

▼ Shown: PUJ-1200E



## Heavy on Performance, Light on Weight

- Lightweight and compact design: 11,8 to 18,6 kg
- Large easy-carry handle for maximum portability
- Two-speed operation reduces cycle times for improved productivity
- 230 VAC 50/60-cycle universal motor will operate under poor voltage supply
- 24 VAC remote motor control, 3 m length for operator safety
- Starts under full load
- High strength molded shroud, with integral handle, protects motor from contamination and damage
- Designed for intermittent duty cycle.

▼ An Economy Pump PUJ-1200E is used with a low-height cylinder RCS-302 to reposition a Scissor lift to simplify maintenance.



### Gauges

Minimize the risk of overloading and ensure long, dependable service from your equipment. For use with the Economy pump the **G-2535L** gauge and **GA-3** gauge adaptor are suggested.

For a full range of gauges, please refer to the System Components section.

Page: **130**



### Hoses

Enerpac offers a complete line of high quality hydraulic hoses. To ensure the integrity of your system, specify only genuine Enerpac hydraulic hoses.

Page: **122**



### Speed Chart

To determine how a specific pump will operate your cylinder, see the Pump-Cylinder Speed Chart in the 'Yellow Pages'.

Page: **273**

Pump Type  (Used with cylinder)	Usable Oil Capacity  (litres)	Model Number *	Pressure Rating (bar)	
			1 <sup>st</sup> stage	2 <sup>nd</sup> stage
Single-Acting	1,9	<b>PUD-1100E</b>	13	700
	3,8	<b>PUD-1101E</b>	13	700
	1,9	<b>PUJ-1200E</b>	13	700
	3,8	<b>PUJ-1201E</b>	13	700
	1,9	<b>PUD-1300E</b>	13	700
	3,8	<b>PUD-1301E</b>	13	700
Double-Acting	1,9	<b>PUJ-1400E</b>	13	700
	3,8	<b>PUJ-1401E</b>	13	700

\* For 115 volt applications replace 'E' suffix with 'B'.

\*\* Electric dump valve for auto-retract of cylinders.

# Economy Electric Pumps



## About the Economy Pump

The Economy pump is best suited to power small to medium size cylinders or hydraulic tools. Its lightweight and compact design make it ideal for applications which require easy transport of the pump. The universal motor works well on long extension cords or generator-driven electrical power supplies.

For further application assistance refer to the 'Yellow Pages'.

### PUD-1100 Series

- Provides advance-retract of single-acting cylinders
- Ideal for punching applications
- For applications not requiring load holding
- 3 m cord with pendant controls motor and valve operation.

### PUD-1300 Series

- Provides advance-hold-retract of single-acting cylinders
- Ideal for applications requiring load-holding
- For applications requiring solenoid valve operations
- 3 m cord with pendant controls motor and valve operation.

### PUJ Series

- Manual valves provide advance-hold-retract tool operation
- Available with 3- and 4-way valves for single or double-acting cylinders
- 3 m cord with pendant controls the motor operation.



Page: 263

## PU Series



Reservoir Capacity:

**1,9 - 3,8 litres**

Flow at Rated Pressure:

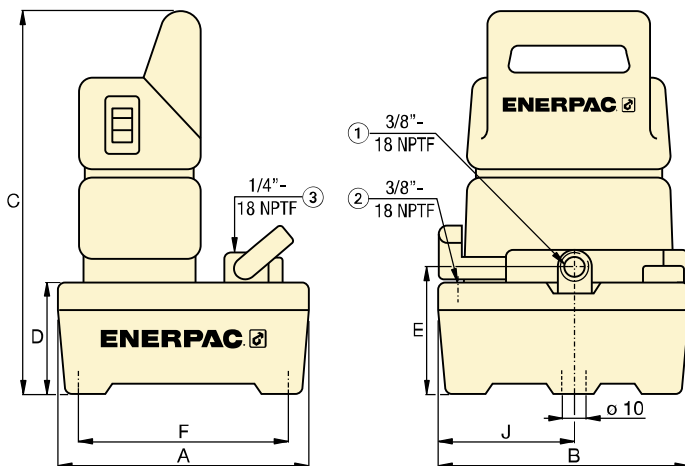
**0,32 l/min**

Motor Size:

**0,37 kW**

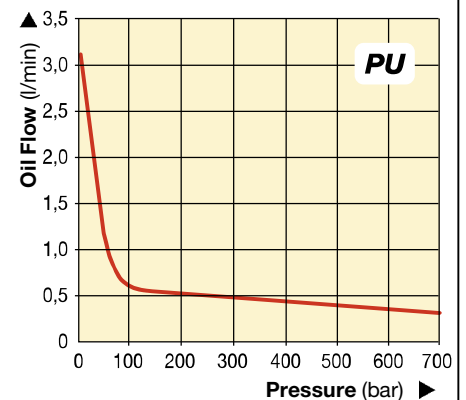
Maximum Operating Pressure:

**700 bar**



- ① Oil Outlet Port
- ② Tank Port
- ③ Gauge Port (PUJ-1200 and PUJ-1201 models only)

## OIL FLOW VERSUS PRESSURE



Output Flow Rate (l/min)	Valve Type	Valve Function	Current Draw (Amps)	Motor Voltage (VAC)	Sound Level (dBA)	Dimensions (mm)							Weight (kg)	Model Number *
						A	B	C	D	E	F	J		
3,31   0,32	Dump**	Advance/Retract	3,2	230	85	244	244	362	101	119	203	133	11,8	PUD-1100E
3,31   0,32			3,2	230	85	368	309	373	105	130	323	142	17,2	PUD-1101E
3,31   0,32	3/2 manual	Advance/ Hold/Retract	3,2	230	85	244	244	362	101	119	203	133	10,0	PUJ-1200E
3,31   0,32			3,2	230	85	368	309	373	105	130	323	142	15,4	PUJ-1201E
3,31   0,32	3/2 solenoid	Dump & Hold	3,2	230	85	244	244	362	101	119	203	133	12,0	PUD-1300E
3,31   0,32			3,2	230	85	368	309	373	105	130	323	142	17,5	PUD-1301E
3,31   0,32	4/3 manual	Advance/ Hold/Retract	3,2	230	85	244	244	362	101	119	203	133	13,2	PUJ-1400E
3,31   0,32			3,2	230	85	368	309	373	105	130	323	142	18,6	PUJ-1401E