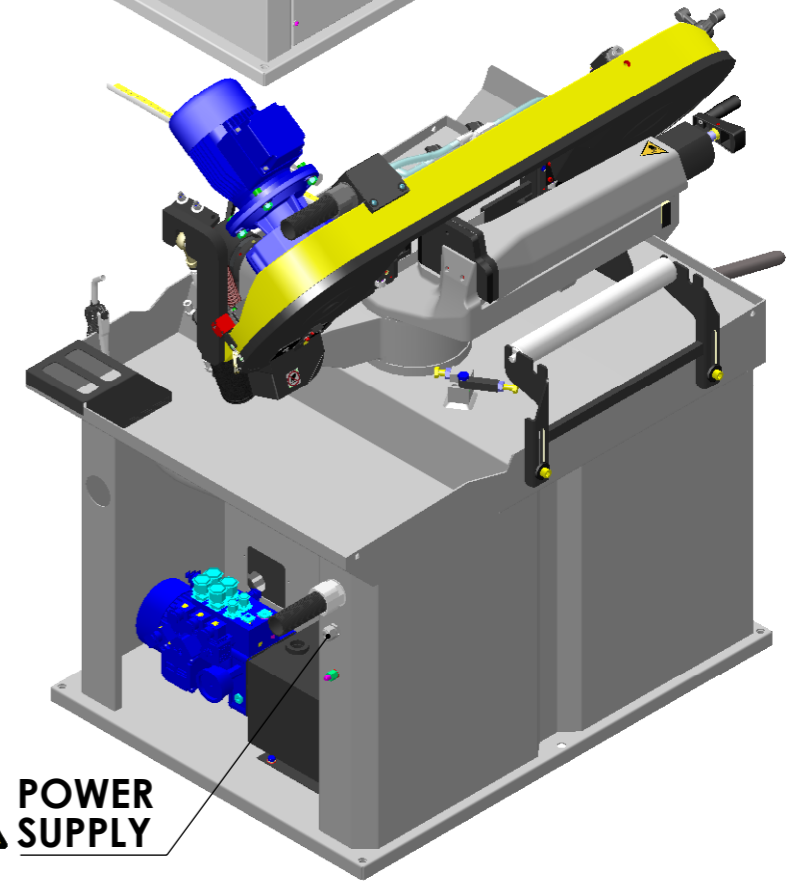
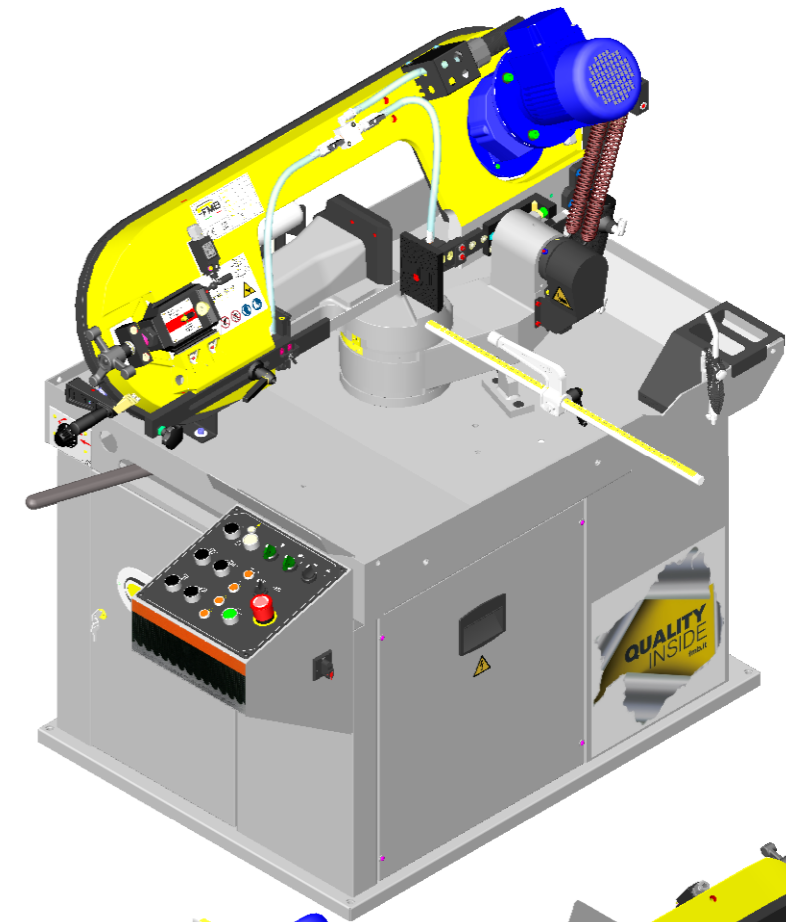
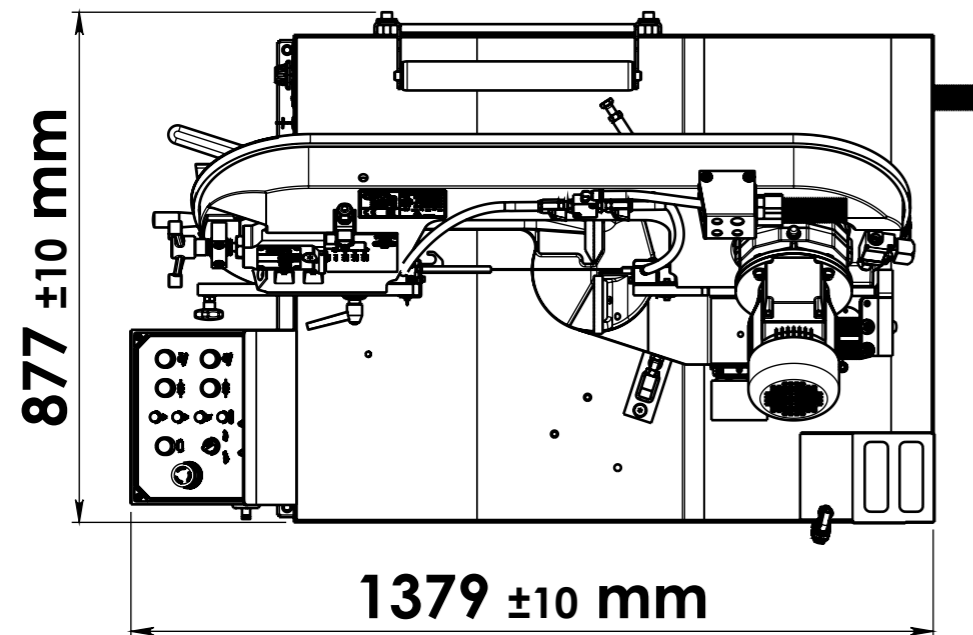
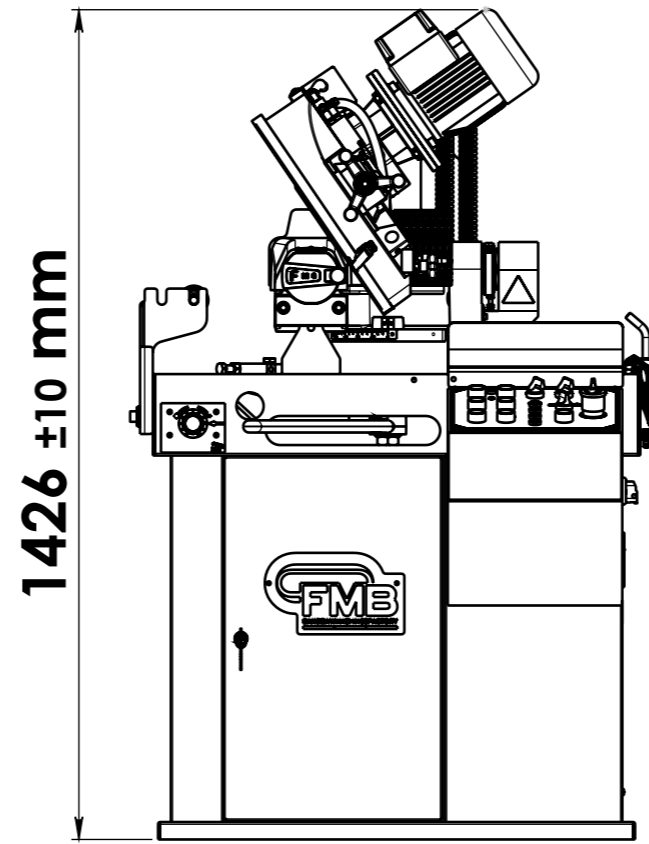
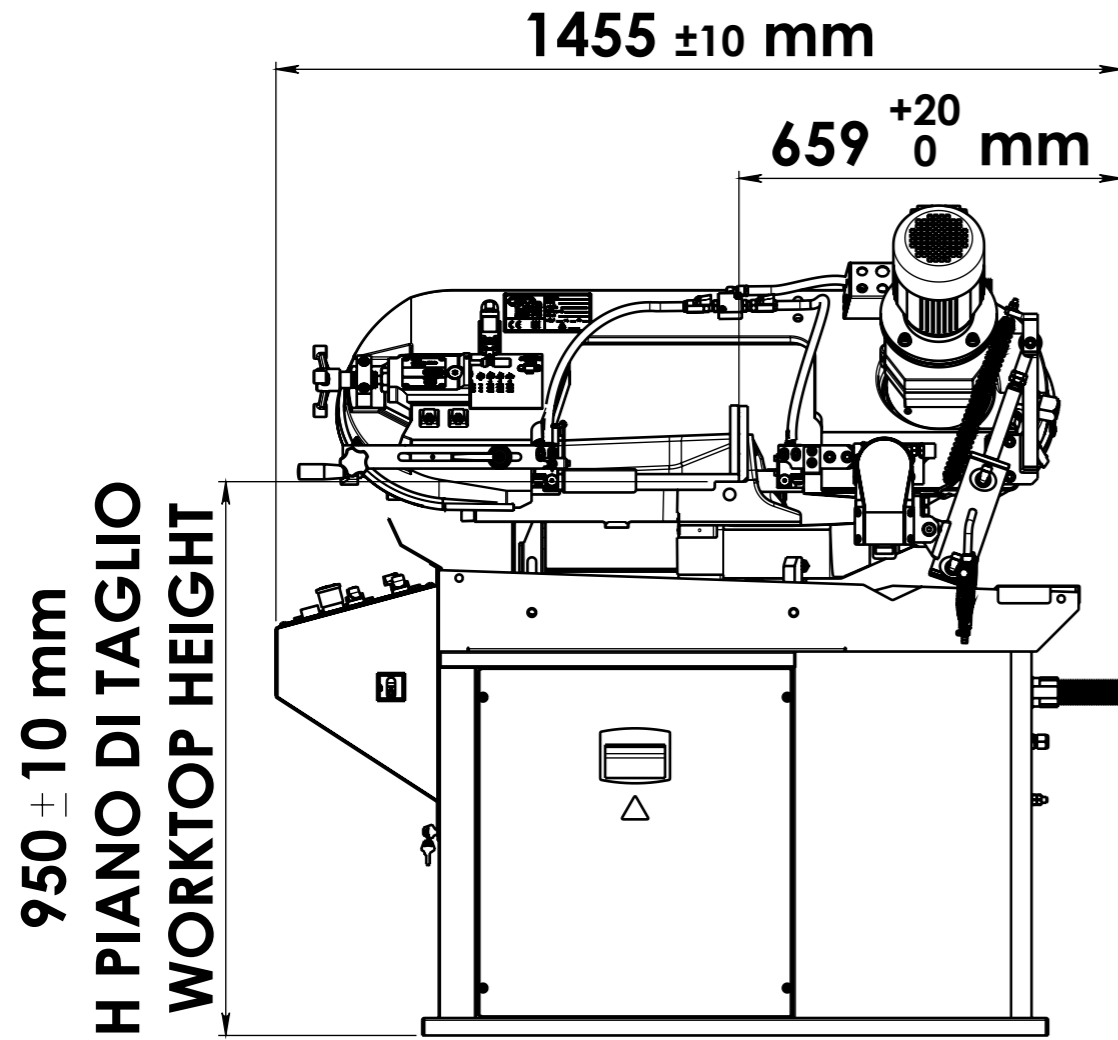


# LAYOUT SIRIUS



|          |            |                    |      |              |
|----------|------------|--------------------|------|--------------|
|          | DATE       | DESCRIPTION        |      |              |
|          | 11-10-2022 | <b>SIRIUS V003</b> |      |              |
| DRAWN BY | -          | SCALE              | SIZE | SHEET 1 OF 1 |
|          |            | 1:13               | A3   |              |

THE INFORMATION IN THIS DRAWING IS THE SOLE PROPERTY OF F.M.B. Srl. ANY REPRODUCTION IN PART OF AS A WHOLE WITHOUT THE PERMISSION OF F.M.B. Srl IS PROHIBITED.