

# BROKK 70

NEW 2019!

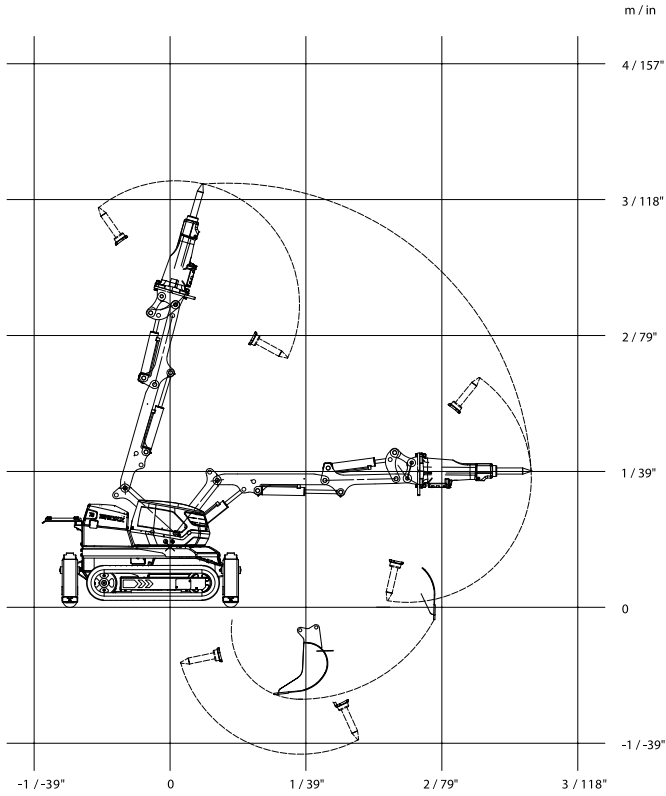


## Great Power in Minimal Spaces

The new **BROKK 70** is the perfect solution for bringing safe and efficient demolition to the most confined spaces. Compared to its predecessor Brokk 60, the Brokk 70 packs more than 100% extra demolition power, comes with the latest innovative Brokk SmartPower™ technology and a fine-tuned hydraulic system that makes it smoother and faster to operate. Still, it keeps the same extremely compact dimensions. Weighing less than 560 kg it fits through the narrowest doorways and can be transported in an ordinary passenger elevator. A demolition robot that eliminates all need for manual demolition work.

- 100% more power!
- 9,8 kW Brokk SmartPower™ electric powertrain
- Outperforms 10 people with jackhammers
- Operates on just 16 A electrical fuse
- Extremely compact – gets through even the smallest of doorways

## RANGE



m / in

4 / 157"

3 / 118"

2 / 79"

1 / 39"

0

-1 / -39"

-1 / -39°

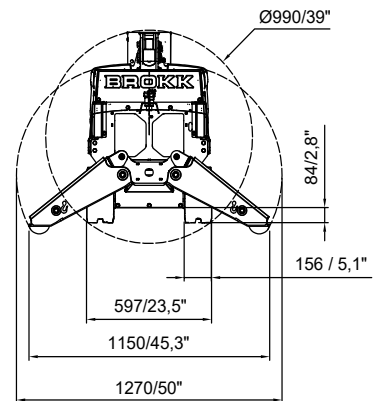
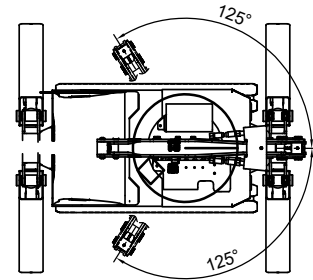
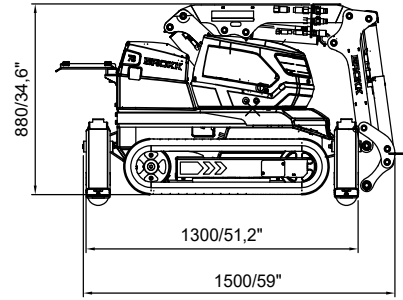
0

1 / 39°

2 / 79°

3 / 118°

## SIZE



## TECHNICAL DATA

Hydraulic breaker in illustrations  
Load and stability diagram available on request

BHB 105

### Performance

Slewing speed 6,5 s/245°  
Transport speed, max. 2,7 km/h; 1,7 mph  
Climbing inclination, max. 30°

### Hydraulic system

Hydraulic system capacity 27 l; 7,1 US gal  
Pump type Variable load-sensing  
System pressure 18 MPa; 2 610 psi  
Pump flow 50Hz and 60Hz 27 l/min; 7 US gal/min

### Power system

Power technology SmartPower  
Electric motor type ABB  
Power\* 9,8 kW  
Recommended fuse size\* 16 A  
Starting device Direct start

### Control system

Control type SmartRemote, portable  
Signal code Digital  
Transfer Professional radio/Cable  
Range, radio Up to 300 m

### Weight

Machine weight\*\* 560 kg; 1 235 lb  
Recommended attachment weight 105 kg; 231 lb

### Noise level

Sound power level LWA\*\*\* 90 dB(A)

\*Valid for 400V/50Hz and 440V/60Hz

\*\*Excluding attachment and extra equipment

\*\*\*Measured according to directive 2000/14/EC

## OPTIONS

### Arm System

Impact and heat protection for cylinder C2 and C3

### Undercarriage

Rubber caterpillar tracks  
Steel caterpillar tracks

### Heat resistance

Steel pads (for machines placed on hot ground)  
Forced draft cooling of machine  
Forced draft cooling of breaker

### Other options

Extra hydraulic function  
Water spray for breaker to bind dust  
Lifting eyes (regular lifting points are standard)

## TOOLS

