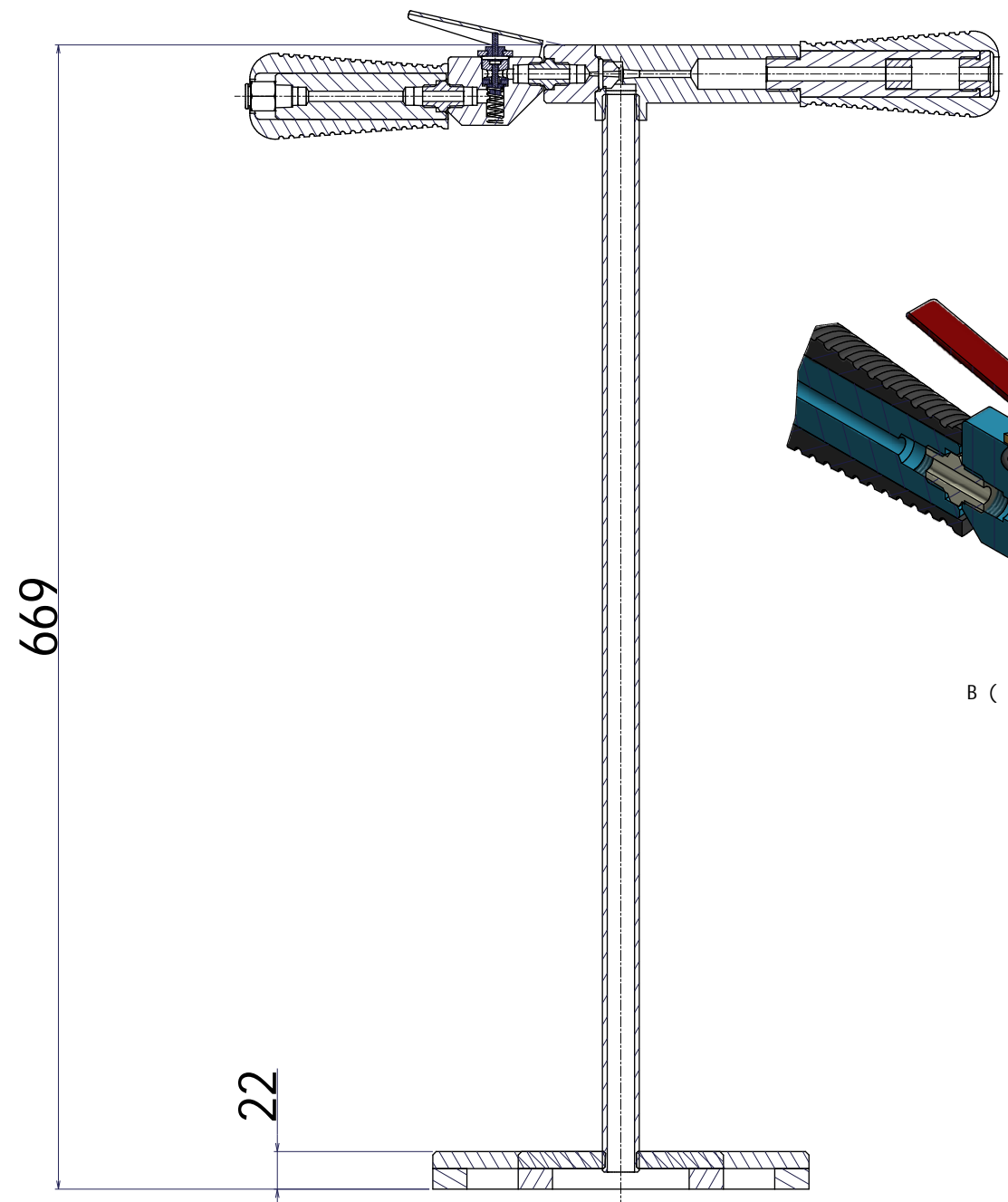


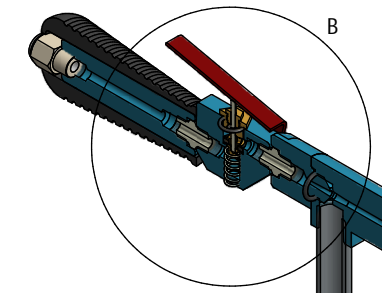
440.5



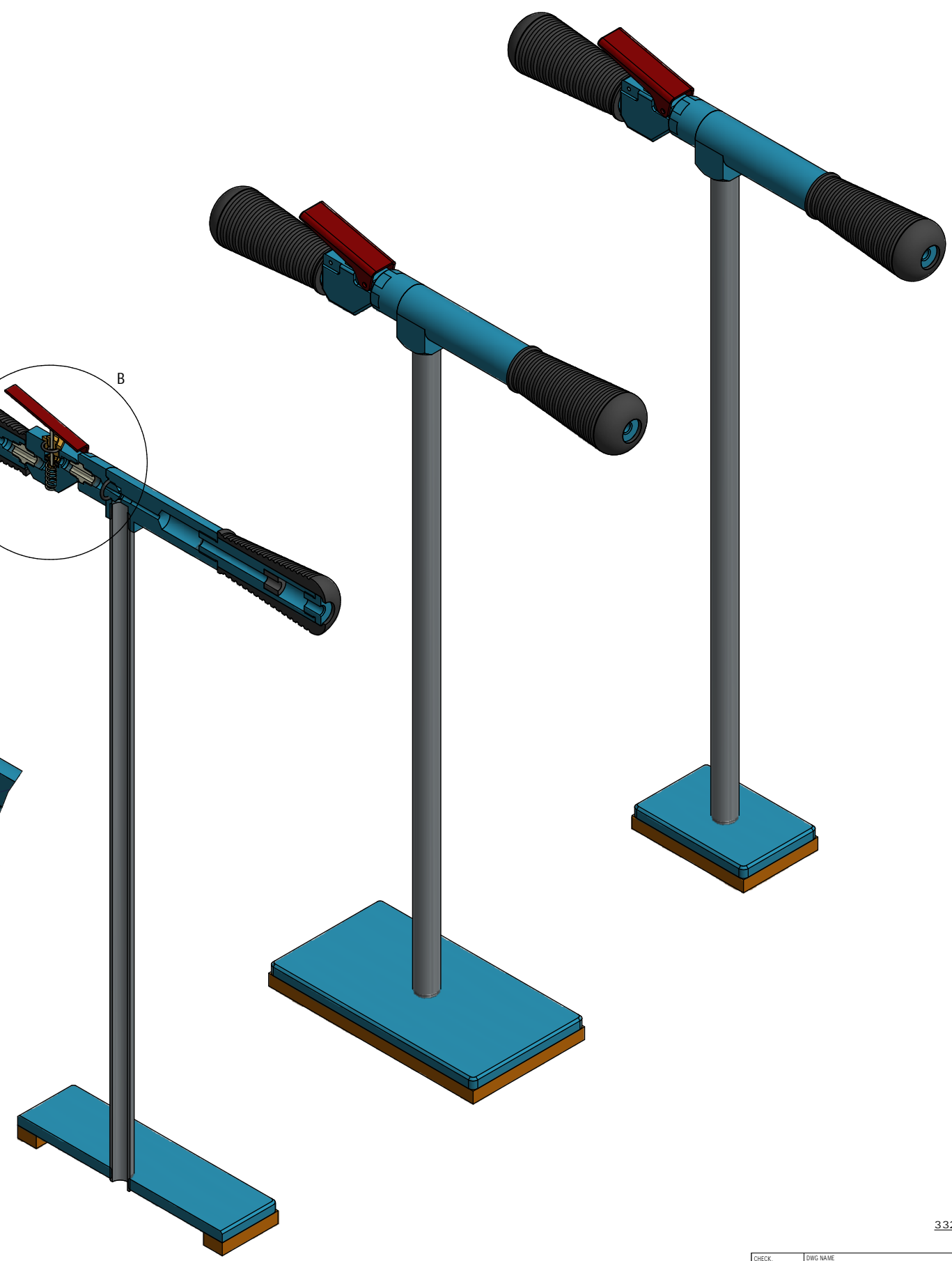
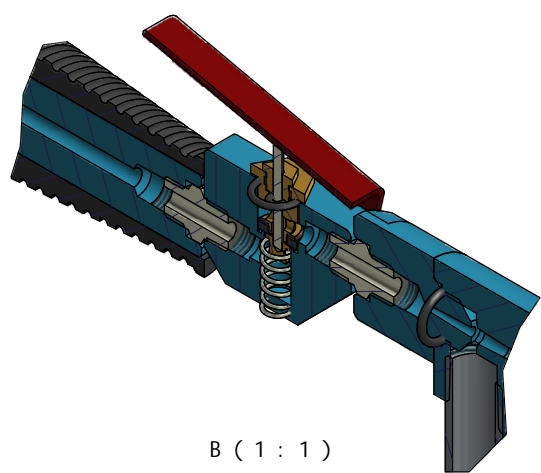
669

22

SECTION A-A (S=1/2)



B (1:1)



3323.6.q

△				CHECK.	CUONG	DWG NAME	
△				SCALE	1/2	DWG NO.	A100-01
△				DATE	11/28/2018	DESIGN	HIEU
△				REVISIONS		DWG.	HIEU
△				NAME			12/3/2018
AARDWOLF						A1	