

SHERPA Z40 P212



ENG V22.10-1



SHERPA
MINI-LOADERS

TECHNICAL DATA

SHERPA Z40 P212

Motor

Manufacturer	Honda
Type	GX690
Capacity	16/22 KW/Hp
Revolutions per minute	3600 rpm
Adjusted amount of revolutions	3000 rpm
Number of cylinders	2
Cooling	Air cooled
Fuel	Petrol (Euro95)
Fuel tank capacity	15 l

Drive system

Hydrostatic through 4 hydraulic wheel motors

Speed

0-8 (proportional) km/h*

Capacity data

Breakout force	726 kg
Tractive force	580 kg*
Hydraulic drive- and working system	42/190 l/bar
Hydraulic tank capacity	42 l

Tires

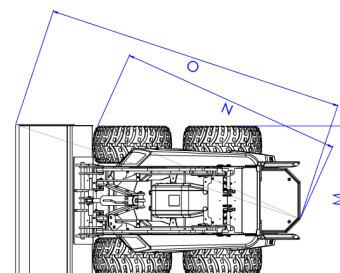
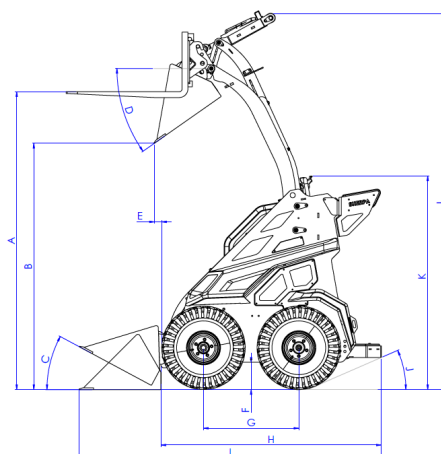
Standard 20x11.00-8 - Trac profile tires

Brakes

Braking system Hydrostatic through 4 hydraulic wheel motors

Steering

Skid steering



Dimensions in mm on standard tyres

A Max. height pallet forks	2051	J Rear angle	23,5°
B Max. dump height	1700	K Height machine	1495
C Angle bucket low	28°	L Total max height	2590
D Bucket angle when dumping	35°	M Width narrow tires	860
E Length from front wheel to bucket when dumping	50	M Width wide tires	1140
F Ground clearance	188	N Turning radius	1664
G Wheelbase	657	O Turning radius with bucket(76cm)	2208
H Length machine (folded footplate)	1519(1345)		
I Length machine with bucket	2075		

* Depending on choice of tires

specifications and features are subject to change without notice

TECHNICAL DATA

SHERPA Z40 P212

Electrical system

Voltage	12 V
Battery capacity	45 Ah

Max. Dimensions (L mm x B mm x H mm, without bucket):

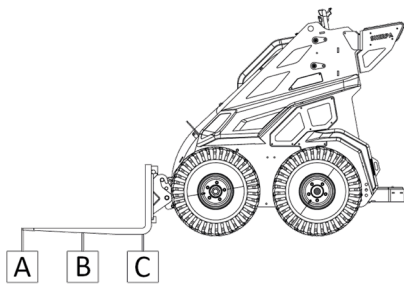
Standard	1519 x 1140 x 1495
----------	--------------------

Kerb weight

816 kg (with standard tires)

Tipping loads (kg)*

Pallet forks low**

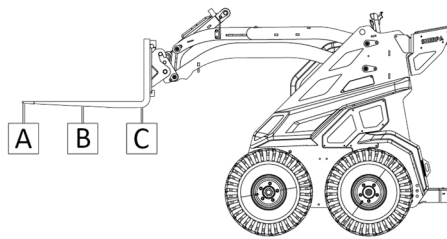


A 300

B 436

C 800

Pallet forks high**



A 210

B 280

C 415

* Including driver 75kg

** Consider a safety factor of 30%

SHERPA Z40 P212

The SHERA Z40 is 114 centimetres wide and strong enough to carry out all heavy tasks for you. This powerhouse is equipped with the exceptionally strong and reliable 22 hp Honda GX690. No job is too big for this machine!

More information?

Call us +31 412 61 33 44

Canadabaan 14 | 5388 RT Nistelrode | www.sherpaminiloaders.com

