

Quick Guide

STB 71



Light application
PP & PET / 9–13 mm



STB 73



Universal application
PP & PET / 13–16 mm



STB 75



Heavy industry application
PP & PET / 16–19 mm



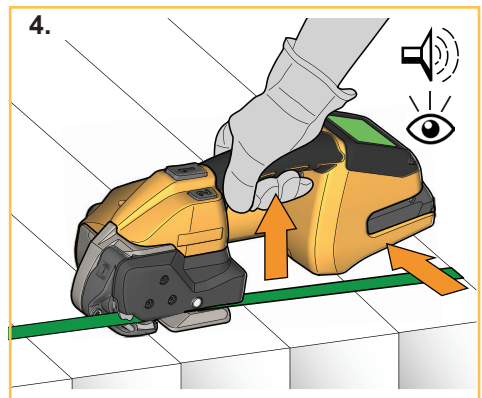
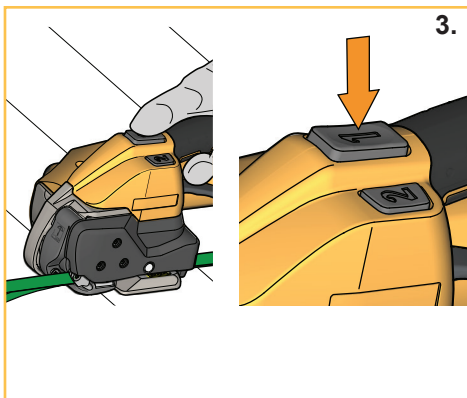
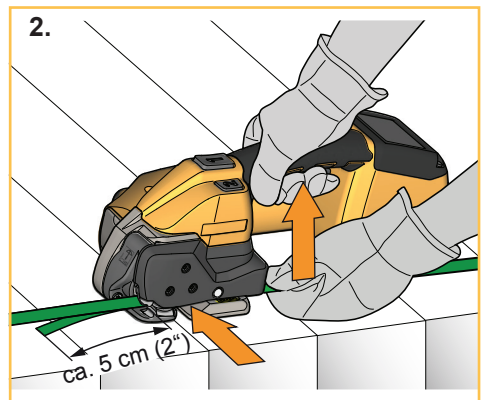
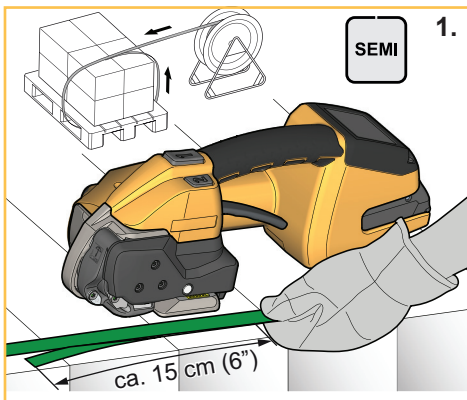
Package content

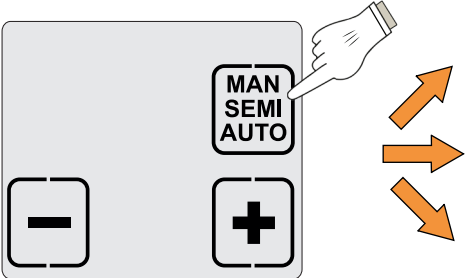
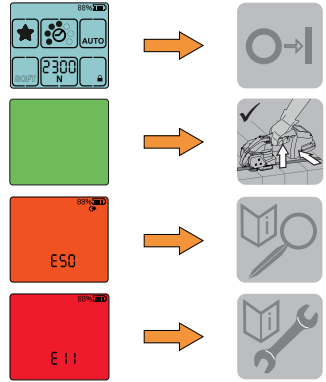
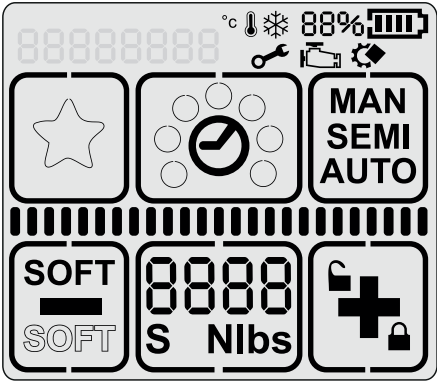


Operation



For safety regulations,
refer to operating instructions!

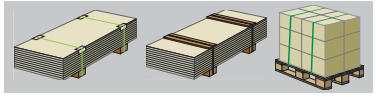




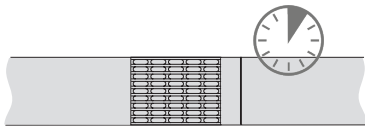
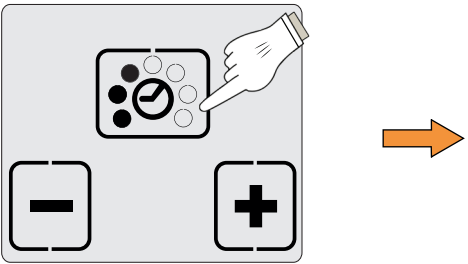
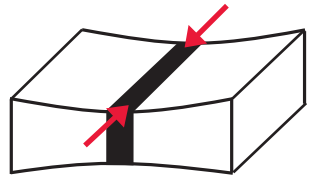
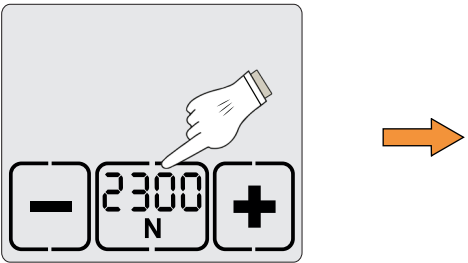
MAN



SEMI



AUTO



Cleaning/replacing wear parts



Accessories



Contact

Strapex
c/o Signode Industrial Group GmbH
Orgapack Packaging Technology
Silbernstrasse 14
Postfach 595
8953 Dietikon 1, SWITZERLAND
www.sigpse.com



strapex