

▼ Shown: GT-Series Bolt Tensioners



Accurate & Reliable Extreme Performance Bolt Tensioner



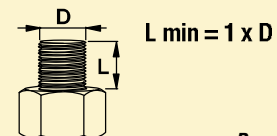
Tensioning Pumps, Hoses and Couplers

High pressure pumps, hoses and fittings matched for use with the Enerpac GT-Series Bolt Tensioning system.

Page: **59**

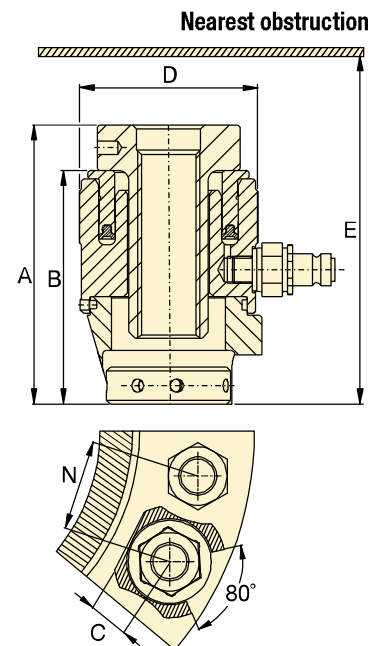


Minimum Stud Protrusion




Page: **80**

- Six load cells from M16 to M95 or from 5/8" to 3 3/4"
- Twin ports for quick connection of multiple tools
- Only one size of bridge per size of load cell
- Detachable and rotational bridge simplifies tool positioning
- Full bridge window
- Piston stroke indicator
- Black surface treatment protects against corrosion
- Anti-slip grip for more secure handling
- Universal and multi-use tool.

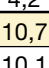


▼ GT-Series bolt tensioner used for tightening blade bolts of wind turbine.



Bolt Range		Load Cell and Bridge Reference	Technical Data			Dimensions (mm)				 (kg)
(mm)	(inch)		Cylinder Effective Area (mm ²)	Load Capacity (kN)	Stroke (mm)	A	B	C	D	
M16-M30	5/8"-1"	GT1-LCB	1495,4	224,3	10	135	113	27	86	3,0
M30-M39	1 1/8"-1 1/2"	GT2-LCB	2677,2	401,5	10	136	111	35	107	4,1
M39-M52	1 1/2"-2"	GT3-LCB	5127,1	768,9	10	160	126	46	138	7,0
M52-M68	2"-2 1/2"	GT4-LCB	9782,1	1466,9	10	180	141	62	174	12,2
M68-M80	2 1/2"-3 1/4"	GT5-LCB	15079,7	2261,4	10	202	157	78	210	18,7
M80-M95	3 1/4"-3 3/4"	GT6-LCB	18972,1	2845,1	10	219	173	82	240	27,8

Hydraulic Bolt Tensioners

Load Cell and Bridge Reference	Thread Size	Adaptor Kit Model Number	Pitch Between Bolts N (mm)	Minimum Height E (mm)	 (kg)
GT1-LCB (224 kN)	M16 x 2	GT1PM-NRS01620	55	169	1,6
	M18 x 2,5	GT1PM-NRS01825	56	165	1,5
	M20 x 2,5	GT1PM-NRS02025	57	165	1,4
	M24 x 3	GT1PM-NRS02430	59	164	1,3
	M27 x 3	GT1PM-NRS02730	62	167	1,2
	M30 x 3,5	GT1PM-NRS03035	65	170	1,0
	5/8"-11UN	GT1P-NRS0625U11	55	169	1,6
	3/4"-10UN	GT1P-NRS0750U10	56	165	1,4
	7/8"-9UN	GT1P-NRS0875U09	59	164	1,3
	1"-8UN	GT1P-NRS1000U08	62	167	1,2
1 1/8"-8UN	GT1P-NRS1125U08	65	170	1,0	
GT2-LCB (401 kN)	M30 x 3,5	GT2PM-NRS03035	71	173	2,6
	M33 x 3,5	GT2PM-NRS03335	74	174	2,4
	M36 x 4	GT2PM-NRS03640	77	177	2,2
	M39 x 4	GT2PM-NRS03940	80	180	1,9
	1 1/8"-8UN	GT2P-NRS1125U08	71	173	2,6
	1 1/4"-8UN	GT2P-NRS1250U08	74	174	2,4
	1 3/8"-8UN	GT2P-NRS1375U08	77	177	2,2
1 1/2"-8UN	GT2P-NRS1500U08	80	180	2,0	
GT3-LCB (769 kN)	M39 x 4	GT3PM-NRS03940	92	212	5,7
	M42 x 4,5	GT3PM-NRS04245	96	215	5,4
	M45 x 4,5	GT3PM-NRS04545	99	218	5,0
	M48 x 5	GT3PM-NRS04850	105	216	4,7
	M52 x 5	GT3PM-NRS05250	108	220	4,2
	1 1/2"-8UN	GT3P-NRS1500U08	92	212	5,7
	1 5/8"-8UN	GT3P-NRS1625U08	96	215	5,3
	1 3/4"-8UN	GT3P-NRS1750U08	99	218	5,0
	1 7/8"-8UN	GT3P-NRS1875U08	105	216	4,6
2"-8UN	GT3P-NRS2000U08	108	220	4,2	
GT4-LCB (1467 kN)	M52 x 5	GT4PM-NRS05250	118	240	10,7
	M56 x 5,5	GT4PM-NRS05655	121	244	10,1
	M60 x 5,5	GT4PM-NRS06055	124	248	9,4
	M64 x 6	GT4PM-NRS06460	127	252	8,8
	M68 x 6	GT4PM-NRS06860	130	256	8,1
	2"-8UN	GT4P-NRS2000U08	118	240	10,7
	2 1/4"-8UN	GT4P-NRS2250U08	121	244	9,7
2 1/2"-8UN	GT4P-NRS2500U08	127	252	8,5	
GT5-LCB (2261 kN)	M68 x 6	GT5PM-NRS06860	145	278	17,3
	M72 x 6	GT5PM-NRS07260	149	282	16,4
	M76 x 6	GT5PM-NRS07660	152	286	15,5
	M80 x 6	GT5PM-NRS08060	162	293	14,6
	2 1/2"-8UN	GT5P-NRS2500U08	144	274	17,8
	2 3/4"-8UN	GT5P-NRS2750U08	149	282	16,3
	3"-8UN	GT5P-NRS3000U08	152	286	14,8
3 1/4"-8UN	GT5P-NRS3250U08	162	293	13,1	
GT6-LCB (2845 kN)	M80 x 6	GT6PM-NRS08060	169	312	22,3
	M85 x 6	GT6PM-NRS08560	169	312	21,0
	M90 x 6	GT6PM-NRS09060	178	317	19,4
	M95 x 6	GT6PM-NRS09560	181	322	18,0
	3 1/4"-8UN	GT6P-NRS3250U08	169	312	20,7
	3 1/2"-8UN	GT6P-NRS3500U08	178	317	18,8
3 3/4"-8UN	GT6P-NRS3750U08	181	322	16,8	

GT Series



Bolt Range:

M16 - M95, 5/8" - 3 3/4"

Maximum Load:

2845 kN

Maximum Operating Pressure:

1500 bar



How to Order

To provide maximum flexibility Load Cell and Bridges are ordered separately from Adaptor Kits.

Example, to order a complete tensioner for a M36 x 4 threaded bolt order:

1 x Load Cell and Bridge: **GT2-LCB**

1 x Adaptor Kit: **GT2PM-NRS03640**



Bolting Integrity Software

A comprehensive on-line software solution for Bolted Joint integrity at www.enerpac.com

Integral databases hold data for:

- BS1560, MSS SP44, API 6A and 17D flanged joints
- Common gasket materials and configurations
- Comprehensive range of bolt materials
- Comprehensive range of lubricants
- Enerpac's Controlled Bolting Equipment including: Torque Multipliers, Hydraulic Wrenches and Bolt Tensioning tools.

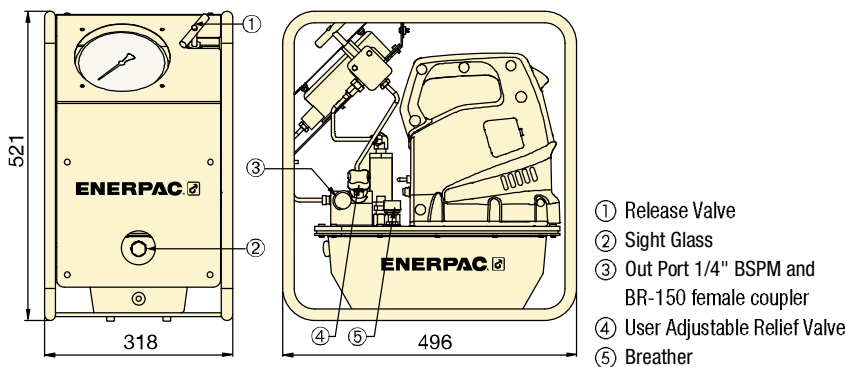
Custom Joint information can also be entered.

The software offers Tool selection, Bolt Load calculations and Tool pressure settings, as well as, a combined Application data sheet and Joint completion report.

▼ ZUTP-1500E



- Two-stage pump design provides high flow at low pressure for fast system fills and controlled flow at high pressure for safe and accurate operation
- 6 m pendant cord enables motor control from a distance
- Angled 153 mm pressure gauge, with polycarbonate cover, built into a protective metal shroud for improved visibility and protection
- Safety relief valve limits output pressure
- Compact, lightweight and rugged aluminium frame for increased durability and ease of handling.



ZUTP Series

Reservoir Capacity:
4,0 litres

Flow at Rated Pressure:
0,13 l/min

Maximum Operating Pressure:
1500 bar



Applications

The Enerpac ZUTP-Series electric pump is ideally suited for use with hydraulic bolt tensioning tools and hydraulic nuts.

Page: **56**



1500 bar hoses and couplers

This pump operates at ultra-high pressure, use only the specified fittings and hoses designed for these pressures.

Page: **59**



Bolting Theory

See our 'Yellow Pages' for information on torque tightening and tensioning.

Page: **72**

1500 bar HIGH PRESSURE PUMP

Pump Type	Useable Oil Capacity (litres)	Model Number ¹⁾	Pressure Rating (bar)	Output Flow Rate at 0 bar (l/min)	Output Flow Rate at 1500 bar (l/min)	Motor Electrical Specification	Motor Size (kW)	Sound Level (dBA)	Weight (kg)
Two speed	4,0	ZUTP-1500 B	1500	2,90	0,13	115 VAC, 1-ph	1,25	89	29,5
	4,0	ZUTP-1500 E ²⁾	1500	2,90	0,13	230 VAC, 1-ph ²⁾	1,25	89	29,5
	4,0	ZUTP-1500 I ³⁾	1500	2,90	0,13	230 VAC, 1-ph ³⁾	1,25	89	29,5

¹⁾ All models meet CE safety requirements and all TÜV requirements.

²⁾ European plug and CE EMC directive compliant.

³⁾ With NEMA 6-15 plug.

High Pressure Hand Pump and Accessories

▼ HPT-1500



- Lightweight and portable high-pressure hand pump
- Two-speed operation displaces a larger volume of oil per stroke, reducing cycle times for many testing applications
- Includes a pressure gauge and coupler for direct connection to Enerpac GT-Series Bolt Tensioners
- Integrated relief valve set at 1500 bar.

HPT, HT, B Series

Reservoir Capacity:

2,5 litres

Flow at Rated Pressure:

0,61 cm³/stroke

Maximum Operating Pressure:

1500 bar



Ultra-high pressure

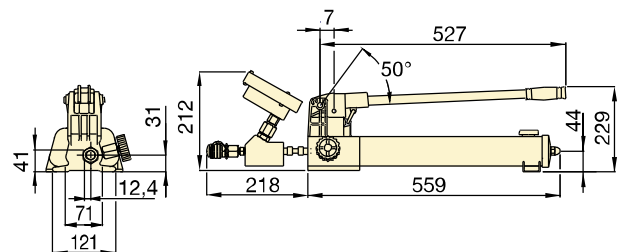
This pump operates at ultra-high pressure, use only the specified fittings and hoses designed for these pressures.



Applications

The hand pump is ideally suited for use with hydraulic bolt tensioning tools and hydraulic nuts.

Page: **56**



1500 bar ULTRA-HIGH PRESSURE PUMP

Pump Type	Useable Oil Capacity (litres)	Model Number	Pressure Rating (bar)		Oil Displacement per Stroke (cm ³)		High Pressure Oil Port with female coupler	⚖️ (kg)
			1st stage	2nd stage	1st stage	2nd stage		
Two Speed	2,54	HPT-1500	14	1500	16,22	0,61	1/4" BSPM + BR-150	9,0

1500 bar HOSES

Model Number	Hose End 1	Hose End 2	Length (m)
HT-1503	1/4" BSPM 120° Cone	1/4" BSPM 120° Cone	1,0
HT-1510	1/4" BSPM 120° Cone	1/4" BSPM 120° Cone	3,0
HT-1503HR*	BH-150	BR-150	1,0
HT-1510HR*	BH-150	BR-150	3,0

* Includes dust caps.

1500 bar COUPLERS

Description	Complete Set	Female Half	Male Half
Quick Disconnect Coupler *	B-150	BR-150	BH-150
Quick Disconnect Coupler and Adaptor Kit *	BW-150AW	-	-
Quick Disconnect Blanking Coupler Set *	B-150B	-	-

* Includes dust caps.