

# SDE-250

## Electrode Drying Oven with Digital Thermostat



The SDE are large containers for drying and storing electrodes. It is easy to move and has a digital thermostat with a high range in storage temperature. After drying, the temperature falls automatically to the recommended pre-set dry-storage temperature of 130 °C (260 °F).

- 250 kg (550 lbs) storage capacity
- 0-400 °C (32-752 °F) storage temperature

Visit [esab.com](http://esab.com) for more information.



### Specifications

Input Voltage	3ph 380 - 415 V (110 - 230 V)
Output Power	4500 W
Output Current	12 A
Dimensions LxWxH	830 x 720 x 1530 mm (28 x 21 x 60 in.)
Weight	225 kg (496 lbs)

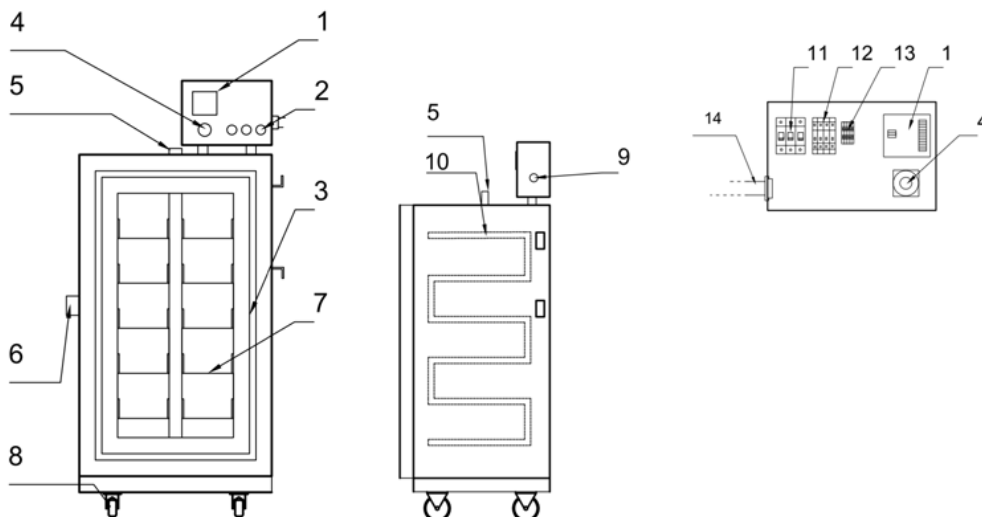
# SDE-250

## Ordering Information

SDE-250 Electrode Drying Oven, 3ph 400V AC 50/60Hz	0700100044
SDE-250 Electrode Drying Oven, 3ph 230V AC 50/60Hz	0700100045

## Wear & Spare Parts

1	Digital Thermostat DT-109A	0700100002
2	Signal Lamp 230V	0700100003
2	Signal Lamp 110V	0700100004
3	Fiberglass Wick SDE-250	0700100050
4	Power Switch	0700100018
5	Air Valve	0700100020
6	Door Handle	0700100006
7	Tray	0700100054
8	Castors without Brake Back	0700100008
8	Castors with Brake Front	0700100009
9	Cable Gland - SDE/SDF	0700100031
10	Heating Element 230V - SDE/SDF	0700100011
10	Heating Element 110V - SDE/SDF	0700100012
11	Contactor 230V	0700100017
11	Contactor 110V	0700100023
12	Fuse (automatic) 10A	0700100015
12	Fuse (automatic) 2A	0700100016
13	Terminal	0700100019
14	Power Cord 400V with plug CEE 5x32A	0700100013
14	Power Cord 110V with plug - SDE/SDF	0700100014



ESAB / [esab.com](http://esab.com)

