

## GAZELLE WELDING SCREEN 200 CM

### Description

The Gazelle welding screen is designed for use in small workplaces or when the use is not very frequent. The screen is produced from zinc plated pipe Ø25 mm, has a weight of approximately 8,75 kg and can easily be moved by hand. Screen is provided with a curtain.

The Gazelle screens can be supplied with curtains in all Cepro colours.

### Application

When work needs to be regularly done in different places or when flexibility in the organization of the working space is required, protection with movable screens can offer a better alternative.

In addition, when one is not continuously using welding equipment, a screen offers a useful solution; after the work is done, the screen can quickly be removed from the work floor.

To apply a curtain which has been fixed on the upper beam to obtain a separation.

### Conditions for use

- The Gazelle welding screen can be handled by one operator.

### Characteristics

This welding screen contain zinc plated longitudinal welded carbon steel tube and zinc plated connection parts. There is no possibility to apply castors on this screen



## GAZELLE WELDING SCREEN 200 CM



### COMPOSITION

- For steel basic welding screen:
- Carbon steel tubes, zinc plated.
- Contain no toxic parts.
- Contain no inflammable parts.
- Contain no electrical parts.

### USE AND HANDLING

Zinc plating surface and curtain will be damaged by open fire or intensive heat. There is a possibility that the screen is not stable by rough, unequal floor conditions. Oil or grease pollution do not have negative effects on the screens condition.

### MAINTENANCE AND SAFETY

- Bolts must be periodic checked at free assembly.
- Beams are only applicable for use of curtains, not for heavy weight products which overload the tubes.
- It is not recommended for hoisting operations.

### FEATURES

Made from longitudinal welded carbon steel tubes. Screen is free moveable in any direction by hand.

Screen will be supplied in loose parts, packed in a solid box, and must be fixed with included metric fasteners by basic tools.

### DESIGN

Distance between floor level and upper beam is 197 cms, total width 200 cms. To obtain a stable construction, both foot profiles do have a length of 60 cms.

## GAZELLE WELDING SCREEN 200 CM



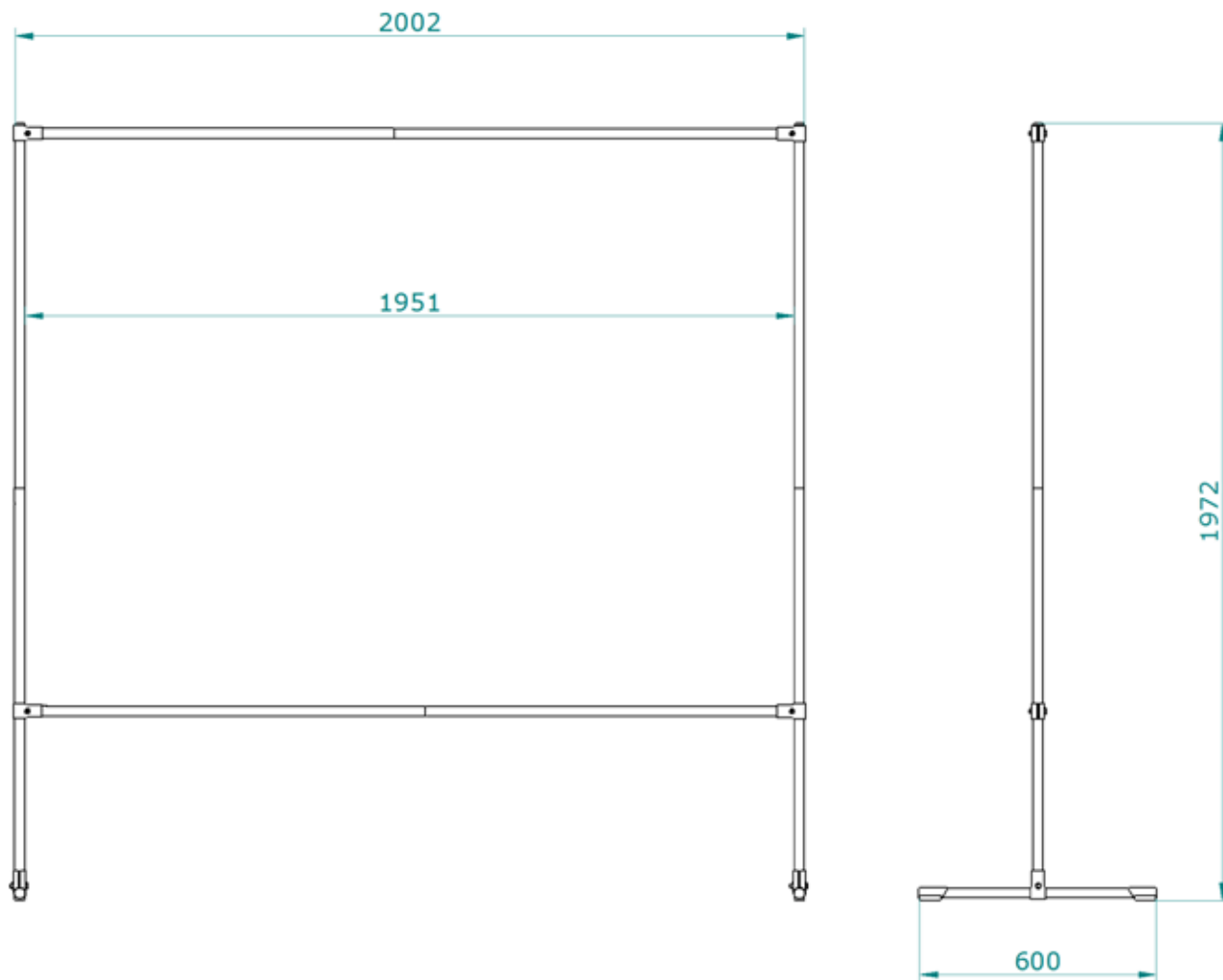
### TECHNICAL SPECIFICATION

Type of welding screen	: light weight screen
Total weight, basic screen	: 8,5 kgs.
Maximum static load beam	: 60 N
Maximum dynamic peak load beam	: 100 N
Range	: free moveable in any directions
Overall size height	: 1972 mm
Functional width	: 2002 mm
Fasteners	: Metric
Castor	: not included
Operation	: by hand
Finishing	: zinc plated
Materials	: steel tube
Application	: for internal use

## GAZELLE WELDING SCREEN 200 CM



### DIMENSIONS GAZELLE SCREEN 200 CM



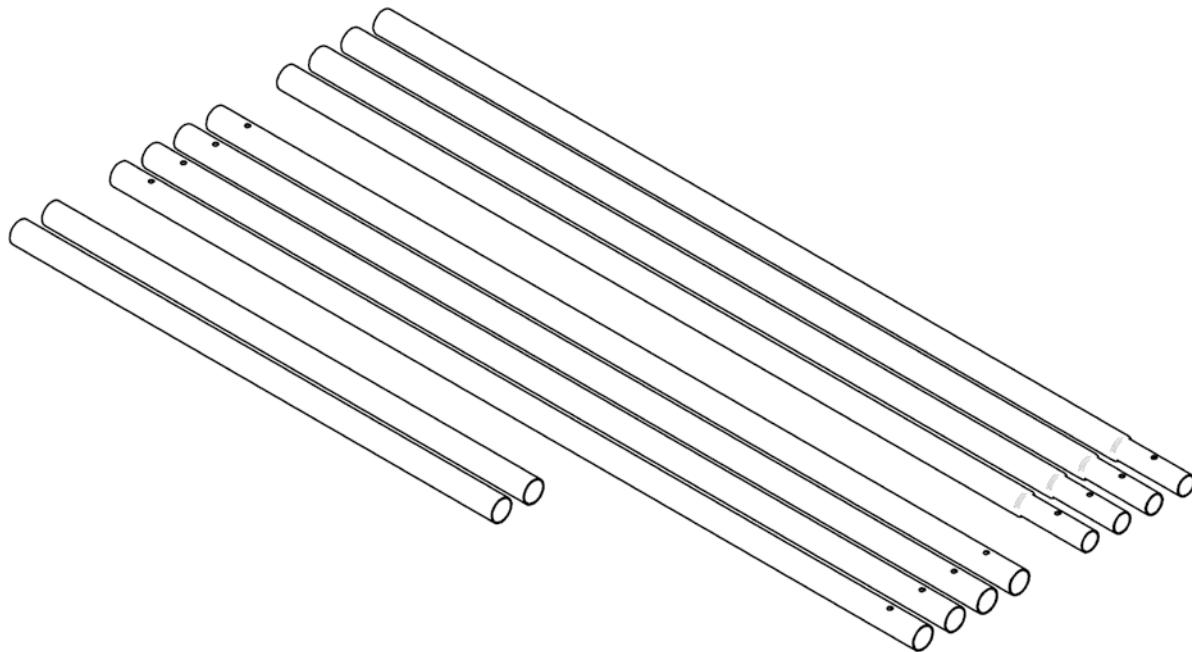
Version 002 - Check our website for the latest version.

CEPRO\_PFS\_Welding screens\_Gazelle\_200cm\_EN

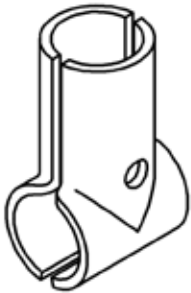

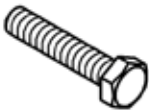

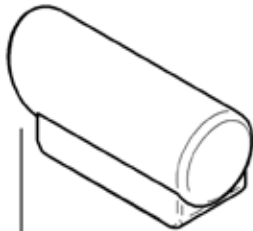
**GAZELLE WELDING SCREEN 200 CM**



**PART LIST - BASIC PARTS GAZELLE WELDING SCREEN 200 CM**



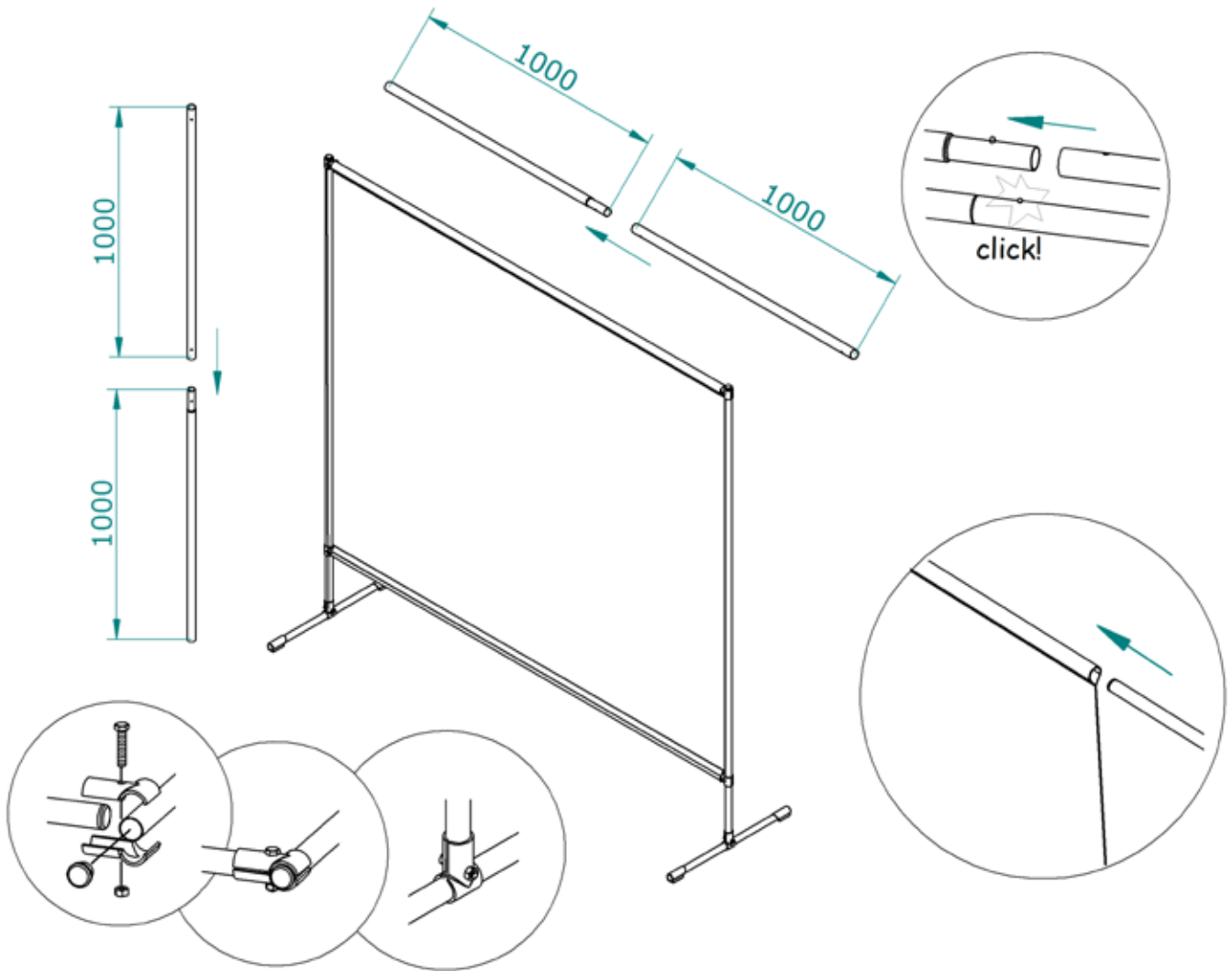
**PART LIST ACCESSOIRES GAZELLE WELDING SCREEN 200 CM**

	M8	M8x40	Ø25	Ø25
				
6x	6x	6x	8x	4x

## GAZELLE WELDING SCREEN 200 CM



### MOUNTING INSTRUCTION GAZELLE WELDING SCREEN 200 CM



Version 002 - Check our website for the latest version.

CEPRO\_PFS\_Welding screens\_Gazelle\_200cm\_EN