

# MOTOMAN GP88

Handling & General Applications  
with the GP-series

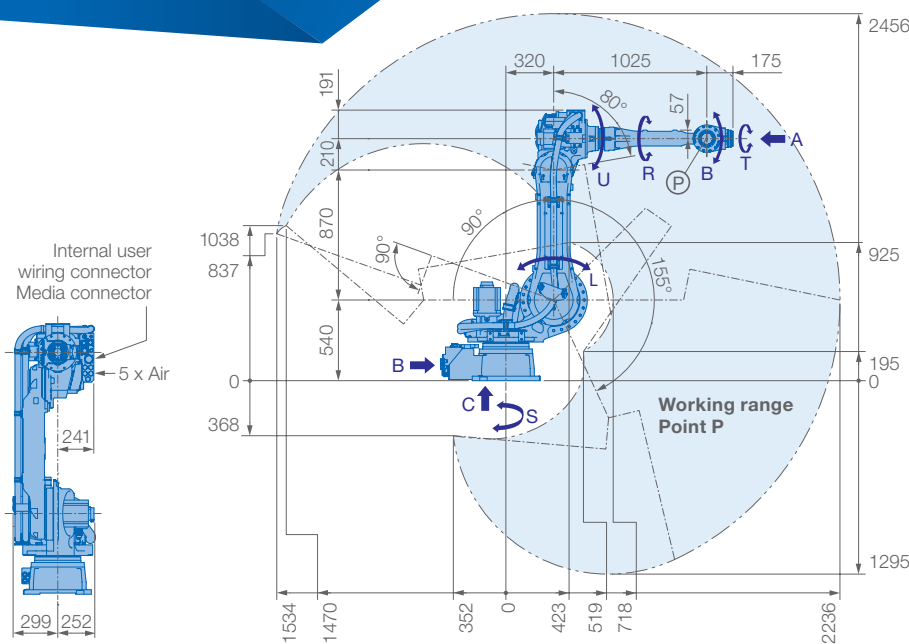


The MOTOMAN GP88 is a versatile high speed 6-axis robot, providing a high payload of up to 88 kg. It offers superior performance in material handling, machine tending, processing and dispensing applications.

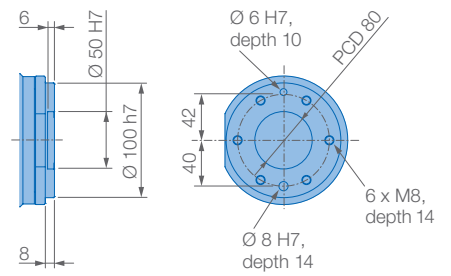
Despite its slim body, the MOTOMAN GP88 features a wide work envelope with a small interference radius. Thereby it can be placed close to machines for loading and unloading of parts, which reduces the required floor space to a minimum.

## KEY BENEFITS

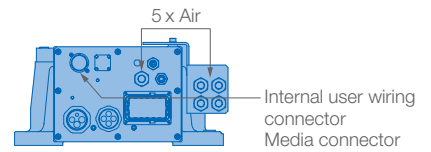
- Flexible and powerful (payload of 88 kg)
- High axis speeds
- Improved wrist ratings provide higher handling capacity
- Small interference radius reduces floor space requirements



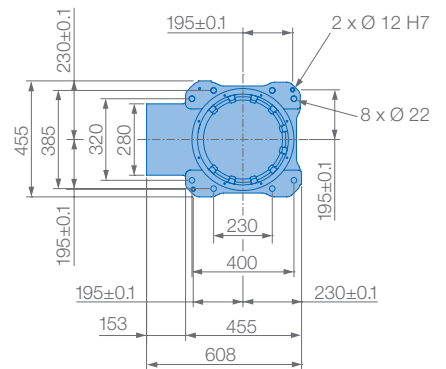
View A



View B



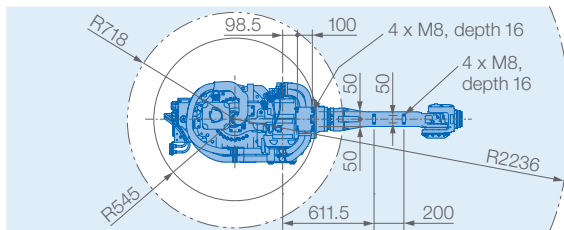
View C



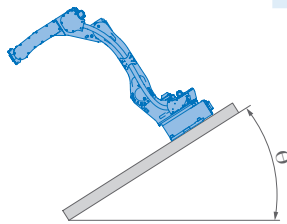
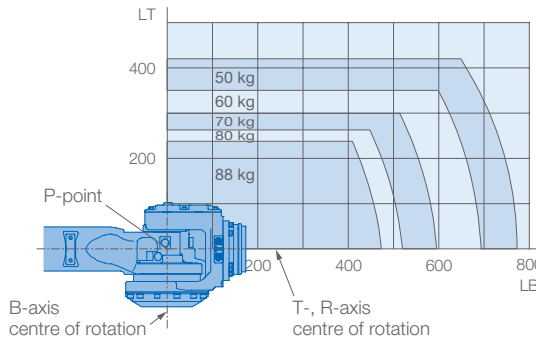
Mounting options: Floor, ceiling, wall, tilt\*

Protection class: IP54/67  
**Please notice:** Just valid for body/wrist, connector base not protected

\* tilt with condition of angle – see table left side



Allowable wrist load



Robot installation angle $\theta$ [deg.]	S-axis operating range [deg.]
$0 \leq \theta \leq 30$	$\pm 180$ (Standard)
$30 < \theta \leq 35$	$\pm 60$
$35 < \theta \leq 45$	$\pm 45$
$45 < \theta$	$\pm 45$

Specifications GP88					
Axes	Maximum motion range [°]	Maximum speed [°/sec.]	Allowable moment [Nm]	Allowable moment of inertia [kg · m <sup>2</sup> ]	Controlled axes
S	$\pm 180$	170	–	–	6
L	+155/–90	140	–	–	Max. payload [kg]
U	+90/–80	160	–	–	88
R	$\pm 360$	230	408	30	Repeatability [mm]
B	$\pm 125$	230	408	30	$\pm 0.07$
T	$\pm 360$	350	206	11	Max. working range R [mm]
					2236
					Temperature [°C]
					0 to +45
					Humidity [%]
					20 – 80
					Weight [kg]
					630
					Power supply, average [KVA]
					4.0

YASKAWA Europe GmbH

Robotics Division  
 Yaskawastraße 1  
 85391 Allershausen  
 Germany

Tel. +49 (0) 8166 90-0  
 robotics@yaskawa.eu.com  
 www.yaskawa.eu.com

YR-1-06VX88-A00  
 A-06-2018, A-No. 195936