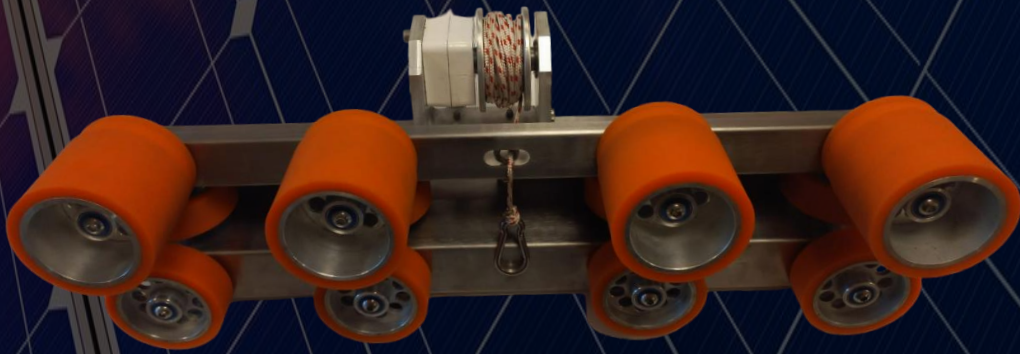




RTM PRO ANTI-SLIP DEVICE DATASHEET

Anti-Slip Device is used in RTM PRO series robots for safety purposes at slopes above 25°.



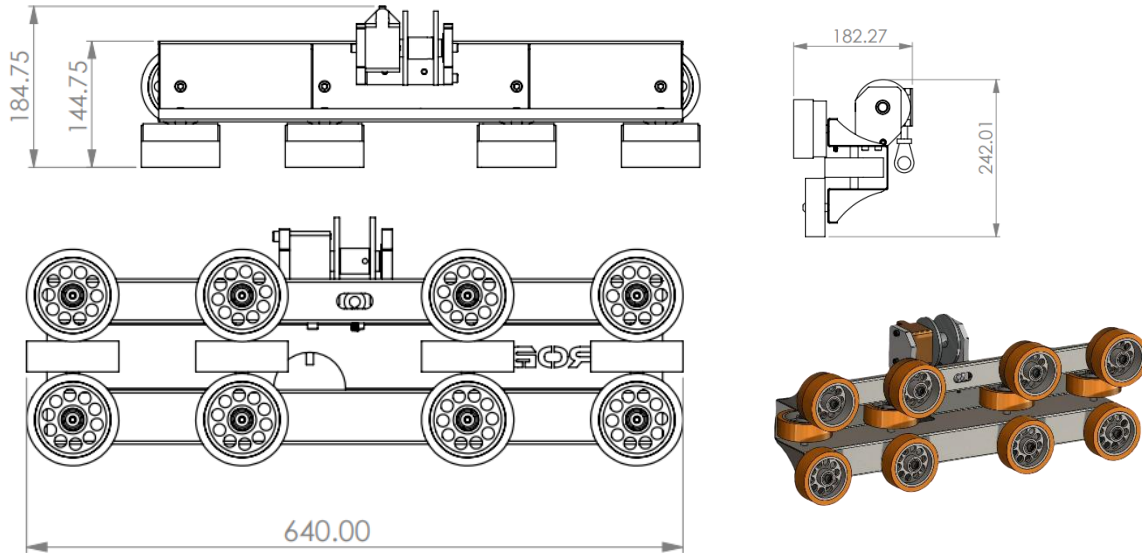
Since the product information, descriptions and images in this document are used for promotional purposes, Robsys reserves the right to make changes and innovations in the information, descriptions and visual changes of the products without prior notice.



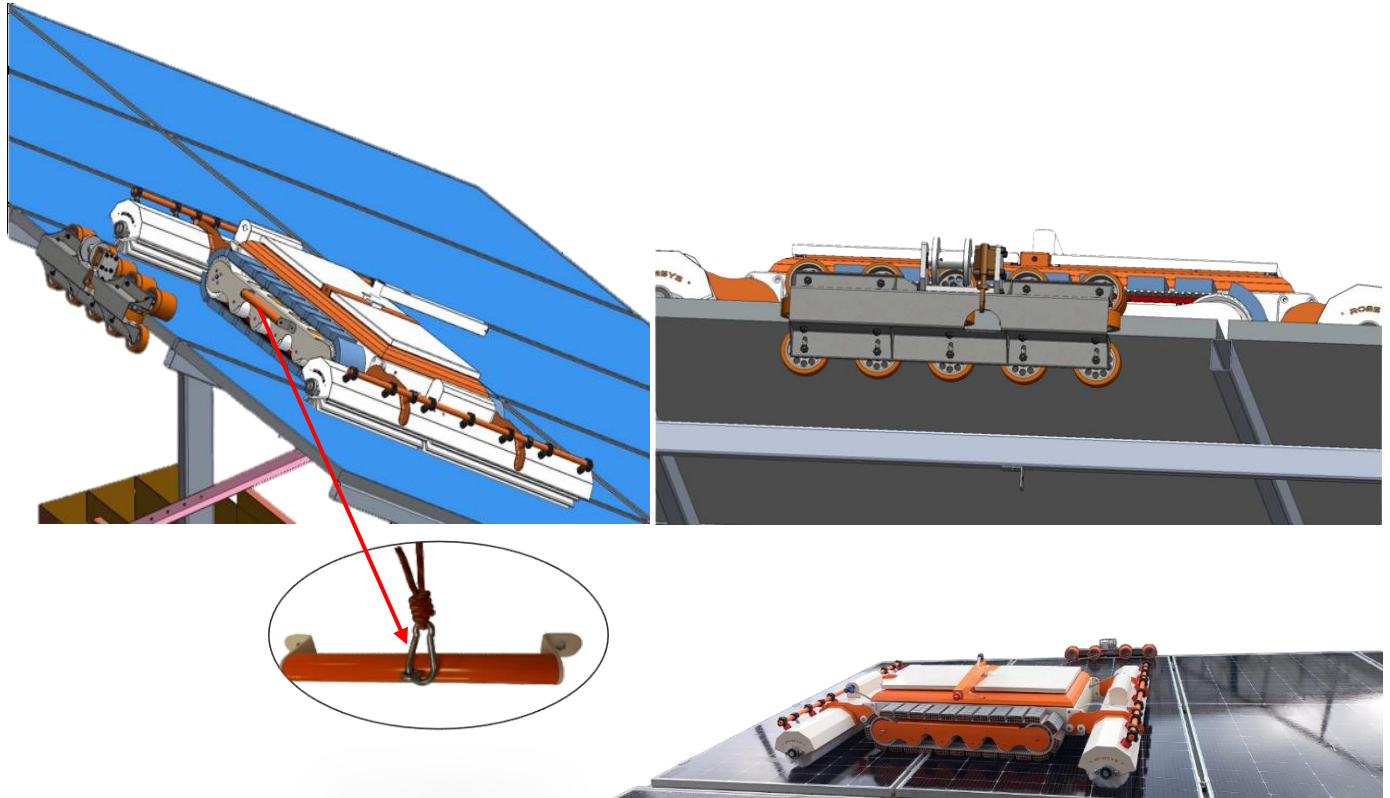
MECHANICAL PROPERTIES

Application Area	Land Projects
Dimensions (width*length*height)	184,75 x 640 x 242,01 (mm)
Weight	7,2 kg
Rope Length	5 m

MECHANICAL DIMENSIONS



MOUNTING ON SOLAR PANEL



Note: The panel construction should not interfere with the movement of the suspension wheel.