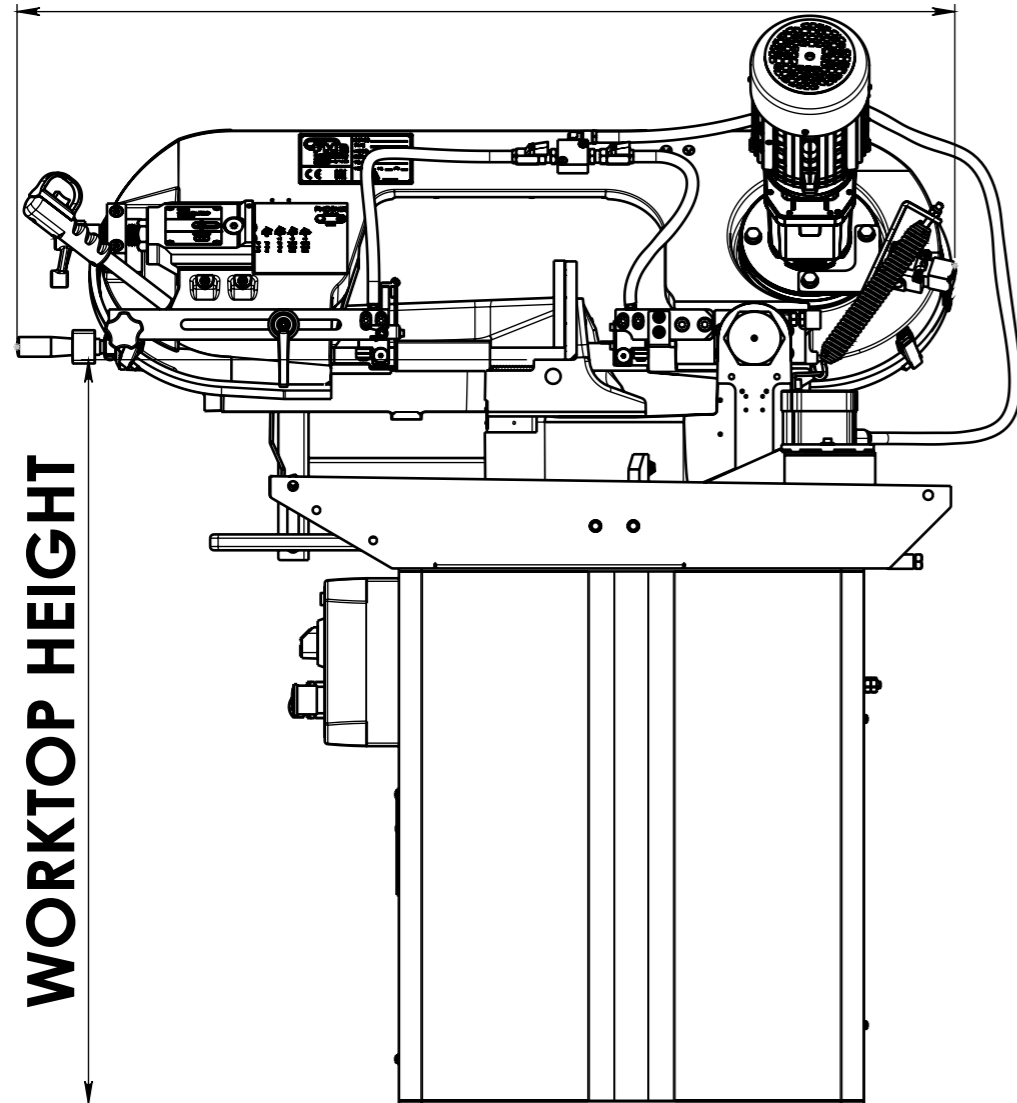


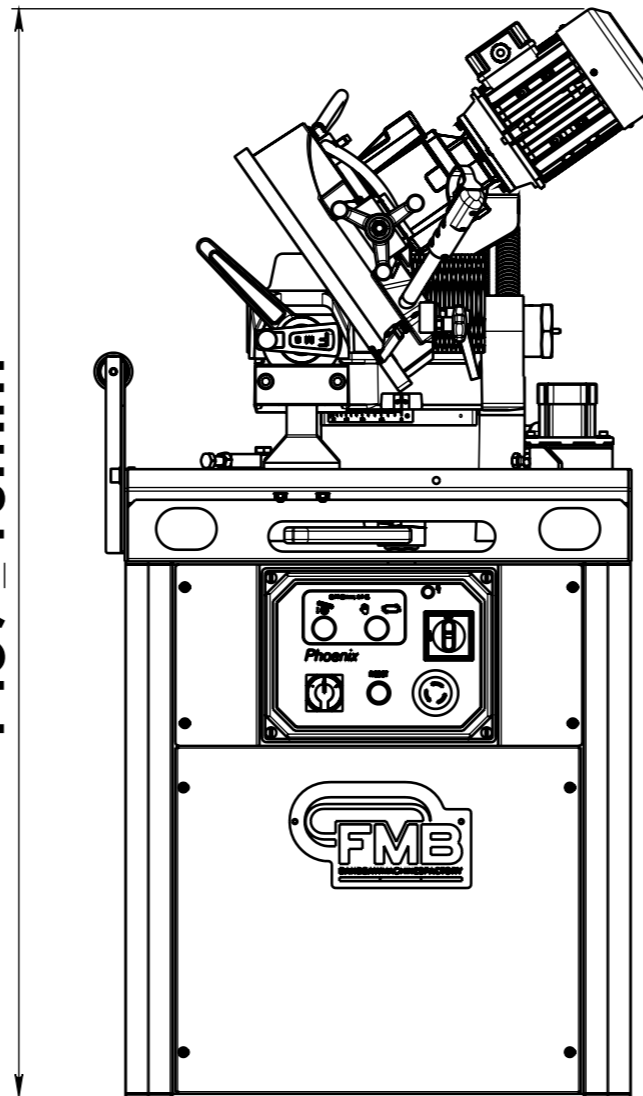
# LAYOUT PHOENIX

1240 ± 10mm



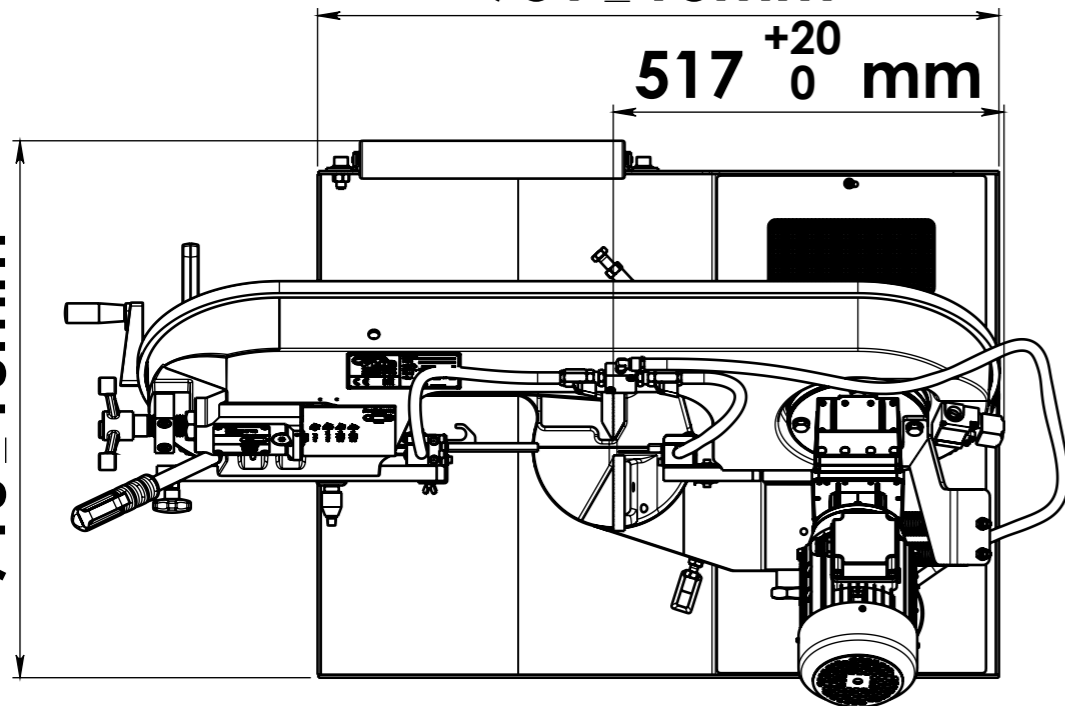
985 ± 10mm  
H PIANO DI TAGLIO  
WORKTOP HEIGHT

1439 ± 10mm

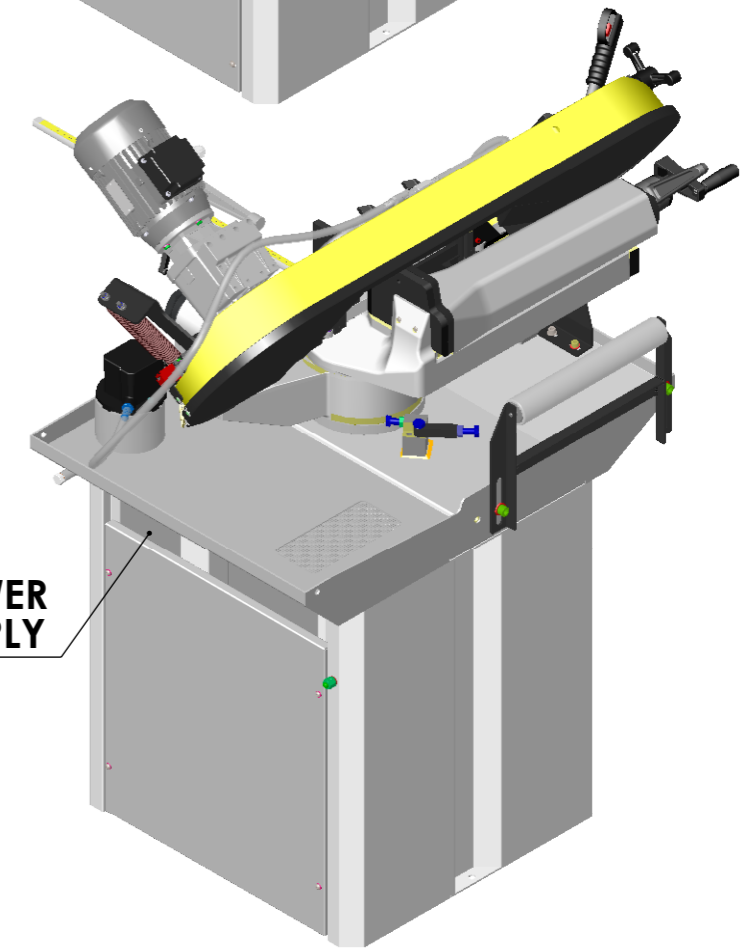
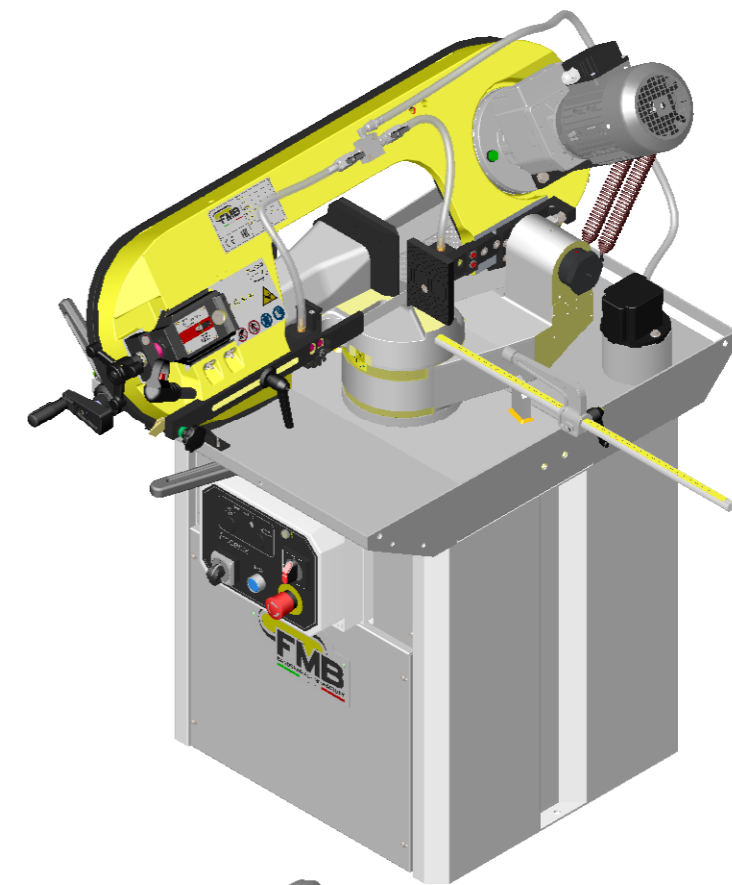


901 ± 10mm

517<sup>+20</sup><sub>0</sub> mm



710 ± 10mm



⚡ POWER SUPPLY

	DATE	DESCRIPTION		
	11-10-2022	<b>PHOENIX V004</b>		
DRAWN BY	-	SCALE	SIZE	SHEET 1 OF 1
		1:10	A3	

THE INFORMATION IN THIS DRAWING IS THE SOLE PROPERTY OF F.M.B. Srl. ANY REPRODUCTION IN PART OF AS A WHOLE WITHOUT THE PERMISSION OF F.M.B. Srl IS PROHIBITED.