

LYFTMAN CRANE SYSTEMS AND JIB CRANES

IMPROVED, QUICK AND SMOOTH MANUAL OPERATION

Low-weight, aluminium cranes with swivelling suspensions and hoist trolleys with double guide rollers and lubricated double sealed ball bearings.

LONG SERVICE LIFE AND HIGH CORROSION RESISTANCE

Automatic powdercoating line. Better environmental choice!

PERSONAL SAFETY FIRST!

Lyftman LR-System is thirdparty tested in compliance with the EC Machine Directive.

EASY TO INSTALL

Self-adjusting joint concept.

INFREQUENT SUPPORT POINTS?

Span up to 8 metres between supports.



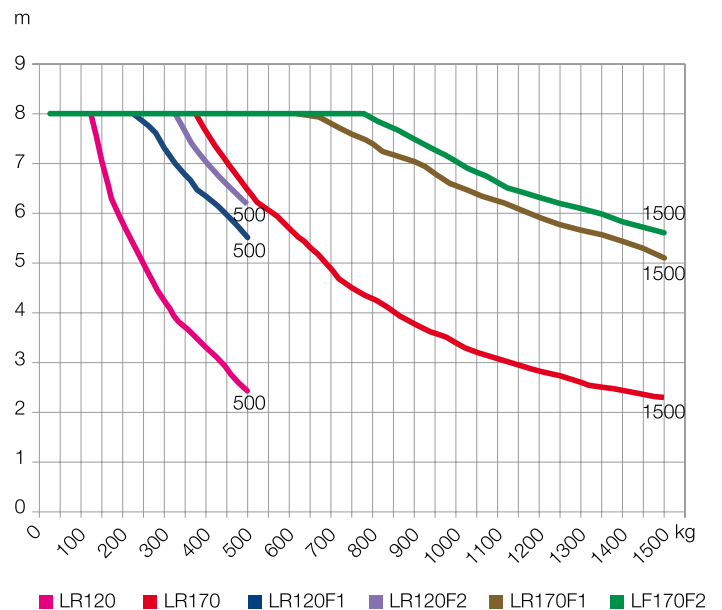
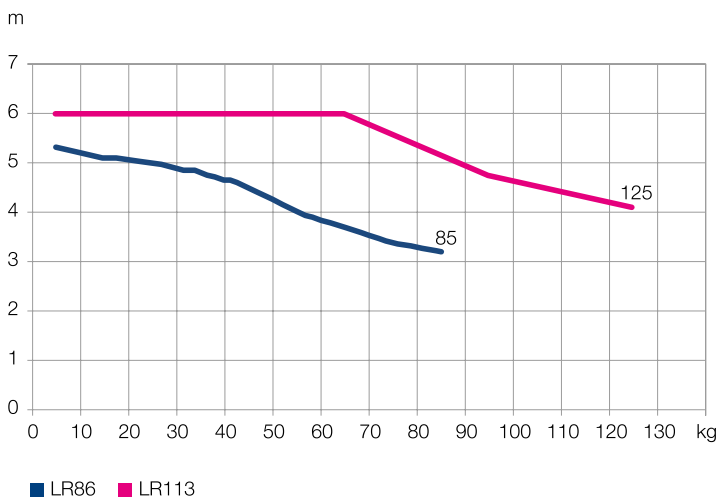
CALL +46 (0)300 185 00 or email info@tawi.se FOR MORE INFO

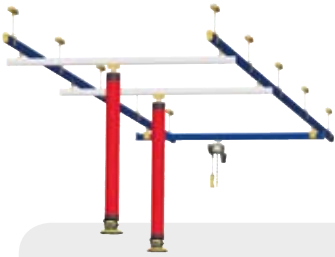


- Lyftman profiles, load capacity up to 1500 kg
- Overhead cranes and jib cranes
- Aluminium profiles (LR86, LR113) for smooth manual operation
- Steel profiles (LR120, LR170) for heavy-duty performance

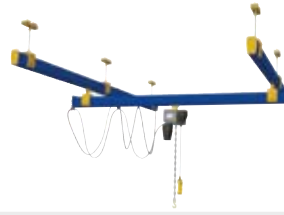
<p>1. LRAP Column mounted jib arm, arm in aluminium max 125 kg.</p>	<p>4. Curves</p>	<p>7. Twin girder crane systems.</p>	<p>10. The bracket supports the steel tube to which a U-suspension is attached.</p>	<p>13. Solution for low head room; a steel support is installed into the side of the concrete beam.</p>	<p>16. Ceiling suspension mounted directly into the cement ceiling.</p>
<p>2. UPM Underbraced, column mounted jib crane, arm in steel profile, max 80 kg.</p>	<p>5. Monorail</p>	<p>8. Low head room solutions.</p>	<p>11. Clamp to hold a U-suspension support point. No drilling required!</p>	<p>14. Install into the side of the curved concrete beam and support at the lowest part of the beam.</p>	<p>17. Extensions and struts are used to reach the desired level of suspension for the lifting equipment.</p>
<p>3. Floor mounted overhead crane system LR120 steel profiles.</p>	<p>6. Combined systems, aluminium and steel bridges.</p>	<p>9. Bracket for concrete beam holds the square steel tube which is support point for a U-suspension.</p>	<p>12. I-beam suspension, extended version. No modifications to supporting structures necessary.</p>	<p>15. U-suspension in a freestanding construction.</p>	

SEE LOAD DIAGRAMME BELOW FOR CORRECT CHOICE OF PROFILE (MAX LOAD KG) AND DISTANCE BETWEEN SUSPENSION (M)!





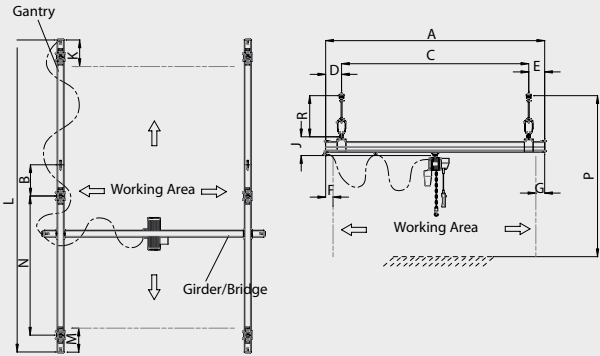
For productions lines with several working stations. A separate girder is installed for each station. There is no limit to the length of this gantry, 50-60 metres is common.



Basic overhead x-y crane system. Competitive pricing, fast deliveries, high quality and easy installation is the secret behind this popular solution.

Lyftman single girder crane systems max 1500 kg

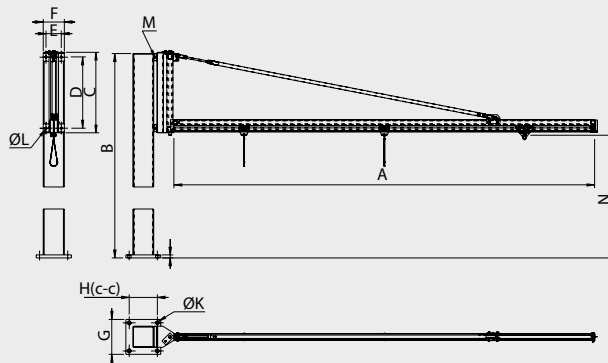
Profile type		40 kg	60 kg	80 kg	125 kg	250 kg	500 kg	1000 kg	1500 kg
LR86	N max	3750	3200	2900					
	M	80	80	80					
	K	L/1,5*70+G	L/1,5*70+G	L/1,5*70+G					
	A max	4000	3400	3000					
	R	150-778	150-778	150-778					
	J	150	150	150					
	G	80	80	80					
	F	L/1,5*70+G	L/1,5*70+G	L/1,5*70+G					
LR113	N max	6000	5200	4700	3900				
	M	110	110	110	110				
	K	L/1,5*70+G	L/1,5*70+G	L/1,5*70+G	L/1,5*70+G				
	A max	6000	6000	5300	4400				
	R	200-828	200-828	200-828	200-828				
	J	190	190	190	190				
	G	110	110	110	110				
	F	L/1,5*70+G	L/1,5*70+G	L/1,5*70+G	L/1,5*70+G				
LR120	N max	8000	8000	7000	6100	4700	2300		
	M	105	105	105	105	105	220		
	K	L/1,5*70+G	L/1,5*70+G	L/1,5*70+G	L/1,5*70+G	L/1,5*70+G	L/1,5*70+G		
	A max	8000	8000	8000	7100	5300	3700		
	R	285-883	285-883	285-883	285-883	285-883	285-883		
	J	250	250	250	250	250	250		
	G	105	105	105	105	105	220		
	F	L/1,5*70+G	L/1,5*70+G	L/1,5*70+G	L/1,5*70+G	L/1,5*70+G	L/1,5*70+G		
LR170	N max	-	-	8000	8000	8000	6300	3300	2300
	M	-	-	110	110	110	110	230	230
	K	-	-	L/1,5*70+G	L/1,5*70+G	L/1,5*70+G	L/1,5*70+G	L/1,5*70+G	L/1,5*70+G
	A max	-	-	8000	8000	8000	7100	3900	2700
	R	-	-	285-883	285-883	285-883	285-883	285-883	285-883
	J	-	-	250	250	250	250	250	250
	G	-	-	110	110	110	110	230	230
	F	-	-	L/1,5*70+G	L/1,5*70+G	L/1,5*70+G	L/1,5*70+G	L/1,5*70+G	L/1,5*70+G
B	-	-	150-3950	150-3950	150-2500	150-900	150-400	150-250	



Lyftman LRAV jib arm in aluminium, max 125 kg



*The jib arm delivery includes arm and bracket, 1 pce trolley for lifting equipment, 3 pcs trolley for air tube with leather strap, end stop, load signs and 4 pcs bolt.



Jib arm* LRAV (mm)										
Type	Load (kg)	A	C	D	E	F	L	N	Arm profile	Weight (kg)
LRAV2/80	40-80	2000	577	507	110	150	14	3035	LR86	15
LRAV3/80	40-80	3000	577	507	110	150	14	3035	LR86	19
LRAV4/40	40	4000	577	507	110	150	14	3035	LR86	22
LRAV5/40	40	5000	577	507	110	150	14	3035	LR86	27
LRAV4/60	60	4000	577	507	110	150	14	3035	LR86	23
LRAV6/40	40	6000	860	800	150	200	18	3050	LR113	65
LRAV4/80	80	4000	860	800	150	200	18	3050	LR113	55
LRAV5/80	80	5000	860	800	150	200	18	3050	LR113	60
LRAV2/125	125	2000	860	800	150	200	18	3050	LR113	45
LRAV3/125	125	3000	860	800	150	200	18	3050	LR113	50

Column for LRAV (mm)								
Type	For jib arm*	B	G	H	J	K	M	Weight (kg)
LPM15361	LRAV2/80	3610	250	200	20	18	M12	95
	LRAV3/80	3610	250	200	20	18	M12	95
	LRAV3-4/40	3610	250	200	20	18	M12	95
	LRAV5/40	3610	250	200	20	18	M12	95
	LRAV4/60	3610	250	200	20	18	M12	95
LPM20386	LRAV6/40	3860	300	250	20	24	M16	145
	LRAV4/80	3860	300	250	20	24	M16	145
	LRAV5/80	3860	300	250	20	24	M16	145
	LRAV2/125	3860	300	250	20	24	M16	145
	LRAV3/125	3860	300	250	20	24	M16	145



Brains instead of muscle

TAWI has served industry for over 80 years. We focus on developing complete solutions to substitute manual lifting. Our products save backs, knees and shoulders and help create a more effective handling of goods, thus saving money for our clients.

All TAWI products are designed and manufactured in Kungsbacka, Sweden. They are distributed through our subsidiaries in Great Britain, USA, Germany, the Netherlands and distributors in some 50 countries. Our know-how is based on years of experience in cooperating with distributors and clients. We understand the requirements, and design products to solve the problems. And the solution is always exact, simple and safe.

We are proud to be the most complete supplier of solutions for lighter lifting with products that are easily integrated into existing systems. TAWI leads, others follow.

VacuEasyLift was patented in 1980 and became an immediate success. Our vacuum lifters are now available in 20 models with capacities up to 270 kg. The system is as easy to install as to operate and handles almost any kind of load. More than 40.000 installed all over the world in all types of industry and warehouses.

Protema electric lifts are available with a wide variety of handling equipment. They are low-maintenance, light and easy to adjust to suit the application at hand: the Protema lifts offer safe and effective lifting and handling of goods. The first Protema lift was developed in 1977. Today's third generation lifts are a result of years of practical experience and development.

Lyftman is our range of crane systems, monorails and jib arms based on the flexible Lyftman profile system. Lyftman includes combinations of steel- and aluminium profiles with suspensions that enable installation in all kinds of premises.

The Lyftman system is easily adaptable to any existing installations and results in smooth, safe and quiet operation every time. Our Lyftman systems have been developed in close co-operation with our distributors and clients within the material handling industry.

It is cost-effective, flexible and guaranteed to improve the working environment.



Easy lifting
world wide