

# PSE-5

## Portable Electrode Dry-storage Container with Manual Thermostat



The PSE are light and handy dry-storage containers for electrodes. It is easy to carry and has a manual thermostat with a high range in storage temperature. The heating element runs from the top to the bottom and the top is fully insulated.

- 5 kg (11lbs) storage capacity
- 130 °C (260 °F) pre-set temperature

Visit [esab.com](http://esab.com) for more information.

Specifications	
Input Voltage	220 - 240 V
Output Power	200 W
Output Current	1 A
Dimensions Height	500 mm (19.7 in.)
Dimensions Diameter (Outer)	140 mm (5.5 in.)
Weight	5 kg (11 lbs)

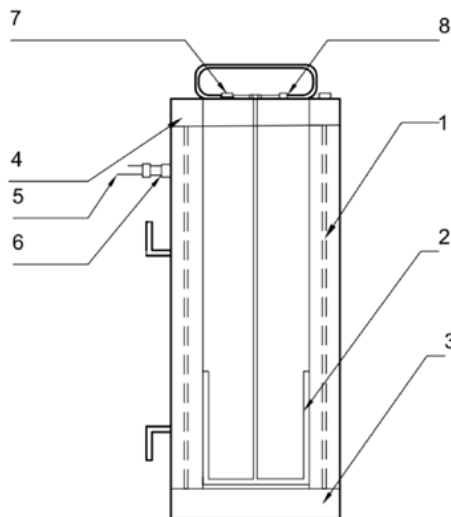
# PSE-5

## Ordering Information

PSE-5 Electrode Dry-storage Container, 1ph 230V AC 50/60Hz	0700100145
PSE-5 Electrode Dry-storage Container, 1ph 110V AC 50/60Hz	0700100146
PSE-5 Electrode Dry-storage Container, 1ph 24V AC 50/60Hz	0700100147

## Wear & Spare Parts

1	Heating Element 230V - PSE	0700100112
1	Heating Element 110V - PSE	0700100113
1	Heating Element 24V	0700100114
2	Puller Tray 5kg	0700100151
3	Bottom Cover PSE-5	0700100152
4	Top Cover PSE-5	0700100153
5	Power Cord 230V with plug	0700100118
5	Power Cord 110V with plug - PSE	0700100119
5	Power Cord 24V with plug	0700100120
6	Cable Gland - PSE	0700100121
7	Fuse Holder	0700100122
7	Fuse (glass) 5A	0700100141
8	Pilot Lamp 230V	0700100124
8	Pilot Lamp 110V	0700100125
8	Pilot Lamp 24V	0700100126



ESAB / [esab.com](http://esab.com)

