



MANUAL AND ELECTRIC JIB CRANES

GBA/GBP Series
CBB/MBB Series
CBE/MBE Series
GBR/GBL Series



JIB CRANES



The most complete range for local handling of loads up to 10,000 kg.

The result of in-depth knowledge of the most wide ranging applications, Donati jib cranes offer the most complete range of solutions for local handling of loads up to 10,000 kg.

Mass production performed with consolidated industrialised processes makes it possible to create completely reliable and technically innovative cranes with an excellent price/performance ratio. The quality of the components used, and the excellent finishing of the metal structural work, as well as the EN ISO 9001 certified quality system allows us to offer a top quality product and always in line with the most modern international standards. Donati's expertise in designing and manufacturing jib cranes and wire rope and chain hoists, ensures perfect component integration, as well as always satisfying both standardised and special installation requests.



MAX 10,000 KG

The complete range for local handling solutions





CONCEPT CONSTRUCTION AND THE RANGE

Jib cranes, with manual or electric rotation in column or wall versions, are created to locally handle goods inside a plant, on a square or along with operating stations. Studied and designed also for use in difficult environmental conditions, jib cranes become full operating machines if used and integrated into production centres, machine tools or work benches. They adopt standardised parts which make it possible to create completely standardised configurations.

Jib cranes perform three operations:

- ▶ they vertically lift the load in space, using the hook of the lifting unit, generally composed of a DMK chain hoist or DRH wire rope hoist;
- ▶ they move the load transversally in space, with the use of a hoist-carrying trolley, either electric or manual, which moves along the radial axis of the crane arm (with the exception of cranes with articulated arm where the hoist normally does not move on the trolley since it is connected in a fixed position at the end of the arm);
- ▶ they rotate the load in space, around the constrained axis of the arm, through a manual push action of the load or electrically by means of a gear motor, serving the circular area below, limited by the rotation radius of the arm.

Jib cranes are mass produced for capacities starting from 63 to 10,000 kg and jibs from 2 to 10.5 m in the following executions:

- ▶ Jib cranes with manual rotation, max. capacity 2,000 kg
 - GBA SERIES column-mounted, 300° rotation
 - GBP SERIES wall-mounted, 270° rotation
- ▶ Jib cranes with articulated arm, max. capacity 500 kg
 - CBB SERIES column-mounted, 360° manual rotation
 - MBB SERIES wall-mounted, 360° manual rotation
- ▶ Jib cranes with motorised arm, max. capacity 2,000 kg
 - CBE SERIES column-mounted, 300° electric rotation
 - MBE SERIES wall-mounted, 270° electric rotation
- ▶ Jib cranes with continuous electric rotation, max. capacity 10,000 kg
 - GBR SERIES column-mounted, 360° electric rotation
- ▶ Jib cranes with continuous electric rotation, max. capacity 5,000 kg and max. manual capacity 2,000 kg
 - GBL SERIES column-mounted, 360° continuous rotation

CONSTRUCTION CHARACTERISTICS

MODULAR COMPONENTS

Thanks to the modular components all Donati jib cranes are tailor-made for customer needs in a fast and efficient way - as standardised as well as special configurations. Basic versions are always available in the warehouse. Because of their extreme compactness the base components, columns, brackets and arms, enable the maximum use of the hook run and, thanks to their minimum lateral headroom, allow the optimal use in the operating area.

COLUMN

The column jib crane consists of a supporting column, made of press forged steel with a tubular structure with a polygonal section. This allows a high rigidity and stability of the crane and is fixed to the base with a base plate and a system of bolts and lug bolts. In the upper part a pair of plates support the arm and allow it to rotate.

SUPPORT BRACKET

The wall-mounted jib crane consists of a bracket support structure. This is formed by a pair of plates made of press-forged steel, fixed to the wall or anchored to a pillar with staybolts or screws which act as a support to the arm and allow it to rotate.

ROTATING ARM

The arm, rotating around its own axis, consists of a supporting girder for the run of the hoist-carrying trolley. Depending on the model it can be made in profile or channel version designed by Donati.

BRAKING DEVICE OF THE ARM

The arm of the manually rotated jib crane is fitted in all models with a braking system. The brake, the clutch with asbestos-free friction material, allows the regulation of the force of rotation of the arm and ensures the stability of positioning.

FIXING SYSTEMS OF THE CRANE

- ▶ Foundation frame with lug bolts. The jib cranes are generally designed to be fixed to the ground using the foundation frame with lug bolts inserted in the foundation plinth.
- ▶ Chemical bolts. The fixing of the column to the floor can be done using chemical bolts, also with a counterplate where necessary which allows better distribution of forces.
- ▶ Brackets and staybolts unit. This is used for fixing the bracket jib crane to a supporting pillar and is fitted with a pressure screw system which guarantees a better adhesion of the staybolts to the pillar.

DONATI LIFTING EQUIPMENT

Safe, versatile DMK electric chain hoists are used and for higher loads the DRH electric wire rope hoists (installed only on GBR and GBL series cranes) with 1 or 2 lifting and moving speeds.

HEIGHT OF COLUMNS AND LENGTH OF ARMS

The range of the jib cranes is characterised by a vast availability of standard models and made-to-measure in special models. All the cranes with a column of "base" height and also in half-metre variation, the cranes up to a top height of two metres as shown in the following table are standard models:

| SERIES | "STANDARD" HEIGHT OF THE COLUMNS (m) | | | |
|----------------|--------------------------------------|-----------|---------------|--------------------------|
| | CRANE HEIGHT | DIMENSION | "BASE" HEIGHT | OTHER "STANDARD" HEIGHTS |
| GBA CBB-CBE | R-S | H | 3 | 3.5 4 4.5 5 |
| | T-U V-Z | H | 3.5 4 | 4.5 5 5.5 6 |
| GBR | 2-3-4-5-6 | H | 4 | 4.5 5 5.5 6 |
| GBL | 2-3 | H | 3,5 | 4 - - - |
| | 5 | H | 4 | 4,5 - - - |

All the cranes with columns of heights different from the standard ones with "made to measure" heights are made in special execution or exceeding two metres or of a lower height with respect to the "base" column. There are also special cranes with arms lengths other than the standard ones in the technical tables.

FINISHING

Protection from atmospheric agents (dust, etc.) is guaranteed by a painting treatment that includes the application of a coat of yellow two component acrylic polyurethane enamel with a 50 micron thickness, after preparation of the surfaces with metallic sandblasting with SA2 grade. Drying in an oven for 15 minutes at a temperature of 45/50°C concludes the cycle.

SERVICE CLASS

The structural elements of the manually or electrically rotated, column-mounted or wall-mounted, jib cranes are dimensioned in the class of service ISO A5 (according to ISO 4301-1/88).

PROTECTION AND INSULATION OF ELECTRICAL PARTS

- ▶ Rotation motor: Protection IP54 (motors) IP23 (brakes); insulation class "F" (where necessary)
- ▶ Electrical panel: Minimum protection IP55 - Maximum voltage insulation 1500V (where necessary)
- ▶ Push-button panel: Protection IP65 - Maximum voltage insulation 500V (where necessary)
- ▶ Collector ring: Protection IP65 - Maximum voltage insulation 600V (where necessary)
- ▶ Rotation limit switch: Protection IP65 - Maximum voltage insulation 500V (where necessary)
- ▶ Connector blocks: Minimum protection IP65 - Maximum voltage insulation 1500V
- ▶ Cables: CEI 20/22 - Maximum power insulation 450/750V.

ELECTRIC POWER SUPPLY

The electrical jib cranes are designed to be powered with alternate electric power three-phase of: 400V according to IEC38-1. The CBE series "column" and MBE "wall" electrically rotated jib cranes must be powered with alternate electrical power with three-phase power + neutral + earth (~ 3 + N + T).

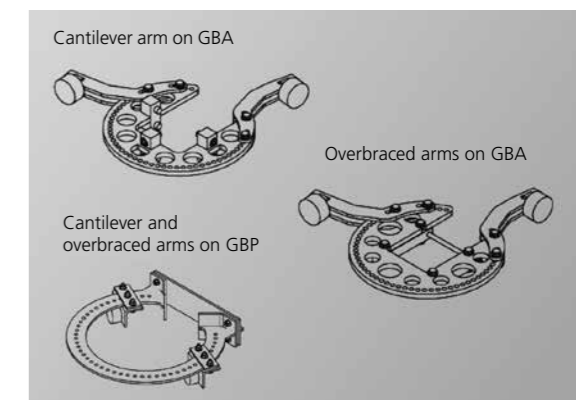
ENVIRONMENTAL CONDITIONS OF USE

Use temperatures: minimum - 10° C; maximum + 40°C
 Maximum relative humidity: 80% - Maximum altitude 1000 m above sea level. The standard crane must be installed in a ventilated environment, free from corrosive vapours (acid vapours, saline clouds, etc) and is designed for use in an indoor area (protected from bad weather). On request the crane can be supplied in the version designed for outdoor use.

NOISE

The level of acoustic pressure emitted by the hoist is always lower than 85 dB (A). The incidence of environmental characteristics such as transmission of sound by metallic structures, reflection caused by combined machines and walls, is not included in the figure shown.

Rotation stops for arms on GBA and GBP



SPECIAL VERSIONS

- On request the following can be supplied for jib cranes:
- ▶ Special anticorrosive paint.
 - ▶ Protection cover for motors and control panel (GBR series).
 - ▶ Hoist-trolley protection cover in standby position (GBA/GBP - CBE/MBE series).
 - ▶ Gear protection guard (CBE/MBE series).
 - ▶ Rotation motor with stainless steel brake blocks and / or tropicalisation (for electrically rotated cranes).
 - ▶ Anti-condensation heaters.
 - ▶ Rotation stops (GBA/GBP series).
 - ▶ Supplementary electrical safety limit switches (for electrically rotated cranes).
 - ▶ Power supply voltages different from the standard ones (for electrically rotated cranes).
 - ▶ Columns with double opposite and parallel arms (GBA series).
 - ▶ Customised column heights and arm lengths.
 - ▶ Galvanised treatment for GBA/GBP series cranes with T and H version arm.



MANUALLY ROTATED JIB CRANES

GBA "COLUMN" SERIES
MAXIMUM ROTATION FIELD 300°
(290° IN THE T VERSION)

GBP "WALL" SERIES
MAXIMUM ROTATION FIELD 270°
(250° IN THE T VERSION)



THE MANUALLY ROTATED JIB CRANES IN THE GBA "COLUMN" SERIES AND THE GBP "WALL" SERIES

are designed for the handling of goods inside a plant, in a square or to serve operative purposes. The standard models are available for lifting capacities from 63 to 2,000 kg and jibs from 2 to 8 m. The S-T-H- versions are designed according to the three different versions of the arm.

"T" CANTILEVER VERSION FOR LIFTING CAPACITIES FROM 63 kg TO 2,000 kg AND JIBS FROM 2 TO 5 m

The arm is made using a laminated double T-beam form: the hoist carrying trolley runs on the lower flange of the T-beam. The girder is self-supporting and cantilevered, so it has no support staybolts, and it is directly integral with, via suitable reinforcements, the rotation tube. This version allows the optimum use of the available space at a height due to the absence of staybolts and allows the maximum use of the hook run. The arm allows the additional of electrical or mechanical push-trolleys.

"H" OVERBRACED VERSION FOR LIFTING CAPACITIES FROM 125 kg TO 2,000 kg AND JIBS FROM 4 TO 8 m

The arm is made using a laminated double T-beam form: the hoist carrying trolley runs on the lower flange of the T-beam. The arm is fitted with one or two staybolts to support the profile which connect it to the rotation tube. This version allows the use of the jib crane for loads and jibs superior to those possible with the S and T versions. The arm allows the addition of electrical and mechanical push-trolleys.

ELECTRICAL POWER SUPPLY

This is designed to power the hoist and/or electrical trolley, which run along the jib of the crane. It uses a connection box for the connection between the line and the power festoon cable, situated at the top of the column crane near the bracket support in the wall version. The column crane can be supplied, on request, with a main on / off line switch which can be padlocked. The distribution of energy takes place via a flame-retardant flat festoon cable which slides on specific trolleys or slides along the arm.



NEW S SERIES JIB CRANES IN CHANNEL PROFILE

For capacities from 63 to 1,000 kg and jibs from 2 to 7 m, with manual rotation.

The new S series combines tradition and innovation and is characterised by the extreme lightness of movement due to the low inertia resulting from its reduced weight. The arm is made using a sheet metal section bar inside which the trolley runs characterised by high movement fluidity thanks to the high quality components used. The combination of these elements makes the S series light, simple and easy to move. Its new channel profile used to create the jib crane arm is a special cold rolled sheet metal profile, which stands out due to its smooth surface, high rigidity and its reduced weight. Special guide surfaces and slightly inclined sliding surfaces, reduce the rolling friction of the hoist trolley travel wheels. The reduction of its weights means less movement effort by the operator for manual rotation of the jib crane arm. The new trolleys have the following advantages:

- ▶ Perfect sliding and maximum silence of the plastic wheels mounted on rolling bearings
- ▶ Connection of loads with pins, joint and without moments
- ▶ High vertical load capacity (horizontally up to 10% of the vertical load)

Bracket unit

Use to fix the wall-mounted crane. The configuration makes it possible to avoid complicated alignment operations during installation.

Trolley

High fluidity for a simple movement thanks to the low friction of the wheels.

Electric chain hoist DMK

Fast and suitable for all needs for capacities up to 4,000 kg.

Upright

Designed to permit a wider rotation angle.

Column

Square column designed to maximise rigidity maintaining a reduced weight.

Arm

Lightweight design to move the load simply and quickly.

Power supply line

Flat cable to reduce maintenance to a minimum.

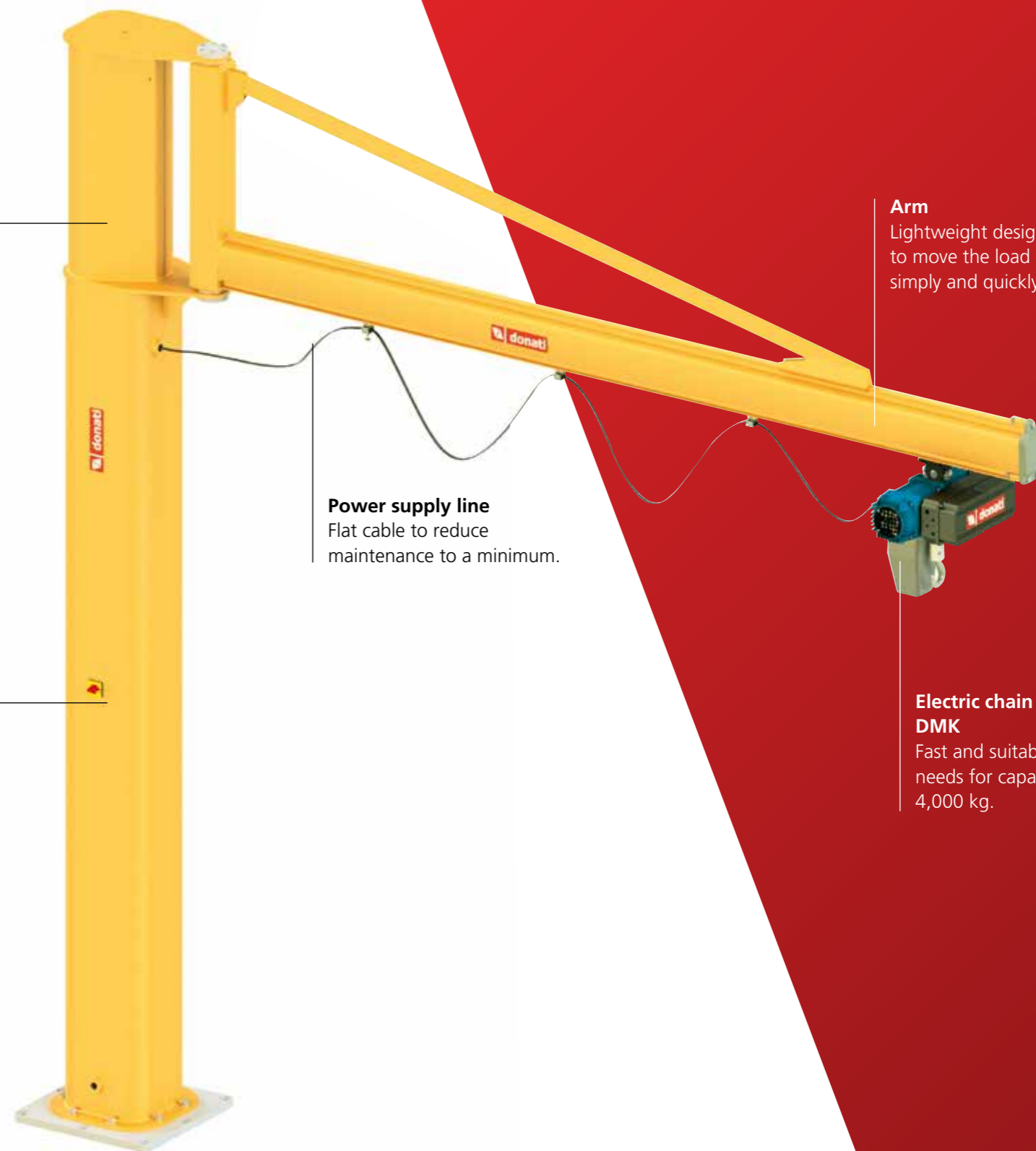
Electric chain hoist DMK

Fast and suitable for all needs for capacities up to 4,000 kg.

MAX

1,000 KG

Manual movement



THE MANUALLY ROTATED JIB CRANES WITH ARTICULATED ARM IN THE CBB "COLUMN" SERIES AND THE MBB "WALL" SERIES

are designed for the handling of goods inside the plant or a building site where the presence of fixed obstacles would impede the free rotation in terms of the mobility of the arm when it is formed by one rigid element. The cranes "with an articulated arm" are fitted with an arm made of two hinged "pantograph-shaped" segments which allow it to avoid fixed obstacles during rotation. The standard models are available for capacities from 125 to 500 kg and jibs from 3 to 7 m.

ARTICULATED JIB

The jib cranes both in wall and column versions, are fitted with an "articulated arm", which rotates on its own axis.

The articulated arm is made using two cantilevered girders, which form the two hinged segments (semi-arms). The semi-arm on the "tie" side is generally made in boxed casing, while the "cantilever" side can be made using a laminated double T-beam form. The first segment (semi-arm on the tie side) rotates around the axis situated on the column or the bracket where it is fastened. The second segment (semi-arm on the cantilever side) rotates on the ends of the first segment and is fitted with a planarity regulation system. The two semi-arms can be of different lengths and are able to rotate independently of each other. Reciprocal mobility, thanks to the "pantograph" effect, allows the lifting equipment to reach any point in the area to be served, thus avoiding any obstacles to the rotation as well as increasing the surface area served behind the column or the fixing pillar of the bracket. The entire articulated arm is directly integral with, via suitable reinforcements, the rotation tube. The two-rotation arms, rotating on their own rotation axes via bearings, allow the optimal use of the available space at a height due to the absence of staybolts.

ELECTRICAL POWER SUPPLY

This powers the hoist and for the connection between the line and the power cable has: Terminal box near the support bracket in the MBB wall version. A main on / off line switch which can be padlocked on the column in the CBB version. The distribution of energy takes place via the fire retardant cable. Electrical line with round multipolar flexible cable inserted on a channel welded under the flange of the jib. Push-button panel hanging from the hoist.



JIB CRANES WITH ARTICULATED ARM

CBB SERIES

"COLUMN WITH ARTICULATED ARM"
SERIES MAXIMUM ROTATION FIELD 360°

MBB SERIES

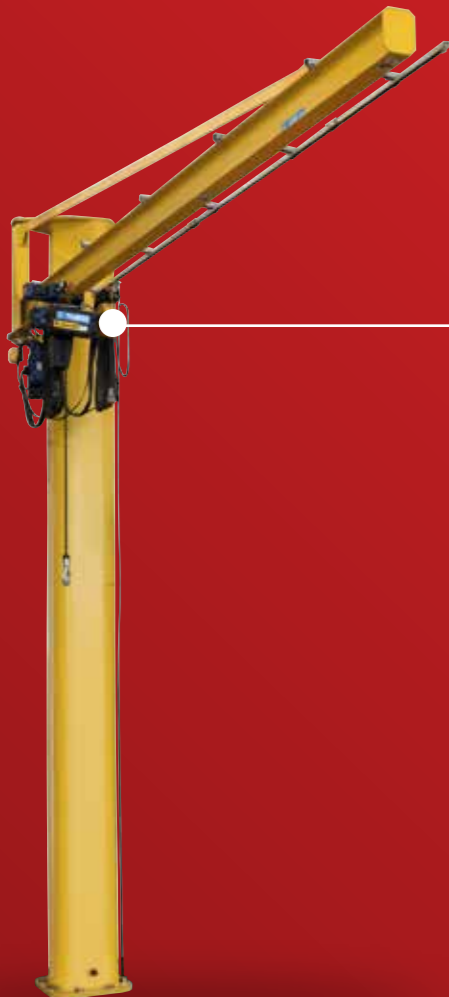
"WALL WITH ARTICULATED ARM"
MAXIMUM ROTATION FIELD 360°



JIB CRANES WITH MOTORISED ARM

CBE "COLUMN" SERIES
MAXIMUM ROTATION FIELD 300°
(290° IN THE T VERSION)

MBE "WALL" SERIES
MAXIMUM ROTATION FIELD 270°
(250° IN THE T VERSION)



THE ELECTRICALLY ROTATED JIB CRANES WITH MOTORISED ARM IN THE CBE "COLUMN" SERIES AND THE MBE "WALL" SERIES

are designed for handling goods in areas which are difficult to reach, where the presence of fixed obstacles would impede the practicability of the working area. They are used also when the frequency of manoeuvres, the entity of the load and the push forces, could cause excessive wear and tear if carried out manually. Available in standard versions for lifting capacities from 250 to 2,000 kg and jibs from 2 to 8 m. The T and H versions are designed according to the different layouts of the arm.

"T" CANTILEVER VERSION FOR LOADS FROM 500 KG TO 2,000 KG AND JIBS FROM 3 TO 6 M

Made using a rolled steel I-beam form: the hoist carrying trolley runs on the lower flanges of the T-beam. The girder is self-supporting and cantilevered, so it has no support staybolts, and it is directly integral with, via suitable reinforcements, the rotation tube. This version allows the optimal use of the available space at a height due to the absence of staybolts and allows the maximum use of the hook run. The arm allows the additional of electrical or mechanical push-trolleys.

"H" OVERBRACED VERSION FOR LIFTING CAPACITIES FROM 250 KG TO 2,000 KG AND JIBS FROM 4 TO 8 M

Made using a laminated double T-beam form: the hoist carrying trolley runs on the lower flange of the T-beam. The arm is fitted with one or two staybolts to support the profile which connect it to the rotation tube. This version allows the use of the jib crane for lifting capacities and ranges superior to those of the T version. The arm allows the additional of electrical or mechanical push-trolleys.

ROTATING ARM

The arm, rotating around its own axis on rolling bearings, consists of a supporting girder for the run of the hoist carrying trolley.

THE ROTATION MECHANISM

Formed by a motor reducer fixed vertically in the lower part of the support bracket, made with a reducer of epicyclic type, with gears in a thermally treated oil bath and self-braking conical brake motor. The drive sprocket of the motor reducer fits together with the toothed crown integral with the arm which it powers. The progressive starting up and braking are ensured by a frequency variator (inverter) powered by alternate monophase 230V voltage. A three phase inverter is needed to supply cranes other than 400 V.

ELECTRICAL POWER SUPPLY

To power the hoist and trolley, which run along the jib of the crane as well as the rotation motor reducer. The power supply includes two electrical control panels, one for the control of the lifting and travel unit of the hoist, while the rotation control equipment is integrated with the motor reducer. Inside the panels the contactors for the control of all of the movements of the crane are positioned. The control circuits are low voltage (48V) obtained via a transformer protected by fuses. An easy-to-use connection terminal box, with numbered terminals, ensures simplicity and safety of the wiring of the cables related to all the external functions making any inspections easy to perform. The power line to power the trolley-hoist formed by flexible flat fire-retardant multipolar cables festooned on the sliding trolleys on the lower flange of the beam. The push-button control panel, suspended on the hoist, with a shockproof thermoplastic case, supported by a round multipolar cable and suspended with specific ropes. When necessary it is fitted with a rapid socket with obliged polarity to make it easier to assemble and replace. On request an independent, sliding, push-button panel can be installed along the jib of the crane, via cable-carrying trolleys inside a channel profile via multipolar cable with festoons. Acoustic alarm, when included, controlled by an "alarm" button serves the function of acoustic warning to indicate any dangerous situations during handling. Electric safety limit switch on the rotation movements, installed as standard to delineate the rotation field of the arm of the crane. Working on the auxiliary circuits at low voltage, two thresholds of intervention both in right rotation and left, also carry out the emergency function in safety if there is any fault or malfunctioning of the first threshold of intervention.

For the connections to the line, there are:

- ▶ a main on/off switch on the jib crane which can be padlocked
- ▶ a connector block on the bracket crane.

Powered by alternate electric power with three-phase voltage + neutral + earth (~ 3+N+T).

360° ELECTRICALLY ROTATED JIB CRANES GBR "COLUMN" SERIES

GBR "COLUMN" SERIES

ROTATION FIELD 360° CONTINUOUS ROTATION

THE GBR SERIES ELECTRICALLY ROTATED JIB CRANES

Are used to handle loads whose mass (high or bulky) does not allow manual handling. They are also used when fixed obstacles impede the practicability of the working surface. They are the ideal solution for handling:

- ▶ in outdoor squares and deposits
- ▶ on harfs, to load and unload materials for watercraft
- ▶ on harfs to haul boats
- ▶ on loading ramps, for handling materials for lorries
- ▶ for services of big operating units or assembling machines

Available as standard for lifting loads from 1,000 to 10,000 Kg and jibs from 4 to 10.5 m.

COLUMN

Made of press-forged steel sheet welded to the tubular structure with octagonal section it allows a high rigidity and stability; it is fixed with a base plate and a system of bolts or lug bolts. The upper part is fitted with a flange for fixing the rotation thrust bearing.

ROTATING ARM

This is formed by a supporting girder and, in relation to the lifting capacity and/or the jib length, can be made rolled steel I-beam form or box beam designed to guarantee the maximum flexotorsional stability. In the construction of the supporting box beam high quality section steel is used and welded carried out with continuous line procedure to ensure optimal safety conditions and operative reliability of the crane. It is fitted with a flange with holes for the application of the thrust bearing to which it is fixed using high resistance bolts. The rotation of the arm of the crane, which is mounted on a rotating thrust bearing, is ensured via



a motoreducer. The circular area served by the arm can, according to necessity, be limited by electrical limit switches, or allow continual rotations, without end, of the arm itself in both directions by a collector ring.

ROTATION MECHANISMS

Base bearing or thrust bearing, able to support both axial pushes, due to vertical forces and the tilting momentum due to the movement.

MOTOREDUCER

fitted on the arm, fitted with a selfbraking motor with progressive start-up and braking where the sprocket, keyed on the slow shaft, fits together with the internal toothing of the thrust bearing to which it gives movement.

FIXING SYSTEM

The foundation frame with lug bolts is supplied, on request, for fixing the column to the base (foundation plinth).

ELECTRICAL POWER SUPPLY

Made for powering the hoist and trolley which run along the arm of the crane as well as to power the rotation motoreducer and includes two electrical control panels, one to control lifting and movement unit on the trolley/hoist, while the control apparatus of the rotation motoreducer is integral with the arm. Inside the panels there are the contactors for the control of all of the movements, as well as protection fuses against short circuits. The control circuits are low voltage obtained via a transformer protected by fuses. A connection terminal box, with numbered terminals, ensures simplicity and safety of the wiring of the cables relative to all the external functions making any inspection

easy to perform. Alternatively, on request, the crane can be supplied with one electrical panel only made of press-forged sheet, which contains the contactors and the timers to control all the movements of the crane, as well as protection fuses against short circuits. The control circuits are low voltage. A connection terminal box ensures simplicity and safety of the wiring of the cables related to all the external functions making any inspections easy to perform. The electrical line to power the trolley-hoist formed by flexible flat fire-retardant multipolar cables festooned on the trolleys which slide inside a channel section. A hanging push-button control panel, with shockproof thermoplastic casing, sliding, along the crane girder, via trolleys inside a channel section using festooned flexible multipolar cable. It is supported by a round multipolar cable and

suspended by specific ropes. It is generally fitted with a rapid socket with obliged polarity to make it easier to assemble and replace. Acoustic alarm, when included, controlled by an "alarm" button serves the function of acoustic warning to indicate any dangerous situations during handling. Rotating collector ring installed when the arm of the crane is free from obstacles in every point of its rotation and the arm itself is required to rotate continuously in both directions. Electric safety limit switch on the rotation movements, installed to delineate the rotation field of the arm of the crane. Acting on the auxiliary circuits at low voltage, two thresholds of intervention both in right rotation and left, also carry out the emergency function in safety if there is any fault or malfunctioning of the first threshold of intervention.



ELECTRICALLY AND MANUALLY ROTATED JIB CRANES 360°

GBL "COLUMN" SERIES 360° ROTATION WITH CONTINUOUS ROTATION



THE GBL SERIES ELECTRICALLY OR MANUALLY ROTATED JIB CRANES

Are the ideal solution for handling loads in internal environments. Available as standard for lifting loads from itself 1,000 to 5,000 kg and jibs from 4 to 8 m with electrical rotation and up to 2,000 kg with manual rotation.

COLUMN

Made of press-forged steel sheet welded to the tubular structure with octagonal section it allows a high rigidity and stability; it is fixed with a base plate and a system of lug bolts. The upper part is equipped with a flange for fixing the sprocket (for electrical rotation of the arm) and ball bearing for centring and rotation of the arm on the column and a rolling track.

ROTATING ARM

This is formed by a supporting girder made in rolled steel I-beam, a centring pin on the vertical axis of the column and a reaction arm with roller box which slide on the rolling track of the column.

The electrical rotation of the crane arm is ensured by a motoreducer which is connected to the arm. The circular area served by the arm can, according to necessity, be limited by electrical limit switches, or allows continual rotations in both directions through the use of a rotating collector ring.

ROTATION MECHANISMS

Composed of a motoreducer fitted on the arm, fitted with a self-braking motor with progressive start-up and braking where the sprocket, keyed on the slow shaft, fits together with the external toothing of the crown attached to the column.

FIXING SYSTEM

The foundation frame with lug bolts is supplied, on request, for fixing the column to the base (foundation plinth). For cranes with capacity up to 2,000 kg and jig up to 8 m, the fixing may also be done with the use of chemical bolts and specific counterplate.

ELECTRICAL POWER SUPPLY

Made for powering the hoist and trolley which run along the arm of the crane as well as to power the rotation motoreducer and includes two electrical control panels, one to control lifting and movement unit on the hoist/trolley, while the control apparatus of the rotation motoreducer is integral with the arm. Inside the panels there are the contactors for the control of all of the movements, as well as protection fuses against short circuits. The control circuits are low voltage obtained via a transformer protected by fuses. A connection terminal box, with numbered terminals, ensures simplicity and safety of the wiring of the cables related to all the external functions making any inspections easy to perform. The electrical line to power the trolley-hoist formed by flexible flat fire-retardant multipolar cables festooned on the trolleys which slide inside a channel section. Push-button panel hanging from the hoist/trolley control equipment. It is supported by a round multipolar cable and suspended by specific ropes. Remote control when requested as an alternative to the traditional push-button panel, in cases of bulky loads in order to remotely control all movements. Acoustic alarm, controlled by an "alarm" button serves the function of acoustic warning to indicate any dangerous situations during handling. Rotating collector ring installed when the arm of the crane is free from obstacles in every point of its rotation and the arm itself is required to rotate continuously in both directions. Electric safety limit switch on the rotation movements, when requested, installed to delineate the rotation field of the arm of the crane. Acting on the low voltage auxiliary circuits, it has two thresholds of intervention both in right rotation and left, also carry out the emergency function in safety if there is any fault or malfunctioning of the first threshold of intervention.

CRITERIA OF CHOICES AND LIMITS OF USE OF THE JIB CRANES

To obtain the complete responsiveness of the jib cranes, for the service they are intended for, it is necessary to check the parameters which characterise their limits of use and, thus, the right choice.

These are essentially the actual lifting capacity, the stress level and the functional parameters.

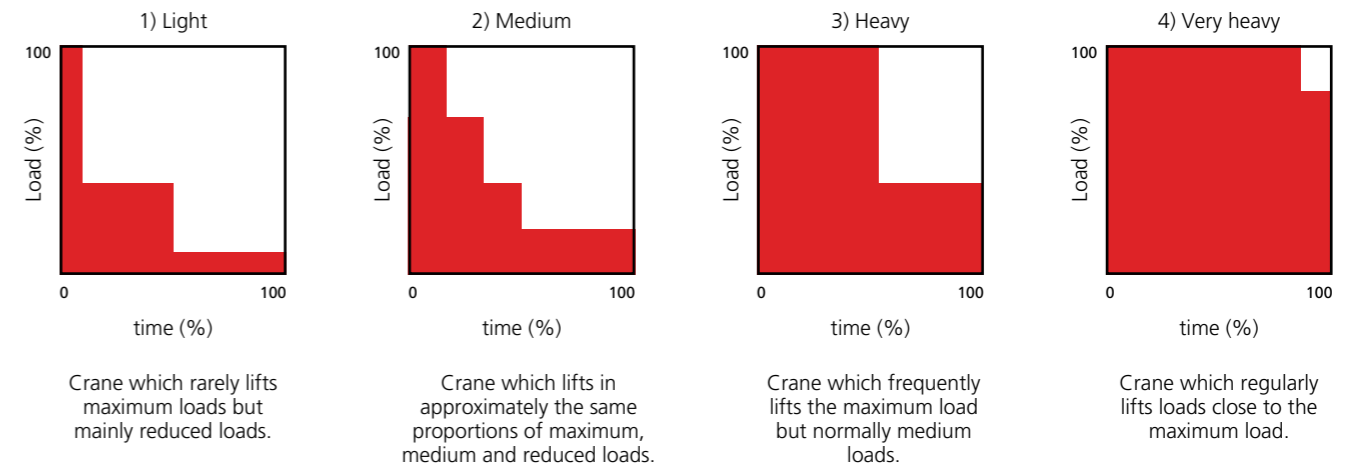
ACTUAL LIFTING CAPACITY

This is determined by the heaviest load to be lifted.



STRESS LEVEL

The stress level is determined considering the actual entity of the loads to be lifted and it is ascribable to one of the four load regimes shown below.



FUNCTIONAL PARAMETERS

The functional parameters which must be carefully considered in the choice of jib cranes are:

- ▶ Functional dimensions: height of the arm, which determines the hook run of the hoist, and its jib must be selected so as to guarantee the functional coverage of the area to be served in consideration of the surrounding environment.
- ▶ Type of travel (where necessary): manual or electric in relation to the characteristics of the mass to handle and the type of arm already selected.
- ▶ Nature of the load: delicate or not determines by its positioning the choice of the most suitable speeds of handling (lifting and travel). In some cases it is indispensable to use hoists with two speeds with a slow speed of positioning.
- ▶ Area of use: the jib crane is characterised, by its conception, by intrinsic high elasticity which becomes even more evident when it is used for handling with loads close to the

maximum lifting capacity and/or with prevalent localisation at the ends of the arm.

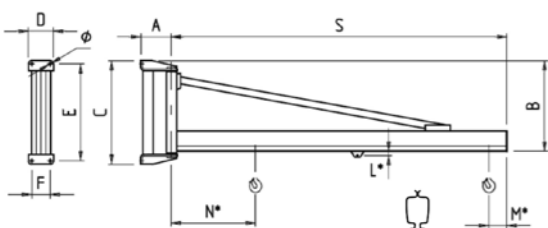
- ▶ Area of use: the jib cranes are intended to be used inside and/or in a covered area, sheltered from bad weather and the wind. Measures must be taken for outdoor use for a suitable surface treatment (sandblasting - painting (as well as):
 - for manually rotated cranes: an arm parking brake system and an adequate protection cover for the hoist-trolley.
 - for electrically rotated cranes: adequate protective covers for the hoist-trolley, for the motoreducer and for the electric panel.
- ▶ Frequency of use: if use is very high (frequent and/or repeated manoeuvres) with loads close to the maximum load the consequent fatigue of the operator due to manual handling must be taken into consideration.

Check, on the basis of the stress level intended for the crane, that the limits of use, type of service and n° of cycles intended in 10 years of work are not in contrast with the following table.

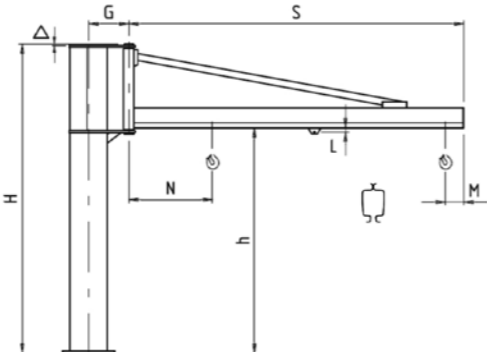
| LIMITS OF USE OF THE JIB CRANES OF THE SERVICE CLASS ISO A5 (ACCORDING TO ISO 4301-1/88) | | | | |
|--|-----------------------|----------------------------|-------------------|---------------|
| STRESS LEVEL | 1) LIGHT | 2) MEDIUM | 3) HEAVY | 4) VERY HEAVY |
| Type of service | intense irregular use | intermittent irregular use | regular light use | irregular use |
| Conditions of use | U 6 | U 5 | U 4 | U 3 |
| N° of operative cycles in 10 years | 1.000.000 | 500.000 | 250.000 | 125.000 |

GBP/GBA SERIES JIB CRANES – S VERSION – CHANNEL PROFILE VERSION

270° Wall-mounted jib crane
Rotation 270°



300° Column-mounted jib crane
Rotation 300°

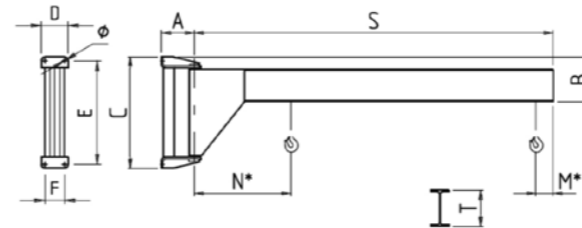


Heights L*, M* and N* for wall-mounted jib cranes. See corresponding heights relative to column-mounted jib cranes.

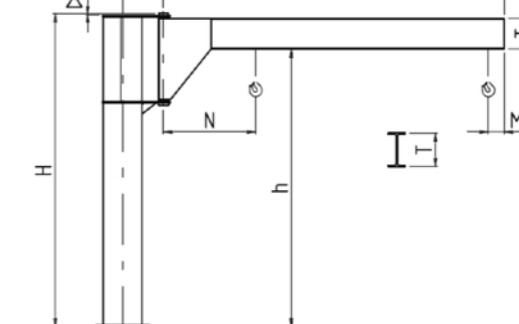
| LIFTING CAPACITY (kg) | ARM S | | SIZE OF JIB CRANE | | | GBP SERIES WALL-MOUNTED JIB CRANES - C VERSION | | | | | | | | | | GBA SERIES COLUMN-MOUNTED CRANE - VERSION C | | | | | | | | | | |
|-----------------------|---------|-------------------|-------------------|--------|--------------|--|--------|-------------------------|------|------|-----|------|-----|----|---------------------|---|-----------------|--------|-------------------------|-----|----|-----|-----|---------------------|----------------|------|
| | ARM (m) | ARM CW COVER (mm) | BRACKET | COLUMN | COUNTERPLATE | TROLLEY TYPE | TYPE | OVERALL DIMENSIONS (mm) | | | | | | | WEIGHT JIB CRANE kg | BASE | MAX. HEIGHT H m | TYPE | OVERALL DIMENSIONS (mm) | | | | | WEIGHT JIB CRANE kg | COLUMN BY m kg | |
| | | | | | | | | A | B | C | D | E | F | Ø | | | | | UNDER BEAM h | G | L | M | N | | | Δ |
| | | | | | | | | | | | | | | | | | | | | | | | | | | |
| 63 | 4 | 3999 | A | R | R | 1 | S01A41 | 170 | 552 | 644 | 200 | 594 | 150 | 17 | 60.2 | 3 | 5 | S30R41 | 2498 | 228 | 38 | 100 | 522 | 12 | 102.3 | 18.2 |
| | 5 | 4999 | A | R | R | 1 | S01A51 | 170 | 552 | 644 | 200 | 594 | 150 | 17 | 68.1 | 3 | 5 | S30R51 | 2498 | 228 | 38 | 100 | 582 | 12 | 110.2 | 18.2 |
| | 6 | 5997 | C | T | T | 2 | S02C61 | 210 | 820 | 930 | 250 | 870 | 190 | 22 | 171.3 | 3.5 | 5.5 | S30T61 | 2740 | 323 | 35 | 115 | 730 | 12 | 266.1 | 35 |
| | 7 | 6997 | C | T | T | 2 | S02C71 | 210 | 820 | 930 | 250 | 870 | 190 | 22 | 189.3 | 3.5 | 5.5 | S30T71 | 2740 | 323 | 35 | 115 | 790 | 12 | 284.1 | 35 |
| 125 | 2 | 1999 | A | R | R | 1 | S01A23 | 170 | 552 | 644 | 200 | 594 | 150 | 17 | 44.4 | 3 | 5 | S30R23 | 2498 | 228 | 38 | 100 | 452 | 12 | 86.5 | 18.2 |
| | 3 | 2999 | A | R | R | 1 | S01A33 | 170 | 552 | 644 | 200 | 594 | 150 | 17 | 52.2 | 3 | 5 | S30R33 | 2498 | 228 | 38 | 100 | 522 | 12 | 94.3 | 18.2 |
| | 4 | 3999 | B | S | S | 1 | S01B43 | 170 | 552 | 644 | 200 | 594 | 150 | 17 | 60.1 | 3 | 5 | S30S43 | 2498 | 274 | 38 | 100 | 522 | 12 | 116 | 22.8 |
| | 5 | 4999 | B | S | S | 1 | S01B53 | 170 | 552 | 644 | 200 | 594 | 150 | 17 | 73.1 | 3 | 5 | S30S53 | 2498 | 274 | 38 | 100 | 582 | 12 | 129 | 22.8 |
| | 6 | 5997 | C | T | T | 2 | S02C63 | 210 | 820 | 930 | 250 | 870 | 190 | 22 | 171.3 | 3.5 | 5.5 | S35T63 | 2740 | 323 | 35 | 115 | 730 | 17 | 266.1 | 35 |
| | 7 | 6997 | C | T | T | 2 | S02C73 | 210 | 820 | 930 | 250 | 870 | 190 | 22 | 190 | 3.5 | 5.5 | S35T73 | 2740 | 323 | 35 | 115 | 790 | 17 | 284.8 | 35 |
| 250 | 2 | 1999 | A | R | R | 1 | S01A24 | 170 | 552 | 644 | 200 | 594 | 150 | 17 | 44.7 | 3 | 5 | S30R24 | 2498 | 274 | 38 | 100 | 452 | 12 | 86.8 | 18.2 |
| | 3 | 2999 | B | S | S | 1 | S01B34 | 170 | 552 | 644 | 200 | 594 | 150 | 17 | 52.6 | 3 | 5 | S30S34 | 2498 | 274 | 38 | 100 | 522 | 12 | 108.5 | 22.8 |
| | 4 | 3997 | C | T | T | 1 | S02C44 | 210 | 820 | 930 | 250 | 870 | 190 | 22 | 90.7 | 3.5 | 5.5 | S35T44 | 2740 | 323 | 38 | 100 | 592 | 17 | 185.5 | 35 |
| | 5 | 4999 | C | T | T | 2 | S02C54 | 210 | 820 | 930 | 250 | 870 | 190 | 22 | 152.2 | 3.5 | 5.5 | S35T54 | 2740 | 323 | 35 | 115 | 670 | 17 | 247 | 35 |
| | 6 | 5997 | D | U | U | 2 | S02D64 | 210 | 820 | 930 | 250 | 870 | 190 | 22 | 171.7 | 3.5 | 5.5 | S35U64 | 2740 | 386 | 35 | 115 | 730 | 17 | 296.3 | 43.5 |
| | 7 | 6997 | D | U | U | 2 | S02D74 | 210 | 820 | 930 | 250 | 870 | 190 | 22 | 190 | 3.5 | 5.5 | S35U74 | 2740 | 386 | 35 | 115 | 790 | 17 | 314.6 | 43.5 |
| 500 | 2 | 1997 | C | T | T | 2 | S02C25 | 210 | 820 | 930 | 250 | 870 | 190 | 22 | 94.5 | 3.5 | 5.5 | S35T25 | 2740 | 323 | 35 | 115 | 540 | 17 | 189.3 | 35 |
| | 3 | 2997 | C | T | T | 2 | S02C35 | 210 | 820 | 930 | 250 | 870 | 190 | 22 | 113.6 | 3.5 | 5.5 | S35T35 | 2740 | 323 | 35 | 115 | 600 | 17 | 225.9 | 35 |
| | 4 | 3997 | D | U | U | 2 | S02D45 | 210 | 820 | 930 | 250 | 870 | 190 | 22 | 132.7 | 3.5 | 5.5 | S35U45 | 2740 | 386 | 35 | 115 | 600 | 17 | 257.3 | 43.5 |
| | 5 | 4997 | D | U | U | 2 | S02D55 | 210 | 820 | 930 | 250 | 870 | 190 | 22 | 153.2 | 3.5 | 5.5 | S35U55 | 2740 | 386 | 35 | 115 | 670 | 17 | 277.8 | 43.5 |
| | 6 | 5997 | E | V | V | 2 | S03E65 | 255 | 1100 | 1240 | 300 | 1160 | 220 | 34 | 240.4 | 4 | 6 | S40V65 | 2982 | 443 | 35 | 115 | 760 | 20 | 443.9 | 64 |
| | 7 | 6997 | E | V | V | 2 | S03E75 | 255 | 1100 | 1240 | 300 | 1160 | 220 | 34 | 269.8 | 4 | 6 | S40V75 | 2982 | 443 | 35 | 115 | 830 | 20 | 473.3 | 64 |
| 800 | 7 | 6997 | F | Z | Z1 | 2D | S03F76 | 255 | 1100 | 1240 | 300 | 1160 | 220 | 34 | 296.1 | 4 | 6 | S40Z76 | 2982 | 513 | 53 | 265 | 980 | 20 | 544.4 | 75.2 |
| 1000 | 2 | 1997 | D | U | U | 2D | S02D27 | 210 | 820 | 930 | 250 | 870 | 190 | 22 | 95.2 | 3.5 | 5.5 | S35U27 | 2740 | 386 | 53 | 265 | 690 | 17 | 219.8 | 43.5 |
| | 3 | 2997 | D | U | U | 2D | S02D37 | 210 | 820 | 930 | 250 | 870 | 190 | 22 | 114.2 | 3.5 | 5.5 | S35U37 | 2740 | 386 | 53 | 265 | 750 | 17 | 238.8 | 43.5 |
| | 4 | 3997 | E | V | V | 2D | S03E47 | 255 | 1100 | 1240 | 300 | 1160 | 220 | 34 | 193.5 | 4 | 6 | S40V47 | 2982 | 443 | 53 | 265 | 780 | 20 | 397 | 64 |
| | 5 | 4997 | E | V | V | 2D | S03E57 | 255 | 1100 | 1240 | 300 | 1160 | 220 | 34 | 246.4 | 4 | 6 | S40V57 | 2982 | 443 | 53 | 265 | 850 | 20 | 449.9 | 64 |
| | 6 | 5997 | F | Z | Z1 | 2D | S03F67 | 255 | 1100 | 1240 | 300 | 1160 | 220 | 34 | 276 | 4 | 6 | S40Z67 | 2982 | 513 | 53 | 265 | 910 | 20 | 524.3 | 75.2 |

GBP/GBA SERIES JIB CRANES – T VERSION – CANTILEVER VERSION

250° Wall-mounted jib crane
Rotation 250°



290° Column-mounted jib crane
Rotation 290°

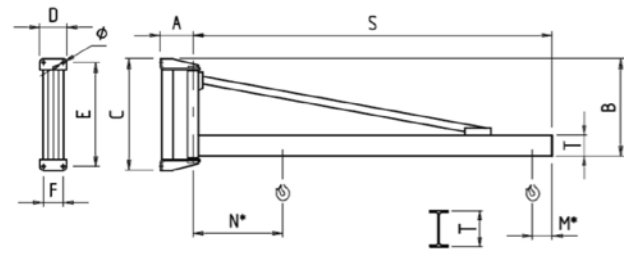


Heights M* and N* for wall-mounted jib cranes. See corresponding heights relative to column-mounted jib cranes.

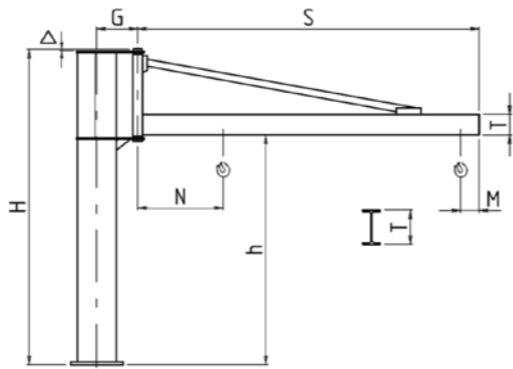
| LIFTING CAPACITY (kg) | ARM S m | SIZE OF JIB CRANE | | | GBP SERIES WALL-MOUNTED JIB CRANES - T VERSION | | | | | | | | | | GBA SERIES COLUMN-MOUNTED CRANE - VERSION T | | | | | | | | | |
|-----------------------|---------|-------------------|--------|--------------|--|-------------------------|-----|------|-----|------|-----|----|---------------------|------------|---|--------|-------------------------|-----|-----|------|---------|--------|--------------|----------------|
| | | BRACKET | COLUMN | COUNTERPLATE | TYPE | OVERALL DIMENSIONS (mm) | | | | | | | WEIGHT JIB CRANE kg | HEIGHT H m | | TYPE | OVERALL DIMENSIONS (mm) | | | | | WEIGHT | | |
| | | | | | | A | B | C | D | E | F | Ø | | BASE | MAX. | | UNDER BEAM h | G | M | N | T (IPE) | Δ | JIB CRANE kg | COLUMN BY m kg |
| | | | | | | | | | | | | | | | | | | | | | | | | |
| 63 | 4 | A | R | R | T01A41 | 170 | 248 | 644 | 200 | 594 | 150 | 15 | 95 | 3 | 5 | T30R41 | 2800 | 228 | 190 | 655 | 160 | 12 | 148 | 18.2 |
| | 5 | A | R | R | T01A51 | 170 | 248 | 644 | 200 | 594 | 150 | 15 | 111 | 3 | 5 | T30R51 | 2800 | 228 | 190 | 715 | 160 | 12 | 164 | 18.2 |
| 125 | 2 | A | R | R | T01A23 | 170 | 248 | 644 | 200 | 594 | 150 | 15 | 63 | 3 | 5 | T30R23 | 2800 | 228 | 190 | 595 | 160 | 12 | 116 | 18.2 |
| | 3 | A | R | R | T01A33 | 170 | 248 | 644 | 200 | 594 | 150 | 15 | 79 | 3 | 5 | T30R33 | 2800 | 228 | 190 | 655 | 160 | 12 | 132 | 18.2 |
| | 4 | B | S | S | T01B43 | 170 | 288 | 644 | 200 | 594 | 150 | 15 | 125 | 3 | 5 | T30S43 | 2760 | 274 | 190 | 725 | 200 | 12 | 200 | 22.8 |
| | 5 | B | S | S | T01B53 | 170 | 288 | 644 | 200 | 594 | 150 | 15 | 147 | 3 | 5 | T30S53 | 2760 | 274 | 190 | 785 | 200 | 12 | 222 | 22.8 |
| 250 | 2 | B | S | S | T01B24 | 170 | 288 | 644 | 200 | 594 | 150 | 15 | 81 | 3 | 5 | T30S24 | 2760 | 274 | 190 | 665 | 200 | 12 | 156 | 22.8 |
| | 3 | B | S | S | T01B34 | 170 | 288 | 644 | 200 | 594 | 150 | 15 | 103 | 3 | 5 | T30S34 | 2760 | 274 | 190 | 725 | 200 | 12 | 178 | 22.8 |
| | 4 | C | T | T | T02C44 | 210 | 346 | 930 | 250 | 870 | 190 | 22 | 195 | 3.5 | 5.5 | T35T44 | 3212 | 323 | 190 | 800 | 240 | 17 | 320 | 35 |
| | 5 | C | T | T | T02C54 | 210 | 346 | 930 | 250 | 870 | 190 | 22 | 226 | 3.5 | 5.5 | T35T54 | 3212 | 323 | 190 | 860 | 240 | 17 | 351 | 35 |
| | 6 | D | U | U | T02D64 | 210 | 406 | 930 | 250 | 870 | 190 | 22 | 340 | | | | | | 190 | 1000 | 300 | | | |
| | 6 | E | V | V | T03E64 | 255 | 500 | 1240 | 300 | 1160 | 220 | 34 | 410 | 4 | 6 | T40V64 | 3640 | 443 | 190 | 1065 | 300 | 20 | 705 | 64 |
| | 7 | E | V | V | T03E74 | 255 | 500 | 1240 | 300 | 1160 | 220 | 34 | 555 | 4 | 6 | T40V74 | 3580 | 443 | 190 | 1135 | 360 | 20 | 852 | 64 |
| 500 | 2 | C | T | T | T02C25 | 210 | 346 | 930 | 250 | 870 | 190 | 22 | 134 | 3.5 | 5.5 | T35T25 | 3212 | 323 | 190 | 740 | 240 | 17 | 260 | 35 |
| | 3 | C | T | T | T02C35 | 210 | 346 | 930 | 250 | 870 | 190 | 22 | 165 | 3.5 | 5.5 | T35T35 | 3212 | 323 | 190 | 800 | 240 | 17 | 290 | 35 |
| | 4 | D | U | U | T02D45 | 210 | 406 | 930 | 250 | 870 | 190 | 22 | 256 | 3.5 | 5.5 | T35U45 | 3152 | 386 | 190 | 880 | 300 | 17 | 430 | 43.5 |
| | 5 | D | U | U | T02D55 | 210 | 406 | 930 | 250 | 870 | 190 | 22 | 298 | 3.5 | 5.5 | T35U55 | 3152 | 386 | 190 | 940 | 300 | 17 | 472 | 43.5 |

GBP/GBA SERIES JIB CRANES – H VERSION – OVERBRACED VERSION

270° Wall-mounted jib crane
Rotation 270°



300° Column-mounted jib crane
Rotation 300°



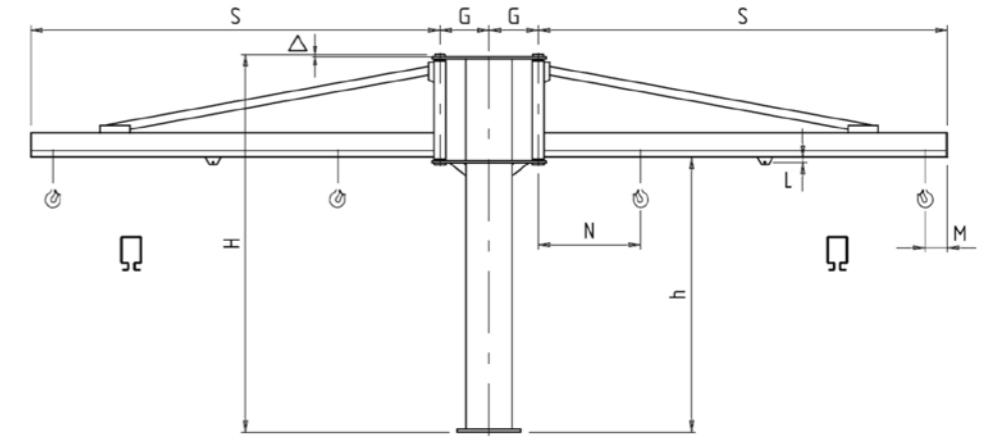
Heights M* and N* for wall-mounted jib cranes. See corresponding heights relative to column-mounted jib cranes.

| LIFTING CAPACITY (kg) | ARM S m | SIZE OF JIB CRANE | | | GBP SERIES WALL-MOUNTED JIB CRANES - H VERSION | | | | | | | | GBA SERIES COLUMN-MOUNTED CRANE - VERSION H | | | | | | | | | | | |
|-----------------------|---------|-------------------|--------|--------------|--|-------------------------|------|------|-----|------|-----|----|---|------------|------|-------------------------|------|--------------|-----|------|--------|---------|-----|--------------|
| | | BRACKET | COLUMN | COUNTERPLATE | TYPE | OVERALL DIMENSIONS (mm) | | | | | | | | HEIGHT H m | TYPE | OVERALL DIMENSIONS (mm) | | | | | WEIGHT | | | |
| | | | | | | A | B | C | D | E | F | Ø | WEIGHT JIB CRANE kg | | | BASE | MAX. | UNDER BEAM h | G | M | N | T (IPE) | Δ | JIB CRANE kg |
| 125 | 6 | C | T | T | H02C63 | 210 | 820 | 930 | 250 | 870 | 190 | 22 | 160 | 3.5 | 5.5 | H35T63 | 2738 | 323 | 190 | 900 | 160 | 17 | 285 | 35 |
| | 7 | C | T | T | H02C73 | 210 | 820 | 930 | 250 | 870 | 190 | 22 | 180 | 3.5 | 5.5 | H35T73 | 2738 | 323 | 190 | 960 | 160 | 17 | 305 | 35 |
| | 8 | D | U | U | H02D83 | 210 | 820 | 930 | 250 | 870 | 190 | 22 | 251 | 3.5 | 5.5 | H35U83 | 2738 | 386 | 190 | 1070 | 200 | 17 | 425 | 43.5 |
| 250 | 4 | C | T | T | H02C44 | 210 | 820 | 930 | 250 | 870 | 190 | 22 | 122 | 3.5 | 5.5 | H35T44 | 2738 | 323 | 190 | 780 | 160 | 17 | 247 | 35 |
| | 5 | C | T | T | H02C54 | 210 | 820 | 930 | 250 | 870 | 190 | 22 | 141 | 3.5 | 5.5 | H35T54 | 2738 | 323 | 190 | 840 | 160 | 17 | 266 | 35 |
| | 6 | D | U | U | H02D64 | 210 | 820 | 930 | 250 | 870 | 190 | 22 | 200 | 3.5 | 5.5 | H35U64 | 2738 | 386 | 190 | 950 | 200 | 17 | 374 | 43.5 |
| | 7 | D | U | U | H02D74 | 210 | 820 | 930 | 250 | 870 | 190 | 22 | 226 | 3.5 | 5.5 | H35U74 | 2738 | 386 | 190 | 1010 | 200 | 17 | 400 | 43.5 |
| 500 | 8 | E | V | V | H03E84 | 255 | 1100 | 1240 | 300 | 1160 | 220 | 34 | 303 | 4 | 6 | H40V84 | 2980 | 443 | 190 | 1140 | 200 | 20 | 620 | 64 |
| | 4 | D | U | U | H02D45 | 210 | 820 | 930 | 250 | 870 | 190 | 22 | 149 | 3.5 | 5.5 | H35U45 | 2738 | 386 | 190 | 830 | 200 | 17 | 323 | 43.5 |
| | 5 | D | U | U | H02D55 | 210 | 820 | 930 | 250 | 870 | 190 | 22 | 175 | 3.5 | 5.5 | H35U55 | 2738 | 386 | 190 | 890 | 200 | 17 | 349 | 43.5 |
| | 6 | E | V | V | H03E65 | 255 | 1100 | 1240 | 300 | 1160 | 220 | 34 | 262 | 4 | 6 | H40V65 | 2980 | 443 | 190 | 1020 | 200 | 20 | 559 | 64 |
| 1000 | 7 | E | V | V | H03E75 | 255 | 1100 | 1240 | 300 | 1160 | 220 | 34 | 293 | 4 | 6 | H40V75 | 2980 | 443 | 190 | 1080 | 200 | 20 | 590 | 64 |
| | 8 | F | Z | Z1 | H03F85 | 255 | 1100 | 1240 | 300 | 1160 | 220 | 34 | 389 | 4 | 6 | H40Z85 | 2980 | 513 | 190 | 1240 | 240 | 20 | 771 | 75.2 |
| | 4 | E | V | V | H03E47 | 255 | 1100 | 1240 | 300 | 1160 | 220 | 34 | 200 | 4 | 6 | H40V47 | 2980 | 443 | 190 | 900 | 200 | 20 | 497 | 64 |
| | 5 | E | V | V | H03E57 | 255 | 1100 | 1240 | 300 | 1160 | 220 | 34 | 231 | 4 | 6 | H40V57 | 2980 | 443 | 190 | 960 | 200 | 20 | 528 | 64 |
| 1600 | 6 | F | Z | Z1 | H03F67 | 255 | 1100 | 1240 | 300 | 1160 | 220 | 34 | 312 | 4 | 6 | H40Z67 | 2980 | 513 | 190 | 1120 | 240 | 20 | 694 | 75.2 |
| | 7 | F | Z | Z1 | H03F77 | 255 | 1100 | 1240 | 300 | 1160 | 220 | 34 | 351 | 4 | 6 | H40Z77 | 2980 | 513 | 190 | 1180 | 240 | 20 | 733 | 75.2 |
| | 8 | F | Z | Z2 | H03F87 | 255 | 1100 | 1240 | 300 | 1160 | 220 | 34 | 430 | 4 | 6 | H40Z87 | 2980 | 513 | 190 | 1180 | *152 | 20 | 812 | 75.2 |
| 2000 | 6 | F | Z | Z2 | H03F68 | 255 | 1100 | 1240 | 300 | 1160 | 220 | 34 | 312 | 4 | 6 | H40Z68 | 2980 | 513 | 210 | 1140 | 240 | 20 | 694 | 75.2 |
| | 4 | F | Z | Z2 | H03F49 | 255 | 1100 | 1240 | 300 | 1160 | 220 | 34 | 233 | 4 | 6 | H40Z49 | 2980 | 513 | 210 | 1020 | 240 | 20 | 615 | 75.2 |
| 2000 | 5 | F | Z | Z2 | H03F59 | 255 | 1100 | 1240 | 300 | 1160 | 220 | 34 | 272 | 4 | 6 | H40Z59 | 2980 | 513 | 210 | 1080 | 240 | 20 | 654 | 75.2 |

* Profiled girder type HEA160

GBA SERIES JIB CRANES WITH DOUBLE ARM *C VERSION – PROFILED CHANNEL

260° Column-mounted jib crane
Rotation 260°+260°

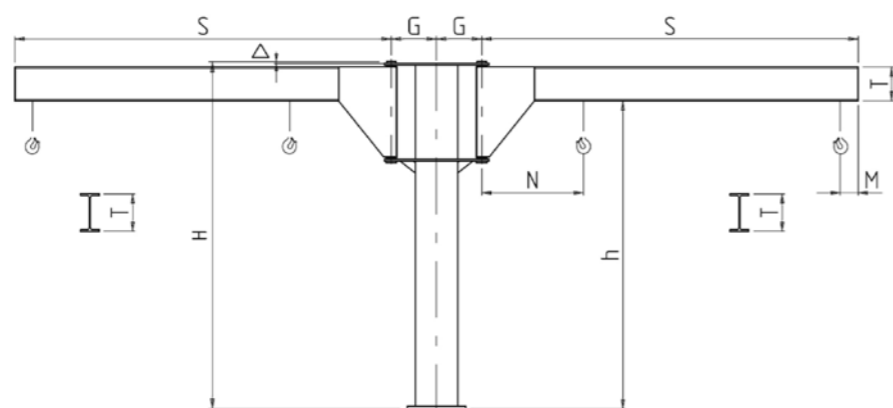


| LIFTING CAPACITY (kg) | ARM S | | SIZE OF JIB CRANE | | TROLLEY TYPE | GBA SERIES COLUMN-MOUNTED CRANE - VERSION C | | | | | | | | | | |
|-----------------------|---------|-------------------|-------------------|--------------|--------------|---|------|--------|-------------------------|------|-----|-----|------|--------|--------------|----------------|
| | ARM (m) | ARM CW COVER (mm) | COLUMN | COUNTERPLATE | | HEIGHT H m | | TYPE | OVERALL DIMENSIONS (mm) | | | | | WEIGHT | | |
| | | | | | | BASE | MAX. | | UNDER BEAM h | G | L | M | N | Δ | JIB CRANE kg | COLUMN BY m kg |
| 63+63 | 2 | 2056 | R | R | CCP | 3 | 5 | C30G20 | 2496 | 228 | 34 | 140 | 525 | 12 | 139 | 18.2 |
| | 3 | 3056 | R | R | CCP | 3 | 5 | C30G30 | 2496 | 228 | 34 | 140 | 585 | 12 | 165 | 18.2 |
| | 4 | 4056 | S | S | CCP | 3 | 5 | C30H40 | 2496 | 274 | 34 | 140 | 585 | 12 | 215 | 22.8 |
| | 5 | 5056 | S | S | CCP | 3 | 5 | C30H50 | 2496 | 274 | 34 | 140 | 645 | 12 | 241 | 22.8 |
| | 6 | 6066 | T | T | CCP | 3.5 | 5.5 | C35I60 | 2738 | 323 | 34 | 140 | 785 | 17 | 376 | 35 |
| | 7 | 7066 | T | T | CCP | 3.5 | 5.5 | C35I70 | 2738 | 323 | 34 | 140 | 845 | 17 | 406 | 35 |
| | 125+125 | 2 | 2056 | S | S | CCP | 3 | 5 | C30H20 | 2496 | 274 | 34 | 140 | 525 | 12 | 163 |
| 3 | | 3056 | S | S | CCP | 3 | 5 | C30H30 | 2496 | 274 | 34 | 140 | 585 | 12 | 189 | 22.8 |
| 4 | | 4066 | T | T | CCP | 3.5 | 5.5 | C35I40 | 2738 | 323 | 34 | 140 | 665 | 17 | 316 | 35 |
| 5 | | 5066 | T | T | CCP | 3.5 | 5.5 | C35I50 | 2738 | 323 | 34 | 140 | 725 | 17 | 346 | 35 |
| 6 | | 6066 | U | U | CCP | 3.5 | 5.5 | C35L60 | 2738 | 386 | 34 | 140 | 820 | 17 | 430 | 43.5 |
| 7 | | 7066 | U | U | CCP | 3.5 | 5.5 | C35L70 | 2738 | 386 | 34 | 140 | 880 | 17 | 460 | 43.5 |
| 250+250 | | 2 | 2066 | T | T | CCP | 3.5 | 5.5 | C35I20 | 2738 | 323 | 34 | 140 | 610 | 17 | 256 |
| | 3 | 3066 | T | T | CCP | 3.5 | 5.5 | C35I30 | 2738 | 323 | 34 | 140 | 670 | 17 | 286 | 35 |
| | 4 | 4066 | U | U | CCP | 3.5 | 5.5 | C35L40 | 2738 | 386 | 34 | 140 | 695 | 17 | 386 | 43.5 |
| | 5 | 5066 | U | U | CCP | 3.5 | 5.5 | C35L50 | 2738 | 386 | 34 | 140 | 755 | 17 | 418 | 43.5 |
| | 6 | 6076 | V | V | CCG | 4 | 6 | C40M60 | 2980 | 443 | 43 | 156 | 880 | 20 | 815 | 64 |
| | 7 | 7076 | V | V | CCG | 4 | 6 | C40M70 | 2980 | 443 | 43 | 156 | 940 | 20 | 875 | 64 |
| | 500+500 | 2 | 2066 | U | U | CCPD | 3.5 | 5.5 | C35L20 | 2738 | 386 | 34 | 265 | 750 | 17 | 310 |
| 3 | | 3066 | U | U | CCPD | 3.5 | 5.5 | C35L30 | 2738 | 386 | 34 | 265 | 810 | 17 | 340 | 43.5 |
| 4 | | 4076 | V | V | CCG | 4 | 6 | C40M40 | 2980 | 443 | 43 | 156 | 760 | 20 | 700 | 64 |
| 5 | | 5076 | V | V | CCG | 4 | 6 | C40M50 | 2980 | 443 | 43 | 156 | 820 | 20 | 757 | 64 |
| 6 | | 6076 | Z | Z1 | CCG | 4 | 6 | C40N60 | 2980 | 513 | 43 | 156 | 950 | 20 | 963 | 75.2 |
| 7 | | 7076 | Z | Z1 | CCG | 4 | 6 | C40N70 | 2980 | 513 | 43 | 156 | 1000 | 20 | 1030 | 75.2 |
| 1000+1000 | | 2 | 2076 | V | V | CCGD | 4 | 6 | C40M20 | 2980 | 443 | 60 | 306 | 515 | 20 | 509 |
| | 3 | 3076 | V | V | CCGD | 4 | 6 | C40M30 | 2980 | 443 | 60 | 306 | 655 | 20 | 538 | 64 |
| | 4 | 4076 | Z | Z1 | CCGD | 4 | 6 | C40N40 | 2980 | 513 | 60 | 306 | 1040 | 20 | 792 | 75.2 |
| | 5 | 5076 | Z | Z1 | CCGD | 4 | 6 | C40N50 | 2980 | 513 | 60 | 306 | 1100 | 20 | 850 | 75.2 |

* Availability subject to confirmation

GBA SERIES JIB CRANES WITH DOUBLE ARM – T VERSION – CANTILEVER PROFILED GIRDER

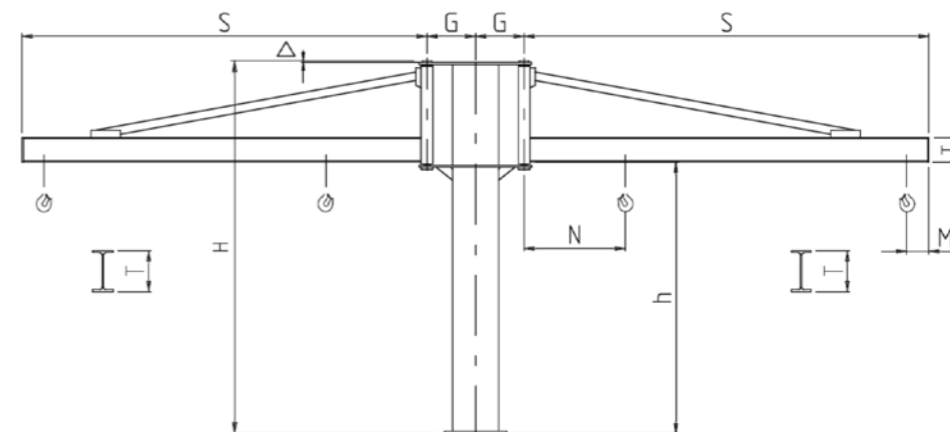
260° Column-mounted jib crane
Rotation 260°+260°



| LIFTING CAPACITY (kg) | ARM S m | SIZE OF JIB CRANE | | GBA SERIES COLUMN-MOUNTED CRANE - VERSION T | | | | | | | | | | |
|-----------------------|---------|-------------------|--------------|---|--------|--------|-------------------------|-----|-----|------|---------|--------|--------------|----------------|
| | | COLUMN | COUNTERPLATE | HEIGHT H m | | TYPE | OVERALL DIMENSIONS (mm) | | | | | WEIGHT | | |
| | | | | BASE | MAX. | | UNDER BEAM h | G | M | N | T (IPE) | Δ | JIB CRANE kg | COLUMN BY m kg |
| 63+63 | 2 | R | R | 3 | 5 | T30G21 | 2800 | 228 | 190 | 595 | 160 | 12 | 170 | 18.2 |
| | 3 | R | R | 3 | 5 | T30G31 | 2800 | 228 | 190 | 655 | 160 | 12 | 202 | 18.2 |
| | 4 | S | S | 3 | 5 | T30H41 | 2800 | 274 | 190 | 725 | 160 | 12 | 257 | 22.8 |
| | 5 | S | S | 3 | 5 | T30H51 | 2800 | 274 | 190 | 785 | 160 | 12 | 290 | 22.8 |
| 125+125 | 2 | S | S | 3 | 5 | T30H23 | 2800 | 274 | 190 | 595 | 160 | 12 | 193 | 22.8 |
| | 3 | S | S | 3 | 5 | T30H33 | 2800 | 274 | 190 | 655 | 160 | 12 | 225 | 22.8 |
| | 4 | T | T | 3.5 | 5.5 | T35I43 | 3212 | 323 | 190 | 800 | 240 | 17 | 496 | 35 |
| | 5 | T | T | 3.5 | 5.5 | T35I53 | 3212 | 323 | 190 | 860 | 240 | 17 | 558 | 35 |
| | 6 | V | V | 4 | 6 | T40M63 | 3640 | 443 | 190 | 1065 | 300 | 20 | 1092 | 64 |
| 250+250 | 7 | V | V | 4 | 6 | T40M73 | 3580 | 443 | 190 | 1135 | 360 | 20 | 1385 | 64 |
| | 2 | T | T | 3.5 | 5.5 | T35I24 | 3212 | 323 | 190 | 740 | 240 | 17 | 375 | 35 |
| | 3 | T | T | 3.5 | 5.5 | T35I34 | 3212 | 323 | 190 | 800 | 240 | 17 | 436 | 35 |
| | 4 | U | U | 3.5 | 5.5 | T35L44 | 3212 | 386 | 190 | 800 | 240 | 17 | 550 | 43.5 |
| | 5 | U | U | 3.5 | 5.5 | T35L54 | 3212 | 386 | 190 | 860 | 240 | 17 | 612 | 43.5 |
| | 6 | V | V | 4 | 5 | T40M64 | 3640 | 443 | 190 | 1065 | 300 | 20 | 1092 | 64 |
| | 6 | Z | Z1 | 4 | 6 | T40N64 | 3640 | 513 | 190 | 1065 | 300 | 20 | 1183 | 75.2 |
| | 7 | V | V | 4 | 4 | T40M74 | 3580 | 443 | 190 | 1135 | 360 | 20 | 1385 | 64 |
| 500+500 | 7 | Z | Z1 | 4 | 6 | T40N74 | 3580 | 513 | 190 | 1135 | 360 | 20 | 1477 | 75.2 |
| | 2 | U | U | 3.5 | 5.5 | T35L25 | 3212 | 386 | 190 | 740 | 240 | 17 | 428 | 43.5 |
| | 3 | U | U | 3.5 | 5.5 | T35L35 | 3212 | 386 | 190 | 800 | 240 | 17 | 490 | 43.5 |
| | 4 | V | V | 4 | 6 | T40M45 | 3580 | 443 | 190 | 945 | 360 | 20 | 1037 | 64 |
| | 5 | V | V | 4 | 6 | T40M55 | 3580 | 443 | 190 | 1005 | 360 | 20 | 1152 | 64 |
| 1000+1000 | 6 | Z | Z1 | 4 | 4 | T40N65 | 3580 | 513 | 190 | 1140 | 360 | 20 | 1332 | 75.2 |
| | 2 | V | V | 4 | 6 | T40M20 | 3587 | 443 | 190 | 900 | 360 | 20 | 809 | 64 |
| | 3 | V | V | 4 | 6 | T40M30 | 3587 | 443 | 190 | 960 | 360 | 20 | 923 | 64 |
| 4 | Z | Z2 | 4 | 6 | T40N40 | 3587 | 513 | 190 | 945 | 360 | 20 | 1129 | 75.2 | |

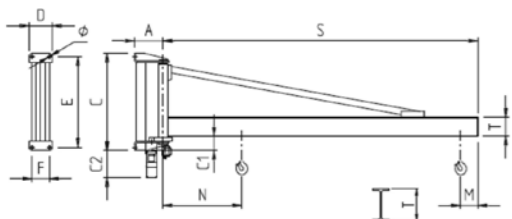
GBA SERIES JIB CRANES WITH DOUBLE ARM – H VERSION – OVERBRACED VERSION

260° Column-mounted jib crane
Rotation 260°+260°

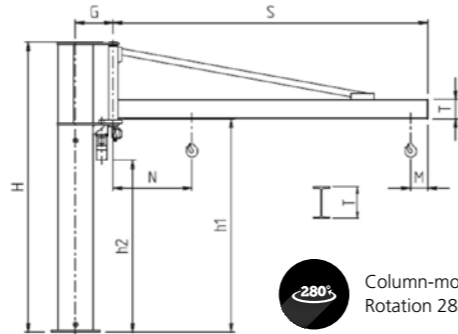


| LIFTING CAPACITY (kg) | ARM S m | SIZE OF JIB CRANE | | GBA SERIES COLUMN-MOUNTED CRANE - VERSION T | | | | | | | | | | |
|-----------------------|---------|-------------------|--------------|---|------|--------|-------------------------|-----|-----|------|---------|--------|--------------|----------------|
| | | COLUMN | COUNTERPLATE | HEIGHT H m | | TYPE | OVERALL DIMENSIONS (mm) | | | | | WEIGHT | | |
| | | | | BASE | MAX. | | UNDER BEAM h | G | M | N | T (IPE) | Δ | JIB CRANE kg | COLUMN BY m kg |
| 125+125 | 4 | T | T | 3.5 | 5.5 | H35I40 | 2738 | 323 | 190 | 780 | 160 | 17 | 350 | 35 |
| | 5 | T | T | 3.5 | 5.5 | H35I50 | 2738 | 323 | 190 | 840 | 160 | 17 | 388 | 35 |
| | 6 | U | U | 3.5 | 5.5 | H35L60 | 2738 | 386 | 190 | 900 | 160 | 17 | 480 | 43.5 |
| | 7 | U | U | 3.5 | 5.5 | H35L70 | 2738 | 386 | 190 | 960 | 160 | 17 | 520 | 43.5 |
| | 8 | V | V | 4 | 6 | H40M80 | 2980 | 443 | 190 | 1140 | 200 | 20 | 922 | 64 |
| 250+250 | 4 | U | U | 3.5 | 5.5 | H35L40 | 2738 | 386 | 190 | 780 | 160 | 17 | 405 | 43.5 |
| | 5 | U | U | 3.5 | 5.5 | H35L50 | 2738 | 386 | 190 | 840 | 160 | 17 | 442 | 43.5 |
| | 6 | V | V | 4 | 6 | H40M60 | 2980 | 443 | 190 | 1020 | 200 | 20 | 800 | 64 |
| | 7 | V | V | 4 | 6 | H40M70 | 2980 | 443 | 190 | 1080 | 200 | 20 | 862 | 64 |
| 500+500 | 8 | Z | Z1 | 4 | 6 | H40N80 | 2980 | 513 | 190 | 1140 | 200 | 20 | 1013 | 75.2 |
| | 4 | V | V | 4 | 6 | H40M40 | 2980 | 443 | 190 | 900 | 200 | 20 | 675 | 64 |
| | 5 | V | V | 4 | 6 | H40M50 | 2980 | 443 | 190 | 960 | 200 | 20 | 737 | 64 |
| | 6 | Z | Z | 4 | 6 | H40N60 | 2980 | 513 | 190 | 945 | 200 | 20 | 892 | 75.2 |
| 800+800 | 7 | Z | Z1 | 4 | 6 | H40N70 | 2980 | 513 | 190 | 1005 | 200 | 20 | 953 | 75.2 |
| | 8 | Z | Z2 | 4 | 4 | H40N85 | 2980 | 513 | 190 | 1240 | 240 | 20 | 1145 | 75.2 |
| | 6 | Z | Z2 | 4 | 6 | H40N65 | 2980 | 513 | 190 | 1120 | 240 | 20 | 992 | 75.2 |
| 1000+1000 | 4 | Z | Z2 | 4 | 6 | H40N40 | 2980 | 513 | 190 | 900 | 200 | 20 | 767 | 75.2 |
| | 5 | Z | Z2 | 4 | 6 | H40N50 | 2980 | 513 | 190 | 960 | 200 | 20 | 830 | 75.2 |

MBE/CBE SERIES JIB CRANES – H VERSION – MOTORISED ARM OVERBRACED VERSION



Wall-mounted jib crane
Rotation 290°



Column-mounted jib crane
Rotation 280°

| LIFTING CAPACITY (kg) | ARM S m | SIZE OF JIB CRANE | TYPE | MBE SERIES WALL-MOUNTED JIB CRANE - H VERSION - MOTORISED ARM OVERBRACED VERSION | | | | | | | | | | | | | MOTOR POWER kW | WEIGHT JIB CRANE kg | |
|-----------------------|---------|-------------------|---------|--|------|------|-----|-----|-----|------|-----|----|-----|------|-----------|---------------------------|----------------|---------------------|------------------|
| | | | | OVERALL DIMENSIONS (mm) | | | | | | | | | | | ARM SPEED | | | | |
| | | | | A | B | C | C1 | C2 | D | E | F | Ø | M | N | T (IPE) | NO. OF REVOLUTIONS R.P.M. | | | PERIPHERAL m/min |
| 250 | 6 | D | EH02D64 | 340 | 778 | 930 | 152 | 378 | 250 | 870 | 190 | 22 | 190 | 1080 | 200 | 0.6 | 23 | 0.4 | 258 |
| | 7 | D | EH02D74 | 340 | 778 | 930 | 152 | 378 | 250 | 870 | 190 | 22 | 190 | 1200 | *152 | 0.6 | 26 | 0.4 | 340 |
| | 8 | E | EH03E84 | 365 | 1058 | 1240 | 182 | 348 | 300 | 1160 | 220 | 34 | 190 | 1210 | *152 | 0.6 | 30 | 0.4 | 497 |
| 500 | 4 | D | EH02D45 | 340 | 778 | 930 | 152 | 378 | 250 | 870 | 190 | 22 | 190 | 960 | 200 | 1 | 25 | 0.4 | 207 |
| | 5 | D | EH02D55 | 340 | 778 | 930 | 152 | 378 | 250 | 870 | 190 | 22 | 190 | 1020 | 200 | 0.8 | 25 | 0.4 | 233 |
| | 6 | E | EH03E65 | 365 | 1058 | 1240 | 182 | 348 | 300 | 1160 | 220 | 34 | 190 | 1090 | 200 | 0.6 | 23 | 0.4 | 334 |
| 1000 | 7 | E | EH03E75 | 365 | 1058 | 1240 | 182 | 348 | 300 | 1160 | 220 | 34 | 190 | 1210 | *152 | 0.6 | 26 | 0.4 | 451 |
| | 8 | F | EH03F85 | 365 | 1058 | 1240 | 182 | 348 | 300 | 1160 | 220 | 34 | 190 | 1210 | *152 | 0.6 | 30 | 0.4 | 497 |
| | 4 | E | EH03E47 | 365 | 1058 | 1240 | 182 | 348 | 300 | 1160 | 220 | 34 | 190 | 970 | 200 | 1 | 25 | 0.4 | 272 |
| 1600 | 5 | E | EH03E57 | 365 | 1058 | 1240 | 182 | 348 | 300 | 1160 | 220 | 34 | 190 | 1030 | 200 | 0.8 | 25 | 0.4 | 304 |
| | 6 | F | EH03F67 | 365 | 1058 | 1240 | 182 | 348 | 300 | 1160 | 220 | 34 | 190 | 1090 | 240 | 0.6 | 23 | 0.4 | 384 |
| | 7 | F | EH03F77 | 365 | 1058 | 1240 | 182 | 348 | 300 | 1160 | 220 | 34 | 190 | 1210 | *152 | 0.6 | 26 | 0.4 | 451 |
| 2000 | 8 | F | EH03F87 | 365 | 1058 | 1240 | 182 | 348 | 300 | 1160 | 220 | 34 | 190 | 1210 | *152 | 0.6 | 30 | 0.4 | 497 |
| | 6 | F | EH03F68 | 365 | 1058 | 1240 | 182 | 348 | 300 | 1160 | 220 | 34 | 210 | 1170 | *152 | 0.6 | 23 | 0.4 | 420 |
| | 4 | F | EH03F49 | 365 | 1058 | 1240 | 182 | 348 | 300 | 1160 | 220 | 34 | 210 | 990 | 240 | 0.8 | 20 | 0.4 | 306 |
| 2000 | 5 | F | EH03F59 | 365 | 1058 | 1240 | 182 | 348 | 300 | 1160 | 220 | 34 | 210 | 1050 | 240 | 0.6 | 20 | 0.4 | 344 |

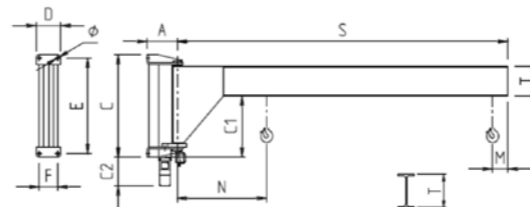
* Profiled girder type HEA160

| LIFTING CAPACITY (kg) | ARM S m | SIZE OF JIB CRANE | COUNTERPLATE | CBE SERIES COLUMN-MOUNTED JIB CRANE - H VERSION - MOTORISED ARM OVERBRACED VERSION | | | | | | | | | | | | | | |
|-----------------------|---------|-------------------|--------------|--|------|---------|-------------------------|------|-----|-----|------|-----------|----|---------------------------|------------------|----------------|--------------|----------------|
| | | | | HEIGHT H mm | | TYPE | OVERALL DIMENSIONS (mm) | | | | | ARM SPEED | | WEIGHT | | | | |
| | | | | BASE | MAX. | | h1 | h2 | G | M | N | T (IPE) | Δ | NO. OF REVOLUTIONS R.P.M. | PERIPHERAL m/min | MOTOR POWER kW | JIB CRANE kg | COLUMN BY m kg |
| 250 | 6 | U | U | 3.5 | 5.5 | EH35U64 | 2780 | 2250 | 436 | 190 | 1080 | 200 | 17 | 0.6 | 23 | 0.4 | 420 | 43.5 |
| | 7 | U | U | 3.5 | 5.5 | EH35U74 | 2780 | 2250 | 436 | 190 | 1200 | *152 | 17 | 0.6 | 26 | 0.4 | 507 | 43.5 |
| | 8 | V | V | 4 | 6 | EH40V84 | 3022 | 2492 | 463 | 190 | 1210 | *152 | 20 | 0.6 | 30 | 0.4 | 765 | 64 |
| 500 | 4 | U | U | 3.5 | 5.5 | EH35U45 | 2780 | 2250 | 436 | 190 | 960 | 200 | 17 | 1 | 25 | 0.4 | 370 | 43.5 |
| | 5 | U | U | 3.5 | 5.5 | EH35U55 | 2780 | 2250 | 436 | 190 | 1020 | 200 | 17 | 0.8 | 25 | 0.4 | 395 | 43.5 |
| | 6 | V | V | 4 | 6 | EH40V65 | 3022 | 2492 | 463 | 190 | 1090 | 200 | 20 | 0.6 | 23 | 0.4 | 600 | 64 |
| 1000 | 7 | V | V | 4 | 6 | EH40V75 | 3022 | 2492 | 463 | 190 | 1210 | *152 | 20 | 0.6 | 26 | 0.4 | 720 | 64 |
| | 8 | Z | Z1 | 4 | 6 | EH40Z85 | 3022 | 2492 | 513 | 190 | 1210 | *152 | 20 | 0.6 | 30 | 0.4 | 850 | 75.2 |
| | 4 | V | V | 4 | 6 | EH40V47 | 3022 | 2492 | 463 | 190 | 970 | 200 | 20 | 1 | 25 | 0.4 | 538 | 64 |
| 1600 | 5 | V | V | 4 | 6 | EH40V57 | 3022 | 2492 | 463 | 190 | 1030 | 200 | 20 | 0.8 | 25 | 0.4 | 570 | 64 |
| | 6 | Z | Z1 | 4 | 6 | EH40Z67 | 3022 | 2492 | 513 | 190 | 1090 | 240 | 20 | 0.6 | 23 | 0.4 | 737 | 75.2 |
| | 7 | Z | Z1 | 4 | 6 | EH40Z77 | 3022 | 2492 | 513 | 190 | 1210 | *152 | 20 | 0.6 | 26 | 0.4 | 805 | 75.2 |
| 2000 | 8 | Z | Z2 | 4 | 6 | EH40Z87 | 3022 | 2492 | 513 | 190 | 1210 | *152 | 20 | 0.6 | 30 | 0.4 | 850 | 75.2 |
| | 6 | Z | Z2 | 4 | 6 | EH40Z68 | 3022 | 2492 | 513 | 210 | 1170 | *152 | 20 | 0.6 | 23 | 0.4 | 767 | 75.2 |
| | 4 | Z | Z2 | 4 | 6 | EH40Z49 | 3022 | 2492 | 513 | 210 | 990 | 240 | 20 | 0.8 | 20 | 0.4 | 660 | 75.2 |
| 2000 | 5 | Z | Z2 | 4 | 6 | EH40Z59 | 3022 | 2492 | 513 | 210 | 1050 | 240 | 20 | 0.6 | 20 | 0.4 | 697 | 75.2 |

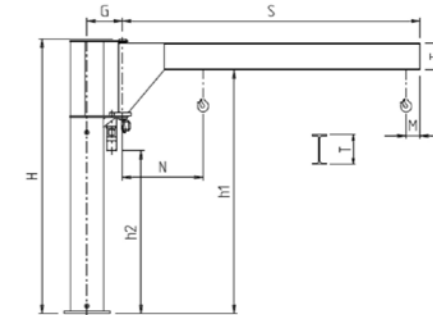
* Profiled girder type HEA160

MBE/CBE SERIES JIB CRANES – T VERSION – MOTORISED ARM CANTILEVER VERSION

Wall-mounted jib crane
Rotation 290°



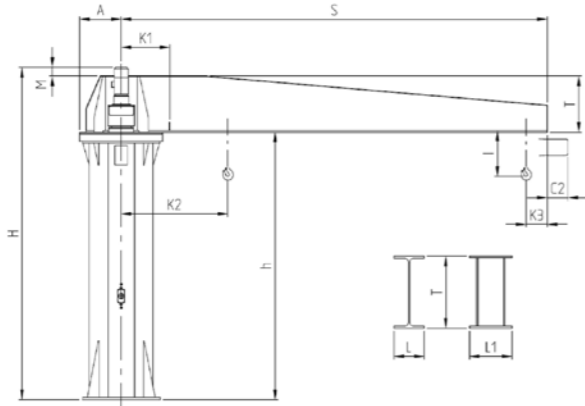
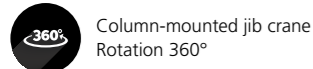
Wall-mounted jib crane
Rotation 290°



| LIFTING CAPACITY (kg) | ARM S m | SIZE OF JIB CRANE | TYPE | MBE SERIES WALL-MOUNTED JIB CRANE - T VERSION - MOTORISED ARM IN CANTILEVER VERSION | | | | | | | | | | | | | | MOTOR POWER kW | WEIGHT JIB CRANE kg |
|-----------------------|---------|-------------------|---------|---|-----|------|-----|-----|-----|------|-----|----|-----|------|-----------|---------------------------|------------------|----------------|---------------------|
| | | | | OVERALL DIMENSIONS (mm) | | | | | | | | | | | ARM SPEED | | | | |
| | | | | A | B | C | C1 | C2 | D | E | F | Ø | M | N | T (IPE) | NO. OF REVOLUTIONS R.P.M. | PERIPHERAL m/min | | |
| 500 | 4 | D | ET02D45 | 340 | 406 | 930 | 524 | 378 | 250 | 870 | 190 | 22 | 190 | 910 | 300 | 1 | 25 | 0.4 | 313 |
| | 5 | D | ET02D55 | 340 | 406 | 930 | 524 | 378 | 250 | 870 | 190 | 22 | 190 | 970 | 300 | 0.8 | 25 | 0.4 | 355 |
| | 6 | E | ET03E65 | 365 | 500 | 1240 | 740 | 348 | 300 | 1160 | 220 | 34 | 190 | 1080 | 360 | 0.6 | 23 | 0.4 | 574 |
| | 7 | E | ET03E75 | 365 | 540 | 1240 | 700 | 348 | 300 | 1160 | 220 | 34 | 190 | 1270 | 400 | 0.6 | 26 | 0.4 | 680 |
| 1000 | 2 | D | ET02D27 | 340 | 406 | 930 | 524 | 378 | 250 | 870 | 190 | 22 | 190 | 850 | 300 | 1.6 | 20 | 0.4 | 229 |
| | 3 | D | ET02D37 | 340 | 406 | 930 | 524 | 378 | 250 | 870 | 190 | 22 | 190 | 910 | 300 | 1.2 | 23 | 0.4 | 271 |
| | 4 | E | ET03E47 | 365 | 500 | 1240 | 740 | 348 | 300 | 1160 | 220 | 34 | 190 | 970 | 360 | 1 | 25 | 0.4 | 456 |
| 1600 | 5 | E | ET03E57 | 365 | 500 | 1240 | 740 | 348 | 300 | 1160 | 220 | 34 | 190 | 1030 | 360 | 0.8 | 25 | 0.4 | 514 |
| | 6 | F | ET03F67 | 365 | 500 | 1240 | 740 | 348 | 300 | 1160 | 220 | 34 | 190 | 1080 | 360 | 0.6 | 23 | 0.4 | 574 |
| | 6 | F | ET03F68 | 365 | 590 | 1240 | 650 | 348 | 300 | 1160 | 220 | 34 | 210 | 1200 | 450 | 0.6 | 23 | 0.4 | 714 |
| 2000 | 2 | E | ET03E29 | 365 | 500 | 1240 | 740 | 348 | 300 | 1160 | 220 | 34 | 210 | 930 | 360 | 1.6 | 20 | 0.4 | 341 |
| | 3 | E | ET03E39 | 365 | 500 | 1240 | 740 | 348 | 300 | 1160 | 220 | 34 | 210 | 990 | 360 | 1.2 | 23 | 0.4 | 399 |
| | 4 | F | ET03F49 | 365 | 540 | 1240 | 700 | 348 | 300 | 1160 | 220 | 34 | 210 | 1080 | 400 | 0.8 | 20 | 0.4 | 508 |
| 2000 | 5 | F | ET03F59 | 365 | 590 | 1240 | 650 | 348 | 300 | 1160 | 220 | 34 | 210 | 1130 | 450 | 0.6 | 20 | 0.4 | 635 |

| LIFTING CAPACITY (kg) | ARM S m | SIZE OF JIB CRANE | COUNTERPLATE | CBE SERIES COLUMN-MOUNTED JIB CRANE - T VERSION - MOTORISED ARM IN CANTILEVER VERSION | | | | | | | | | | | | | | |
|-----------------------|---------|-------------------|--------------|---|------|---------|-------------------------|------|-----|-----|------|-----------|----|---------------------------|------------------|----------------|--------------|----------------|
| | | | | HEIGHT H mm | | TYPE | OVERALL DIMENSIONS (mm) | | | | | ARM SPEED | | WEIGHT | | | | |
| | | | | BASE | MAX. | | h1 | h2 | G | M | N | T (IPE) | Δ | NO. OF REVOLUTIONS R.P.M. | PERIPHERAL m/min | MOTOR POWER kW | JIB CRANE kg | COLUMN BY m kg |
| 500 | 4 | U | U | 3.5 | 5.5 | ET35U45 | 3152 | 2250 | 436 | 190 | 910 | 300 | 17 | 1 | 25 | 0.4 | 476 | 43.5 |
| | 5 | U | U | 3.5 | 5.5 | ET35U55 | 3152 | 2250 | 436 | 190 | 970 | 300 | 17 | 0.8 | 25 | 0.4 | 518 | 43.5 |
| | 6 | V | V | 4 | 5 | ET40V65 | 3580 | 2492 | 463 | 190 | 1080 | 360 | 20 | 0.6 | 23 | 0.4 | 840 | 64 |
| | 6 | Z | Z1 | 4 | 6 | ET40Z65 | 3580 | 2492 | 513 | 190 | 1080 | 360 | 20 | 0.6 | 23 | 0.4 | 927 | 75.2 |
| | 7 | V | V | 4 | 4 | ET40V75 | 3540 | 2452 | 463 | 190 | 1270 | 400 | 20 | 0.6 | 26 | 0.4 | 945 | 64 |
| | 7 | Z | Z1 | 4 | 6 | ET40Z75 | 3540 | 2452 | 513 | 190 | 1270 | 400 | 20 | 0.6 | 26 | 0.4 | 1032 | 75.2 |
| 1000 | 2 | U | U | 3.5 | 5.5 | ET35U27 | 3152 | 2250 | 436 | 190 | 850 | 300 | 17 | 1.6 | 20 | 0.4 | 392 | 43.5 |
| | 3 | U | U | 3.5 | 5.5 | ET35U37 | 3152 | 2250 | 436 | 190 | 910 | 300 | 17 | 1.2 | 23 | 0.4 | 434 | 43.5 |
| | 4 | V | V | 4 | 6 | ET40V47 | 3580 | 2492 | 463 | 190 | 970 | 360 | 20 | 1 | 25 | 0.4 | 722 | 64 |
| 1600 | 5 | V | V | 4 | 6 | ET40V57 | 3580 | 2492 | 463 | 190 | 1030 | 360 | 20 | 0.8 | 25 | 0.4 | 780 | 64 |
| | 6 | Z | Z1 | 4 | 6 | ET40Z67 | 3580 | 2492 | 513 | 190 | 1080 | 360 | 20 | 0.6 | 23 | 0.4 | 927 | 75.2 |
| | 2 | V | V | 4 | 6 | ET40V29 | 3580 | 2492 | 463 | 210 | 930 | 360 | 20 | 1.6 | 20 | 0.4 | 607 | 64 |
| 2000 | 3 | V | V | 4 | 6 | ET40V39 | 3580 | 2492 | 463 | 210 | 990 | 360 | 20 | 1.2 | 23 | 0.4 | 665 | 64 |
| | 4 | Z | Z2 | 4 | 6 | ET40Z49 | 3540 | 2492 | 513 | 210 | 1080 | 400 | 20 | 0.8 | 20 | 0.4 | 832 | 75.2 |

GBR SERIES COLUMN-MOUNTED JIB CRANE – ELECTRICALLY ROTATED AT 360° CONTINUOUSLY



GBR jib cranes with DRH electric wire rope hoist:

$K2 = K1 + (C+1) \cdot S$ * referring to the fixed mechanical limit switch
 $K3 = (C+S3)$ * referring to fixed mechanical limit switch
 I^* and $C2^*$ = (*) See commercial catalogue for DRH hoists

GBR jib cranes with DMK electrical chain hoist:

$K2 = K1 + (M/2)$ * referring to fixed mechanical limit switch
 $K3 = (M/2)$ * referring to fixed mechanical limit switch
 I^* = (*) See commercial catalogue for DMK hoists


Total height H^* and dimension M^* may vary in relation to the motored version

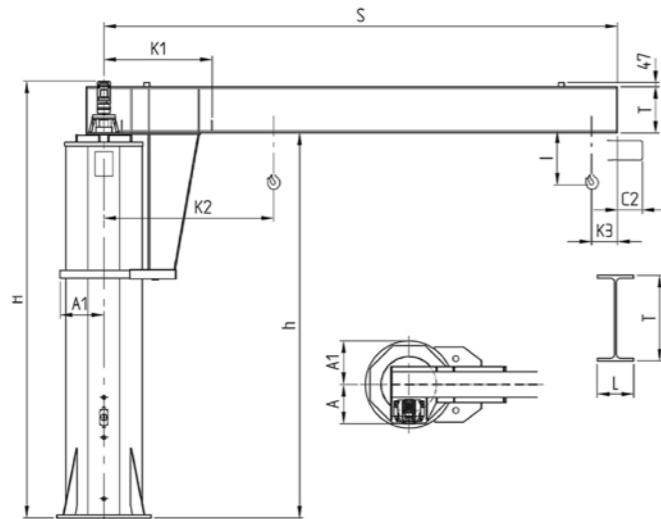
| LIFTING CAPACITY (kg) | ARM S m | SIZE OF JIB CRANE | GBR SERIES COLUMN-MOUNTED JIB CRANE - ELECTRICALLY ROTATED AT 360° CONTINUOUSLY | | | | | | | | | | | | | | | |
|-----------------------|---------|-------------------|---|---------------|-------------------------|-----|-----|-----|-----|-----|-----|---------------------------|------------------|----------------|----------------------|---------------------------------|--------------|----------------|
| | | | TYPE | *UNDER BEAM h | OVERALL DIMENSIONS (mm) | | | | | | | ARM SPEED | | MOTOR POWER kW | TILTING MOMENTUM kNm | MAXIMUM PULL OF THE LUG BOLT kN | WEIGHT | |
| | | | | | H* | K1 | A | M* | T | L | L1 | NO. OF REVOLUTIONS R.P.M. | PERIPHERAL m/min | | | | JIB CRANE kg | COLUMN BY m kg |
| 1000 | 4 | 2 | 2E4040 | 4000 | 4663 | 525 | 425 | 335 | 330 | 160 | - | 0.93 | 23.4 | 0.25 | 62 | 79 | 1100 | 122.5 |
| | 4.5 | 2 | 2E4540 | 4000 | 4663 | 525 | 425 | 305 | 360 | 170 | - | 0.93 | 26.3 | 0.25 | 71 | 79 | 1140 | 122.5 |
| | 5 | 2 | 2E5040 | 4000 | 4663 | 525 | 425 | 305 | 360 | 170 | - | 0.93 | 29.2 | 0.25 | 81 | 79 | 1170 | 122.5 |
| | 5.5 | 2 | 2E5540 | 4000 | 4797 | 525 | 425 | 385 | 400 | 180 | - | 0.57 | 19.7 | 0.25 | 90 | 79 | 1300 | 122.5 |
| | 6 | 2 | 2E6040 | 4000 | 4797 | 525 | 425 | 385 | 400 | 180 | - | 0.57 | 21.5 | 0.25 | 102 | 79 | 1335 | 122.5 |
| | 6.5 | 2 | 2E6540 | 4000 | 4797 | 525 | 425 | 220 | 565 | - | 300 | 0.57 | 23.3 | 0.25 | 112 | 79 | 1460 | 122.5 |
| | 7 | 2 | 2E7040 | 4000 | 4797 | 525 | 425 | 220 | 565 | - | 300 | 0.57 | 25 | 0.25 | 125 | 79 | 1500 | 122.5 |
| | 7.5 | 2 | 2E7540 | 4000 | 4797 | 525 | 425 | 220 | 565 | - | 300 | 0.57 | 27.3 | 0.25 | 135 | 79 | 1540 | 122.5 |
| | 8 | 3 | 3E8040 | 4000 | 4862 | 575 | 475 | 233 | 617 | - | 300 | 0.43 | 26.9 | 0.25 | 149 | 126 | 1800 | 141.6 |
| | 8.5 | 3 | 3E8540 | 4000 | 4862 | 575 | 475 | 233 | 617 | - | 300 | 0.43 | 23 | 0.25 | 160 | 126 | 1850 | 141.6 |
| 2000 | 9 | 3 | 3E9040 | 4000 | 4862 | 575 | 475 | 227 | 623 | - | 300 | 0.43 | 24.3 | 0.25 | 181 | 126 | 2280 | 141.6 |
| | 9.5 | 3 | 3E9540 | 4000 | 4862 | 575 | 475 | 227 | 623 | - | 300 | 0.43 | 25.6 | 0.25 | 195 | 126 | 2360 | 141.6 |
| | 10 | 3 | 3E1040 | 4000 | 4862 | 575 | 475 | 227 | 623 | - | 300 | 0.43 | 27 | 0.25 | 208 | 126 | 2440 | 141.6 |
| | 10.5 | 3 | 3E1540 | 4000 | 4862 | 575 | 475 | 227 | 623 | - | 300 | 0.43 | 28.3 | 0.25 | 221 | 126 | 2520 | 176.5 |
| | 4 | 2 | 2H4040 | 4000 | 4663 | 525 | 425 | 265 | 400 | 180 | - | 0.87 | 21.9 | 0.37 | 109 | 79 | 1160 | 122.5 |
| | 4.5 | 2 | 2H4540 | 4000 | 4797 | 525 | 425 | 335 | 450 | 190 | - | 0.78 | 22 | 0.37 | 126 | 79 | 1300 | 122.5 |
| | 5 | 2 | 2H5040 | 4000 | 4797 | 525 | 425 | 335 | 450 | 190 | - | 0.78 | 24.5 | 0.37 | 142 | 79 | 1340 | 122.5 |
| | 5.5 | 2 | 2H5540 | 4000 | 4797 | 525 | 425 | 220 | 565 | - | 300 | 0.78 | 27 | 0.37 | 161 | 79 | 1380 | 122.5 |
| | 6 | 2 | 2H6040 | 4000 | 4797 | 525 | 425 | 220 | 565 | - | 300 | 0.78 | 29.4 | 0.37 | 179 | 79 | 1530 | 152.6 |
| | 6.5 | 3 | 3H6540 | 4000 | 4862 | 575 | 475 | 227 | 623 | - | 300 | 0.53 | 21.5 | 0.37 | 202 | 126 | 1860 | 141.6 |
| 3200 | 7 | 3 | 3H7040 | 4000 | 4862 | 575 | 475 | 227 | 623 | - | 300 | 0.53 | 23.2 | 0.37 | 221 | 126 | 2045 | 176.5 |
| | 7.5 | 3 | 3H7540 | 4000 | 4862 | 575 | 475 | 177 | 673 | - | 300 | 0.53 | 24.8 | 0.37 | 241 | 126 | 2130 | 176.5 |
| | 8 | 3 | 3H8040 | 4000 | 4862 | 575 | 475 | 177 | 673 | - | 300 | 0.53 | 26.5 | 0.37 | 260 | 126 | 2185 | 176.5 |
| | 8.5 | 4 | 4H8540 | 4000 | 4832 | 588 | 488 | 147 | 673 | - | 300 | 0.49 | 26.4 | 0.37 | 282 | 183 | 2550 | 219.7 |
| | 9 | 4 | 4H9040 | 4000 | 4832 | 588 | 488 | 147 | 673 | - | 300 | 0.49 | 27.9 | 0.37 | 303 | 183 | 2590 | 219.7 |
| | 9.5 | 4 | 4H9540 | 4000 | 4832 | 588 | 488 | 97 | 723 | - | 300 | 0.49 | 29.5 | 0.37 | 326 | 183 | 2870 | 273.5 |
| | 10 | 5 | 5H1040 | 4000 | 4832 | 686 | 586 | 97 | 723 | - | 300 | 0.4 | 25.4 | 0.37 | 348 | 183 | 2880 | 183.6 |
| | 10.5 | 5 | 5H1540 | 4000 | 4832 | 686 | 586 | 97 | 723 | - | 300 | 0.4 | 26.6 | 0.37 | 372 | 183 | 2925 | 183.6 |

* For other standard heights see the table on page 6

| LIFTING CAPACITY (kg) | ARM S m | SIZE OF JIB CRANE | GBR SERIES COLUMN-MOUNTED JIB CRANE - ELECTRICALLY ROTATED AT 360° CONTINUOUSLY | | | | | | | | | | | | | | | |
|-----------------------|---------|-------------------|---|---------------|-------------------------|-----|-----|-----|-----|-----|-----|---------------------------|------------------|----------------|----------------------|---------------------------------|--------------|----------------|
| | | | TYPE | *UNDER BEAM h | OVERALL DIMENSIONS (mm) | | | | | | | ARM SPEED | | MOTOR POWER kW | TILTING MOMENTUM kNm | MAXIMUM PULL OF THE LUG BOLT kN | WEIGHT | |
| | | | | | H* | K1 | A | M* | T | L | L1 | NO. OF REVOLUTIONS R.P.M. | PERIPHERAL m/min | | | | JIB CRANE kg | COLUMN BY m kg |
| 3200 | 4 | 2 | 2J4040 | 4000 | 4797 | 525 | 425 | 335 | 450 | 190 | - | 0.93 | 23.4 | 0.37 | 164 | 79 | 1380 | 152.6 |
| | 4.5 | 3 | 3J4540 | 4000 | 4797 | 575 | 475 | 168 | 617 | - | 300 | 0.91 | 25.7 | 0.37 | 191 | 126 | 1490 | 141.6 |
| | 5 | 3 | 3J5040 | 4000 | 4797 | 575 | 475 | 168 | 617 | - | 300 | 0.91 | 28.6 | 0.37 | 215 | 126 | 1525 | 141.6 |
| | 5.5 | 3 | 3J5540 | 4000 | 4862 | 575 | 475 | 227 | 623 | - | 300 | 0.63 | 21.8 | 0.37 | 242 | 126 | 1755 | 141.6 |
| | 6 | 3 | 3J6040 | 4000 | 4862 | 575 | 475 | 227 | 623 | - | 300 | 0.63 | 23.8 | 0.37 | 268 | 126 | 1940 | 176.5 |
| | 6.5 | 4 | 4J6540 | 4000 | 4832 | 588 | 488 | 147 | 673 | - | 300 | 0.59 | 24.2 | 0.37 | 295 | 183 | 2330 | 219.7 |
| | 7 | 4 | 4J7040 | 4000 | 4832 | 588 | 488 | 147 | 673 | - | 300 | 0.49 | 21.8 | 0.37 | 322 | 183 | 2585 | 273.5 |
| | 7.5 | 5 | 5J7540 | 4000 | 4832 | 686 | 586 | 97 | 723 | - | 300 | 0.5 | 23.8 | 0.37 | 353 | 183 | 2575 | 183.6 |
| | 8 | 5 | 5J8040 | 4000 | 4832 | 686 | 586 | 47 | 773 | - | 300 | 0.5 | 25.4 | 0.37 | 381 | 183 | 2695 | 183.6 |
| | 8.5 | 5 | 5J8540 | 4000 | 4832 | 686 | 586 | 44 | 776 | - | 300 | 0.4 | 21.6 | 0.37 | 411 | 183 | 2990 | 229 |
| 4000 | 9 | 5 | 5J9040 | 4000 | 4832 | 686 | 586 | 44 | 776 | - | 300 | 0.4 | 22.8 | 0.37 | 440 | 183 | 3055 | 229 |
| | 9.5 | 5 | 5J9540 | 4000 | 4862 | 686 | 586 | 114 | 826 | - | 300 | 0.35 | 21 | 0.55 | 472 | 183 | 3235 | 229 |
| | 10 | 5 | 5J1040 | 4000 | 4862 | 686 | 586 | 114 | 826 | - | 300 | 0.35 | 22 | 0.55 | 502 | 183 | 3485 | 274 |
| | 10.5 | 5 | 5J1540 | 4000 | 4862 | 686 | 586 | 114 | 826 | - | 300 | 0.35 | 23.2 | 0.55 | 535 | 183 | 3555 | 274 |
| | 4 | 3 | 3K4040 | 4000 | 4797 | 575 | 475 | 112 | 673 | - | 300 | 0.91 | 22.9 | 0.37 | 208 | 126 | 1575 | 141.6 |
| | 4.5 | 3 | 3K4540 | 4000 | 4797 | 575 | 475 | 112 | 673 | - | 300 | 0.91 | 25.7 | 0.37 | 239 | 126 | 1770 | 176.5 |
| | 5 | 3 | 3K5040 | 4000 | 4797 | 575 | 475 | 112 | 673 | - | 300 | 0.91 | 28.6 | 0.37 | 270 | 126 | 1835 | 176.5 |
| | 5.5 | 4 | 4K5540 | 4000 | 4857 | 588 | 488 | 172 | 673 | - | 300 | 0.64 | 22.1 | 0.55 | 301 | 183 | 2415 | 273.5 |
| | 6 | 4 | 4K6040 | 4000 | 4857 | 588 | 488 | 72 | 773 | - | 300 | 0.64 | 24.1 | 0.55 | 335 | 183 | 2525 | 273.5 |
| | 6.5 | 5 | 5K6540 | 4000 | 4857 | 686 | 586 | 72 | 773 | - | 300 | 0.53 | 21.6 | 0.55 | 367 | 183 | 2510 | 183.6 |
| 5000 | 7 | 5 | 5K7040 | 4000 | 4857 | 686 | 586 | 69 | 776 | - | 300 | 0.53 | 23.3 | 0.55 | 402 | 183 | 2805 | 229 |
| | 7.5 | 5 | 5K7540 | 4000 | 4857 | 686 | 586 | 69 | 776 | - | 300 | 0.53 | 25 | 0.55 | 435 | 183 | 2860 | 229 |
| | 8 | 5 | 5K8040 | 4000 | 4857 | 686 | 586 | 19 | 826 | - | 300 | 0.53 | 26.6 | 0.55 | 471 | 183 | 2965 | 229 |
| | 8.5 | 5 | 5K8540 | 4000 | 4938 | 686 | 586 | 114 | 826 | - | 300 | 0.44 | 23.5 | 0.55 | 505 | 183 | 3280 | 274 |
| | 9 | 5 | 5K9040 | 4000 | 4938 | 686 | 586 | 114 | 826 | - | 300 | 0.44 | 24.9 | 0.55 | 540 | 183 | 3350 | 274 |
| | 9.5 | 5 | 5K9540 | 4000 | 4925 | 700 | 600 | 97 | 830 | - | 300 | 0.44 | 26.2 | 0.55 | 578 | 183 | 3575 | 274 |
| | 10 | 5 | 5K1040 | 4000 | 4925 | 700 | 600 | 97 | 830 | - | 300 | 0.35 | 22.1 | 0.55 | 619 | 183 | 3655 | 341.6 |
| | 10.5 | 5 | 5K1540 | 4000 | 4925 | 700 | 600 | 97 | 830 | - | 300 | 0.35 | 23.2 | 0.55 | 648 | 183 | 3725 | 341.6 |
| | 4 | 3 | 3L4040 | 4000 | 4797 | 575 | 475 | 112 | 673 | - | 300 | 0.91 | 22.9 | 0.37 | 253 | 126 | 1705 | 176.5 |
| | 4.5 | 4 | 4L4540 | 4000 | 4857 | 738 | 488 | 122 | 723 | - | 300 | 0.77 | 21.7 | 0.55 | 291 | 183 | 2105 | 219.7 |
| 6300 | 5 | 4 | 4L5040 | 4000 | 4857 | 738 | 488 | 122 | 723 | - | 300 | 0.77 | 24.1 | 0.55 | 328 | 183 | 2150 | 219.7 |
| | 5.5 | 5 | 5L5540 | 4000 | 4938 | 836 | 586 | 217 | 723 | - | 300 | 0.66 | 22.7 | 0.55 | 365 | 183 | 2415 | 183.6 |
| | 6 | 5 | 5L6040 | 4000 | 4938 | 836 | 586 | 164 | 776 | - | 300 | 0.66 | 24.8 | 0.55 | 405 | 183 | 2560 | 183.6 |
| | 6.5 | 5 | 5L6540 | 4000 | 4938 | 836 | 586 | 114 | 826 | - | 300 | 0.53 | 21.5 | 0.55 | 446 | 183 | 2850 | 229 |
| | 7 | 5 | 5L7040 | 4000 | 4938 | 836 | 586 | 114 | 826 | - | 300 | 0.53 | 23.1 | 0.55 | 485 | 183 | 2910 | 229 |
| | 7.5 | 5 | 5L7540 | 4000 | 4938 | 836 | 586 | 114 | 826 | - | 300 | 0.53 | 24.8 | 0.55 | 525 | 183 | 2980 | 229 |
| | 8 | 5 | 5L8040 | 4000 | 4925 | 850 | 600 | 97 | 830 | - | 300 | 0.53 | 26.5 | 0.55 | 567 | 183 | 3360 | 274 |
| | 8.5 | 5 | 5L8540 | 4000 | 4948 | 850 | 600 | 120 | 830 | - | 300 | 0.36 | 19.3 | 0.75 | 608 | 183 | 3715 | 341.6 |
| | 9 | 5 | 5L9040 | 4000 | 4948 | 850 | 600 | 120 | 830 | - | 300 | 0.36 | 20.4 | 0.75 | 649 | 183 | 3785 | 341.6 |
| | 9.5 | 6 | 6L9540 | 4000 | 4948 | 923 | 673 | 120 | 830 | - | 300 | 0.41 | 24.4 | 0.75 | 691 | 183 | 4025 | 311.5 |
| 8000 | 10 | 6 | 6L1040 | 4000 | 4948 | 923 | 673 | 120 | 830 | - | 300 | 0.33 | 20.6 | 0.75 | 733 | 183 | 4110 | 311.5 |
| | 10.5 | 6 | 6L1540 | 4000 | 4948 | 923 | 673 | 120 | 830 | - | 300 | 0.33 | 21.6 | 0.75 | 777 | 183 | 4180 | 311.5 |
| | 4 | 4 | 4M4040 | 4000 | 4857 | 738 | 488 | 122 | 723 | - | 300 | 0.96 | 24.1 | 0.55 | | | | |

GBL SERIES COLUMN-MOUNTED JIB CRANE – ELECTRICALLY/MANUALLY ROTATED AT 360° CONTINUOUSLY

 Column-mounted jib crane
Rotation 360°



GBL jib cranes with DRH electric wire rope hoist:

K2 = K1+(C+I1-S3)* referring to the fixed mechanical limit switch
K3 = (C+S3)* referring to fixed mechanical limit switch
I and C2 = (*) See commercial catalogue for DRH hoists

GBL jib cranes with DMK electrical chain hoist:

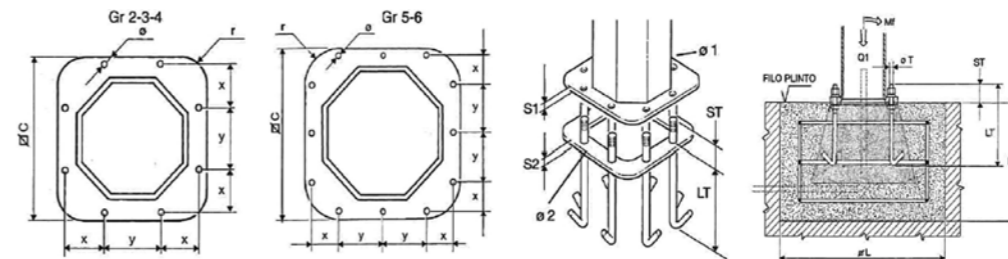
K2 = K1+(M/2)* referring to fixed mechanical limit switch
K3 = (M/2)* referring to fixed mechanical limit switch
I = (*) See commercial catalogue for DMK hoists

| GBL SERIES COLUMN-MOUNTED JIB CRANE - ELECTRICALLY ROTATED AT 360° CONTINUOUSLY | | | | | | | | | | | | | | | | | | |
|---|---------|-------------------|--------|---------------|-------------------------|----------|------|-----|-----|-----|-----|-------------------------|-----------------|----------------|----------------------|---------------------------------|--------------|----------------|
| LIFTING CAPACITY (kg) | ARM S m | SIZE OF JIB CRANE | TYPE | *UNDER BEAM h | OVERALL DIMENSIONS (mm) | | | | | | | | | | ARM SPEED | | WEIGHT | |
| | | | | | TOTAL HEIGHT H | | K1 | A | A1 | T | L | NO. OF REVOLUTIONS /min | PERIPHERAL /min | MOTOR POWER kW | TILTING MOMENTUM kNm | MAXIMUM PULL OF THE LUG BOLT kN | JIB CRANE kg | COLUMN BY m kg |
| | | | | | ELECTRICALLY | MANUALLY | | | | | | | | | | | | |
| 1000 | 4 | 2 | 2E3540 | 3500 | 4100 | 3847 | 820 | 550 | 350 | 300 | 150 | 0,585 | 14,7 | 0,4/0,1 | 63 | 21 | 1350 | 92,7 |
| | 5 | 2 | 2E3550 | 3500 | 4100 | 3907 | 820 | 550 | 350 | 360 | 170 | 0,585 | 18,4 | 0,4/0,1 | 83 | 28 | 1475 | 92,7 |
| | 6 | 2 | 2E3560 | 3500 | 4100 | 3907 | 820 | 550 | 350 | 360 | 170 | 0,585 | 22 | 0,4/0,1 | 103 | 34 | 1535 | 92,7 |
| | 7 | 2 | 2E3570 | 3500 | 4100 | 3947 | 820 | 550 | 350 | 400 | 180 | 0,585 | 25,7 | 0,4/0,1 | 125 | 42 | 1660 | 92,7 |
| 2000 | 8 | 2 | 2E3580 | 3500 | 4100 | 3997 | 820 | 550 | 350 | 450 | 190 | 0,585 | 29,4 | 0,4/0,1 | 150 | 50 | 1825 | 92,7 |
| | 4 | 2 | 2H3540 | 3500 | 4100 | 3907 | 820 | 550 | 350 | 360 | 170 | 0,585 | 14,7 | 0,4/0,1 | 107 | 36 | 1420 | 92,7 |
| | 5 | 2 | 2H3550 | 3500 | 4100 | 3947 | 820 | 550 | 350 | 400 | 180 | 0,585 | 18,4 | 0,4/0,1 | 139 | 46 | 1530 | 92,7 |
| | 6 | 3 | 3H3560 | 3500 | 4100 | 3997 | 950 | 550 | 400 | 450 | 190 | 0,585 | 22 | 0,4/0,1 | 173 | 50 | 1935 | 141,6 |
| 3200 | 7 | 3 | 3H3570 | 3500 | 4100 | 4047 | 950 | 550 | 400 | 500 | 200 | 0,585 | 25,7 | 0,4/0,1 | 210 | 61 | 2113 | 141,6 |
| | 8 | 3 | 3H3580 | 3500 | 4100 | 4097 | 950 | 550 | 400 | 550 | 210 | 0,585 | 29,4 | 0,4/0,1 | 250 | 73 | 2335 | 141,6 |
| | 4 | 2 | 2I3540 | 3500 | 4100 | - | 870 | 550 | 350 | 450 | 190 | 0,585 | 14,7 | 0,4/0,1 | 160 | 53 | 1515 | 92,7 |
| | 5 | 3 | 3I3550 | 3500 | 4100 | - | 950 | 550 | 400 | 500 | 200 | 0,585 | 18,4 | 0,4/0,1 | 208 | 60 | 1930 | 141,6 |
| 4000 | 6 | 3 | 3I3560 | 3500 | 4100 | - | 950 | 550 | 400 | 550 | 210 | 0,585 | 22 | 0,4/0,1 | 258 | 75 | 2123 | 141,6 |
| | 7 | 5 | 5I4070 | 4000 | 4647 | - | 1265 | 550 | 510 | 600 | 220 | 0,585 | 25,7 | 0,63/0,15 | 320 | 48 | 3247 | 183,6 |
| | 4 | 3 | 3K3540 | 3500 | 4100 | - | 950 | 550 | 400 | 450 | 190 | 0,585 | 14,7 | 0,4/0,1 | 198 | 58 | 1780 | 141,6 |
| | 5 | 3 | 3K3550 | 3500 | 4100 | - | 950 | 550 | 400 | 550 | 210 | 0,585 | 18,4 | 0,4/0,1 | 258 | 75 | 2017 | 141,6 |
| 5000 | 6 | 5 | 5K4060 | 4000 | 4647 | - | 1265 | 550 | 510 | 600 | 220 | 0,585 | 22 | 0,63/0,15 | 327 | 50 | 3125 | 183,6 |
| | 7 | 5 | 5K4070 | 4000 | 4647 | - | 1265 | 550 | 510 | 600 | 220 | 0,585 | 25,7 | 0,63/0,15 | 389 | 59 | 3247 | 183,6 |
| | 4 | 3 | 3L3540 | 3500 | 4100 | - | 950 | 550 | 400 | 550 | 210 | 0,585 | 14,7 | 0,4/0,1 | 243 | 71 | 1910 | 141,6 |
| | 5 | 5 | 5L4050 | 4000 | 4647 | - | 1265 | 550 | 510 | 600 | 220 | 0,585 | 18,4 | 0,63/0,15 | 320 | 49 | 3005 | 183,6 |
| 5000 | 6 | 5 | 5L4060 | 4000 | 4647 | - | 1265 | 550 | 510 | 600 | 220 | 0,585 | 22 | 0,63/0,15 | 393 | 60 | 3125 | 183,6 |
| | 7 | 5 | 5L4070 | 4000 | 4615 | - | 1265 | 550 | 510 | 490 | 300 | 0,585 | 25,7 | 0,63/0,15 | 474 | 72 | 3475 | 183,6 |

Attention: manually rotated jib cranes available for capacity up to 2000 Kg

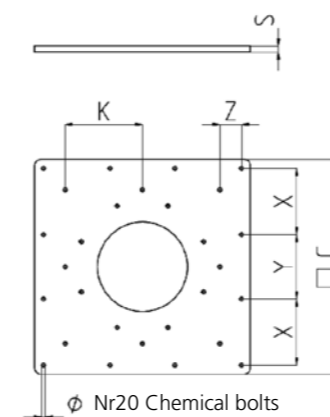
* For other standard heights see the table on page 6

BASE PLATES, FOUNDATION FRAMES AND PLINTHS FOR GBR/GBL SERIES COLUMN-MOUNTED CRANES



| SIZE OF JIB CRANE | 2 | 3 | 4 | 5 | 6 | |
|--|--------|-----------|-----------|--------|-----------|------|
| ∅ C | 750 | 860 | 910 | 1100 | 1220 | |
| S1 | 20 | 25 | 30 | 35 | 40 | |
| S2 | 10 | 10 | 10 | 10 | 10 | |
| x | 199 | 230 | 241 | 185 | 215 | |
| y | 281 | 325 | 341 | 320 | 350 | |
| Ø 1 | 27 | 33 | 39 | 39 | 39 | |
| Ø 2 | 25 | 31 | 37 | 37 | 37 | |
| r | 150 | 170 | 180 | 220 | 240 | |
| ∅ T | M 24x3 | M 30x3.5 | M 36x4 | M 36x4 | M 36x4 | |
| LT | 600 | 700 | 800 | 800 | 800 | |
| ST | 90 | 105 | 125 | 130 | 135 | |
| Bolt clamping torque (Nm) | 350 | 680 | 1200 | 1200 | 1200 | |
| Weight of frame with lug bolts (kg) | 34.5 | 52.5 | 80 | 113 | 120 | |
| Foundation plinth (mm) (see warnings on the previous page) | ∅ L | 2500 | 3000 | 3200 | 4000 | 4200 |
| H | 1150 | 1300 | 1300 | 1300 | 1300 | |
| Max jib crane weight (kg) (without hoist and trolley) | Q1 | 1540/1825 | 2520/2335 | 2870 | 3785/3475 | 4180 |
| Maximum tilting movement allowed (kNm) | Mf | 179/160 | 270/258 | 335 | 649/474 | 788 |

COUNTERPLATES FOR FIXING TO THE FLOOR WITH CHEMICAL BOLTS OF THE GBR-GBL SIZE 2-3 COLUMN-MOUNTED CRANES



| SIZE | 2 | 3 | |
|---|-----------|-----------|------|
| Counterplate code | GBR250140 | GBR350140 | |
| Counterplate dimensions (mm) | ∅ C | 1200 | 1400 |
| | X | 370 | 430 |
| | Y | 360 | 440 |
| | Z | 120 | 170 |
| | K | 430 | 480 |
| | S | 35 | 45 |
| | Ø | 25 | 25 |
| Counterplate weight (kg) | 340 | 600 | |
| Maximum tilting movement allowed (kNm) | Mf* | 200 | 300 |
| Type of concrete of the floor: Minimum Fck/Rck class (N/mm ²) | C20/25 | C20/25 | |
| Type of chemical bolts (e.g.: HILTI HVU with threaded bars HILTI HAS) | M 20 | M20 | |
| Minimum thickness of floor block (mm) | 220 | 220 | |
| Diameter of hole in the floor (mm) | 24 | 24 | |
| Depth of the hole of the concrete in the floor (mm) | 170 | 170 | |
| Clamping torques of the bolts (Nm) | 150 | 150 | |
| Project resistance of traction of one bolt (kN) | 74,6 | 74,6 | |

Fixing of column with chemical bolts, requires a scrupulous verification of suitability in relation to type of support flooring. The suitability checks are the responsibility of the user and must be carried out by expert, qualified technicians who will evaluate the feasibility and formally assume the relative responsibilities.

* For the clamping torques of the bolts between the column and counterplate, see the relative clamping torques for the lug bolts on page 36.

FIXING SYSTEMS FOR JIB CRANES

BRACKET AND STAYBOLTS UNIT FOR GBP/MBB/MBE SERIES WALL-MOUNTED CRANES

| SIZE | A | B | C | D | E | F | |
|----------------|----|------|-------|-------|-------|-------|------|
| Reactions (kN) | Q2 | 2.95 | 5 | 9.2 | 16.85 | 26.10 | 28.2 |
| | R | 11.9 | 21.75 | 27.05 | 49 | 66.8 | 120 |

| TYPE OF BRACKET | 01 | 02 | 03 |
|-----------------|----|----|----|
|-----------------|----|----|----|

Ø Staybolts/screws M16 M20 M30

| Clamping torques (Nm) | Staybolts | 128 | 250 | 857 |
|-----------------------|-----------|-----|-----|------|
| | Screws | 205 | 400 | 1370 |

| Code | GBK010110 | GBP020110 | GBP030110 |
|------|-----------|-----------|-----------|
|------|-----------|-----------|-----------|

| Bracket Type: Short (mm) | U | 50 | 60 | 80 |
|--------------------------|---|-----|-----|-----|
| | V | 420 | 490 | 532 |
| | Z | 75 | 90 | 135 |

Weight (kg) 21 36 75

| Pillar dimensions (mm) | x | min | 200 | 250 | 300 |
|------------------------|---|-----|-----|-----|-----|
| | | max | 330 | 400 | 400 |
| | y | max | 850 | 810 | 750 |

| Code | GBK010120 | GBP020120 | GBP030120 |
|------|-----------|-----------|-----------|
|------|-----------|-----------|-----------|

| Bracket Type: Medium (mm) | U | 50 | 80 | 100 |
|---------------------------|---|-----|-----|-----|
| | V | 550 | 640 | 682 |
| | Z | 75 | 120 | 145 |

Weight (kg) 26 60 96

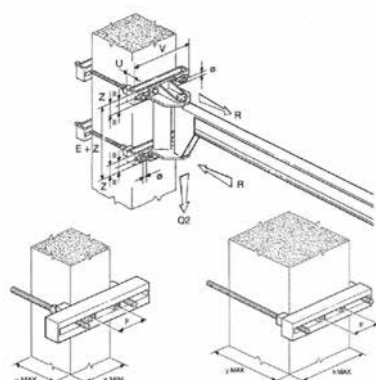
| Pillar dimensions (mm) | x | min | 200 | 250 | 400 |
|------------------------|---|-----|-----|-----|-----|
| | | max | 460 | 550 | 550 |
| | y | max | 850 | 770 | 710 |

| Code | GBK010130 | GBP020130 | GBP030130 |
|------|-----------|-----------|-----------|
|------|-----------|-----------|-----------|

| Bracket Type: Long (mm) | U | 60 | 80 | 120 |
|-------------------------|---|-----|-----|-----|
| | V | 740 | 840 | 882 |
| | Z | 85 | 120 | 155 |

Weight (kg) 40 74 132

| Pillar dimensions (mm) | x | min | 460 | 550 | 550 |
|------------------------|---|-----|-----|-----|-----|
| | | max | 650 | 750 | 750 |
| | y | max | 830 | 770 | 670 |



N.B.: The bracket and staybolts unit, used in the wall-mounted version for fixing the bracket to a pillar, is available on request.

BASE PLATES, FOUNDATION FRAMES AND PLINTHS FOR GBA/CBB/CBE SERIES COLUMN-MOUNTED CRANES

| SIZE | R | S | T | U | V | Z |
|------|---|---|---|---|---|---|
|------|---|---|---|---|---|---|

| | | | | | | | |
|--------------------------------|----|-----|-----|-----|-----|-----|-----|
| Base plate and foundation (mm) | ∅C | 205 | 258 | 296 | 372 | 435 | 515 |
| | ∅P | 275 | 340 | 380 | 475 | 555 | 660 |
| | S1 | 15 | 15 | 15 | 20 | 20 | 25 |
| | S2 | 8 | 8 | 8 | 8 | 8 | 8 |
| | x | 247 | 305 | 345 | 432 | 506 | 599 |
| | y | 103 | 126 | 143 | 179 | 210 | 248 |
| | ∅ | 268 | 330 | 373 | 468 | 548 | 648 |
| r | 88 | 104 | 116 | 145 | 165 | 197 | |
| ∅1 | 16 | 20 | 20 | 25 | 29 | 35 | |
| ∅2 | 13 | 17 | 17 | 21 | 25 | 31 | |

| Lug bolts (mm) | ∅T | M12 | M16 | M16 | M20 | M24 | M30 |
|----------------|----|-----|-----|-----|-----|-----|-----|
| | LT | 400 | 450 | 450 | 550 | 600 | 700 |
| | ST | 40 | 45 | 45 | 55 | 60 | 75 |

Clamping torques (Nm) 45 105 105 200 350 680

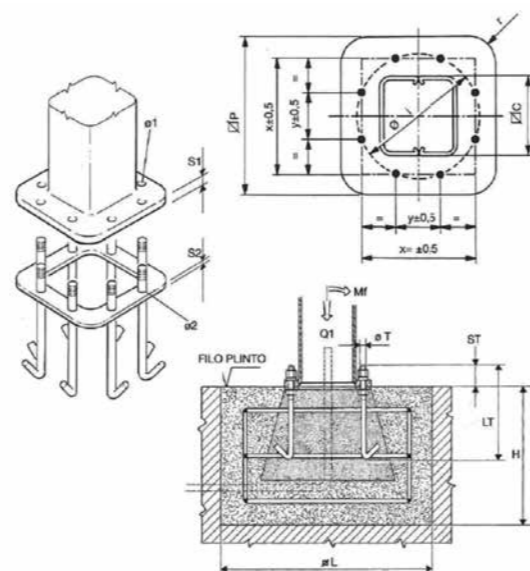
Frame/bolt weight (kg) 5 10 11 17 26 47

| Foundation plinth (mm) | ∅L | 1200 | 1300 | 1400 | 1700 | 2000 | 2400 |
|------------------------|----|------|------|------|------|------|------|
| | H | 800 | 800 | 900 | 900 | 1100 | 1100 |

Reaction (kN) Q1 3.3 5.7 10.15 18.4 28.7 29.35

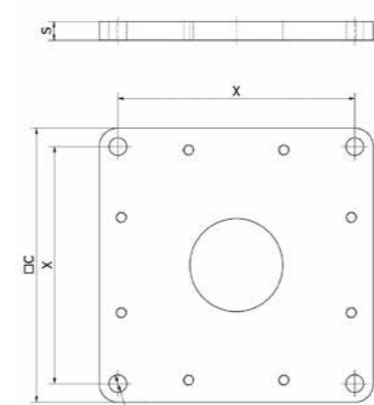
Momentum (kNm) MF 12 21 31 57 107 164

The dimensions of the plinths are purely indicative! The plinth must be dimensioned by expert, qualified technicians considering the real consistency of the ground and the maximum pressure it can withstand.



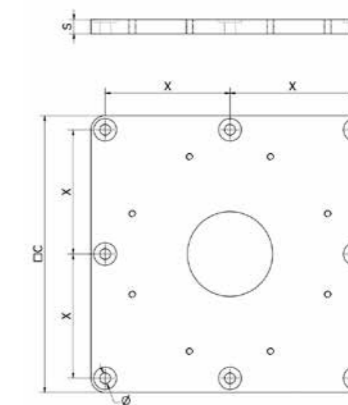
N.B.: The foundation frames with lug bolts, used in the column-mounted version for fixing the column itself to the foundation plinth is supplied on request.
* M= 1,11; ψ= 1,15

COUNTERPLATES FOR FIXING TO THE FLOOR WITH CHEMICAL BOLTS OF THE GBA/CBB/CBE COLUMN-MOUNTED CRANES



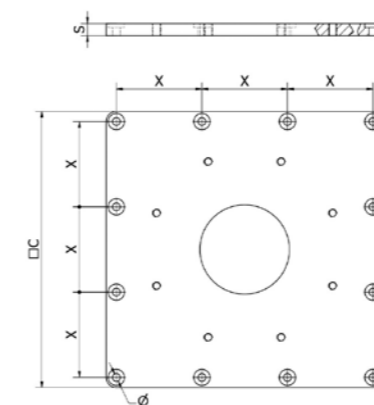
Nr. 4 Chemical bolts

COUNTERPLATES R - S



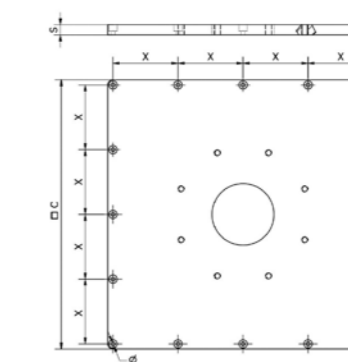
Nr. 8 Chemical bolts

COUNTERPLATES T



Nr. 12 Chemical bolts

COUNTERPLATES U - V - Z1



Nr. 16 Chemical bolts

COUNTERPLATES Z2

The fixing of the column using chemical bolts, needs a scrupulous check of suitability in relation to the type of support flooring. The suitability checks are the responsibility of the user and must be carried out by expert, qualified technicians who will evaluate the feasibility and formally undertake the relative responsibilities.

| SIZE | R | S | T | U | V | Z1 | Z2 |
|---|-----------|-----------|-----------|-----------|-----------|-----------|-----------|
| Counter plate and chemical bolts code | GBA2R0KPS | GBA2S0KPS | GBA2T0KPS | GBA2U0KPS | GBA2V0KPS | GBA2Z1KPS | GBA2Z2KPS |
| Counterplate dimensions (mm) | ∅ C | 295 | 445 | 490 | 680 | 995 | 1310 |
| | S | 20 | 20 | 25 | 30 | 40 | 50 |
| | x | 255 | 395 | 220 | 210 | 315 | 315 |
| | Nr x ∅ | 4x19 | 4x19 | 8x19 | 12x19 | 12x19 | 16x19 |
| Counterplate weight (kg) | 15 | 30 | 45 | 100 | 285 | 375 | 640 |
| Maximum tilting movement allowed (kNm) | Mf* | 11,8 | 20,7 | 31,2 | 56,7 | 107,3 | 164 |
| Type of concrete of the floor: Class Fck/Rck minimum (N/mm ²) | C20/25 | C20/25 | C20/25 | C20/25 | C20/25 | C20/25 | C20/25 |
| Minimum floor thickness (mm) | 170 | 170 | 170 | 170 | 170 | 170 | 170 |
| Diameter of hole in the floor (mm) | 18 | 18 | 18 | 18 | 18 | 18 | 18 |
| Depth of the hole in floor's concrete (mm) | 135 | 135 | 135 | 135 | 135 | 135 | 135 |
| Clamping torque of the bolts (Nm) | 60 | 60 | 60 | 60 | 60 | 60 | 60 |
| Dowel height from top plate surface (mm) | 45 | 45 | 40 | 35 | 25 | 25 | 15 |

* For the clamping torques of the bolts between the column and counterplate, see the relative clamping torques for the lug bolts on page 36.

REGULATIONS COMPLIANCE

REGULATORY REFERENCE FRAMEWORK

In the designing and construction of the manually and electrically rotated, column and wall-mounted jib cranes, the following standards and main technical rules have been taken into consideration:

- ▶ EN ISO 12100:2010 "General principles for design"
- ▶ EN ISO 13849-1:2008 "Safety-related parts of control systems (where required)"
- ▶ EN 12077-2:2008 "Limiting and indicating devices"
- ▶ EN 60204-32:2009 "Safety of machinery. Electrical equipment of machines. Requirements for hoisting machines"
- ▶ EN 60529:1997 "Degrees of protection provided by enclosures (IP Code)"
- ▶ ISO 4301-1:1988 "Cranes and lifting appliances Classification"
- ▶ FEM 1.001/98 "Rules for the design of hoisting appliances"

LEGISLATIVE REFERENCE FRAMEWORK

The manually or electrically rotated column and wall-mounted jib cranes are designed and produced in consideration of the "Essential Safety Requirements" of Annex I of Machinery Directive 2006/42/EC and are put on the market with the CE mark and CE Declaration of Conformity - Annex II A.

In addition the jib cranes are in compliance with the following directives:

- ▶ **LOW VOLTAGE DIRECTIVE 2014/35/UE**
- ▶ **ELECTROMAGNETIC COMPATIBILITY DIRECTIVE 2014/30/UE**



DONATI WEBSITE



Donati's window on the world for customer service.

Manuals and product information

The new Donati website has been designed to assist customers to they can easily find all of the updated information on Donati products at any time. The Donati website makes it simple to consult and download product catalogues, technical manuals and product information sheets.

Donati Shop

The Donati Shop makes it possible to quickly and independently handle spare parts requests, thus reducing waiting times for customers.

Contact Section

The new contact section divided by departments lets you address your requests to the right team, so our staff can provide a faster and more accurate answer.

LEONARDO CONFIGURATION SYSTEM



Leonardo Configuration System is the Donati configurator system lets you configure and generate offers for Chain hoists, Jib cranes and Crane sets, easily and quickly; it lets you rapidly and efficiently respond to your customers' requests.

The suite is composed of two configurators:

Leonardo Product Configurator:

Used to configure chain hoists and jib cranes alone or in combination

Leonardo Crane Set Configurator:

Used to configure bridge cranes complete with all necessary accessories and Donati hoists.



visit donaticranes.com
and keep up to date

Donati Sollevamenti S.r.l.

Via S. Quasimodo, 17
20025 Legnano (MI) - Italy
Tel +39 0331 14811
Fax +39 0331 1481880

dvo.info@donaticranes.com
www.donaticranes.com