



Building on quality

Portable screw
compressors



Reliable mobile compressed air solutions

C14 – C270TS-9

C10-12 to C14

Product range DLT 0101

C10-12 to C14 is a powerful alternative to electrical tools. Small, compact and lightweight, at only 142 kg weight with 1.0 to 1.4 m³/min at 7 to 12 bar. Perfect for a wide-range of repair and installation jobs.



⇒ 1.0 to 1.4 m³ / min

⇒ Honda GX 630V

air cooled petrol engine

⇒ Electric start as standard

easy to start and flexible operation

C20 to C30

Product range DLT 0206

This range has the output to run up to two breakers and are driven by quiet-running energy efficient Kubota engines. With the benefit of a wide engine speed range, fuel savings are increased and the engine reliability and life time are enhanced. The various applications of these compressors can be further enhanced by integrated generators, which can supply power for the site, lighting and electrical tools. With an operating weight of less than 500 kg (unbraked) the compressor can be transported by small vehicles.

⇒ Kubota D1105 /V1505

reliable, energy efficient diesel engine

⇒ Soft start

extends the engine life time by reducing engine stress during start-up and allowing the engine to reach running temperature with the compressor unloaded

⇒ Robust plastic protection

protects the control panel and lighting elements



⇒ Bolted single sheets

the steel canopy is mass galvanised and electrostatically coated, offering excellent protection against damage and corrosion. With bolted single sheets, exchange is both quick and easy

⇒ Easy access hinged hood

with two robust gas struts, the hood is light and easy to open, offering excellent accessibility for easy maintenance

⇒ Transparent plastic fuel tank

extremely robust, the plastic fuel tank allows direct visual level indication and contamination checks to be carried out in seconds

⇒ Progressive volume flow regulation

engine speed and air intake regulation are automatically adapted to compressed air requirement

⇒ Air end with spin-on oil filter cartridge

for quick and easy maintenance

⇒ Internal main switch board

to avoid unauthorised operation

⇒ Central lifting eye

for easy handling by crane

⇒ Operational reliability

designed for -10 to +50°C ambient temperature

⇒ Oil temperature regulation valve

Portable-Control 1

⇒ Fully protected digital display

with tamper proof hour counter

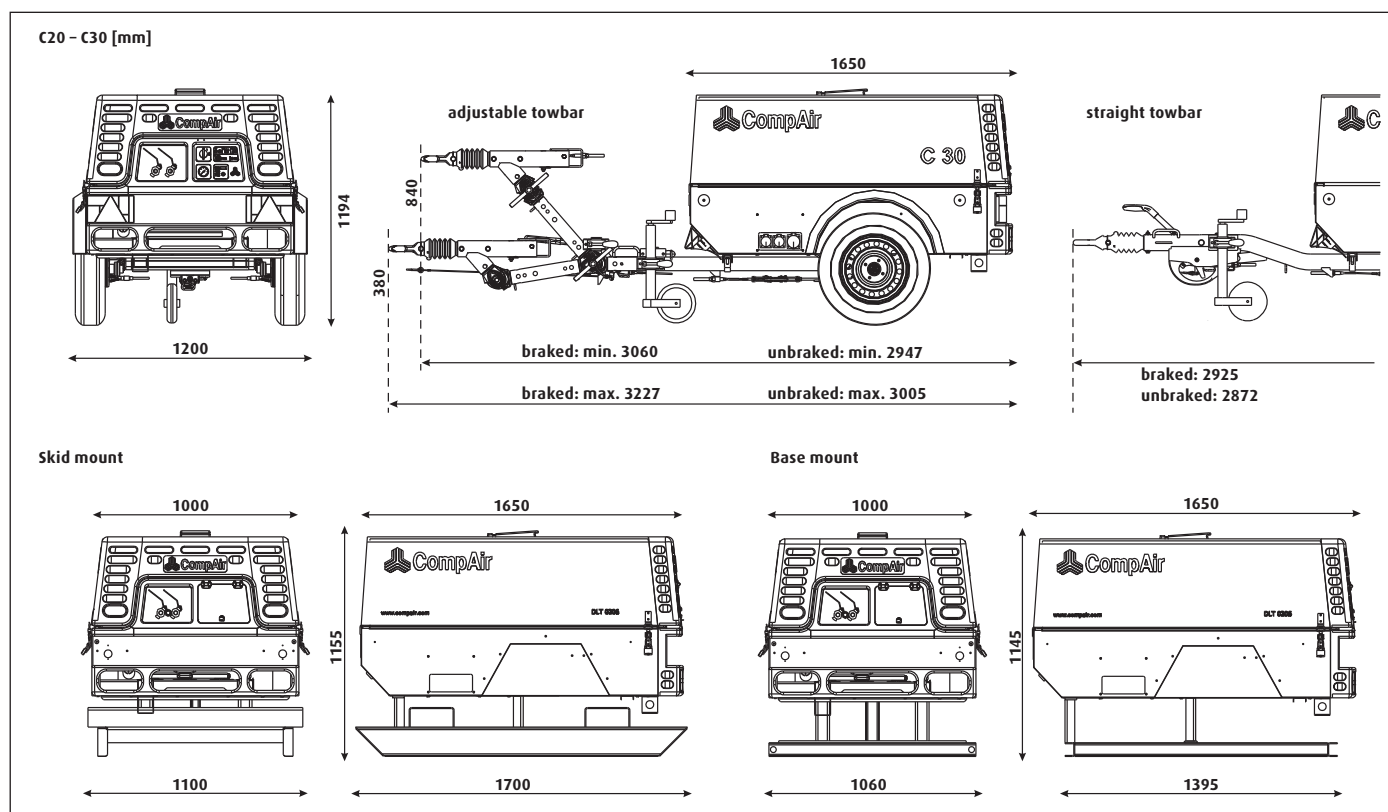
⇒ Automatic protection in case of malfunction:

- Compressor temperature too high
- Engine oil pressure too low
- Engine temperature too high
- Battery voltage too low
- Fuel level too low

⇒ Indication lamps for automatic emergency stop in case of malfunction.

⇒ Start by rotary switch to avoid loss of time caused by lost ignition key.





AirPlus

Options on fold out page →

Product range		DLT 0101			DLT 0206						
Type		C10-12	C12-10	C14	C20	C20GS	C20-14	C25	C25-10	C30	C30G
Operational data											
Volume flow ¹⁾	m ³ /min	1.0	1.2	1.4	2.0	2.0 ²⁾	2.0	2.5	2.5	3.0	3.0 ²⁾
Operating pressure	bar	12	10	7	7	7	14	7	10	7	7
Compressed air outlets		1 x 3/4"			2 x 3/4"						
Engine		Honda GX 630			Kubota D1105	Kubota V1505		Kubota D1105	Kubota V1505		
Installed engine power	kW	13.2	13.2	13.2	16.3	23.1	23.1	19.4	23.1	23.1	23.1
Engine off load speed	1/min	1900	1900	1900	2000	1800	1800	2000	1800	1800	1800
Engine full load speed	1/min	2600	2600	2600	2600	2600	2600	3000	2600	2600	2600
Fuel tank capacity	l	20	20	20	40	40	40	40	40	40	40
Operating weight³⁾											
Portable compressor											
manually transportable	kg	160	160	160	–	–	–	–	–	–	–
adjustable towbar braked	kg	–	–	–	580	658	611	586	610	610	658
adjustable towbar unbraked	kg	–	–	–	539	617	570	545	570	570	617
straight towbar braked	kg	–	–	–	558	636	588	564	588	588	636
straight towbar unbraked	kg	–	–	–	528	606	–	534	558	558	606
Base mount	kg	–	–	–	458	535	–	463	485	485	535
Skid mount	kg	–	–	–	498	575	–	503	525	525	575
Dimensions											
Length	adjustable towbar braked	mm	–	–	–	3169–3227	3169–3227	3169–3227	3169–3227	3169–3227	3169–3227
	straight towbar braked	mm	–	–	–	2925	2925	2925	2925	2925	2925
Width		mm	700	700	700	1200	1200	1200	1200	1200	1200
Height		mm	630	630	630	1194	1194	1194	1194	1194	1194
Length of canopy		mm	960	960	960	1650	1650	1650	1650	1650	1650
Sound level											
Power sound level ⁴⁾	dB(A) LWA	97	97	97	97	98	98	98	98	98	98
Pressure sound level ⁵⁾	dB(A) LPA	69	69	69	69	69	70	69	69	69	69

¹⁾ Acc. to ISO 1217 Ed. 4 2009 Annex D

²⁾ 9 kVA generator (C20GS max. 6 kVA)

³⁾ Operating weight without options

⁴⁾ Legal limiting values of EC directive acc. to 2000/14/EC

⁵⁾ Noise level acc. to PNEUROP PN8NTC2.2 at 7 m

C35-10 to C50

⇒ 3.5 to 5.0 m³ / min

Product range DLT 0408

The highly successful CompAir range C35-10 to C50 is driven by very quiet-running, water-cooled Yanmar 4TNV88BKCP 4-cylinder diesel engines. The compressor is particularly suitable for applications in cities and built-up areas, where stringent restrictions are set on noise emissions. The light construction of under 750 kg (C38 and C42 unbraked) makes the compressor suitable for many different applications and is therefore ideal for use by hire companies. These compact and lightweight compressors are available with various chassis and also with the option of integrated generator or aftercooler or both.

⇒ Yanmar 4TNV88BKCP

quiet-running and low vibration
4-cylinder diesel engine with direct injection

⇒ Soft start

extends the engine life time by reducing engine stress during start-up and allowing the engine to reach running temperature with the compressor unloaded

⇒ Fuel filter

fuel contamination is controlled by high quality filter which includes water separation. In addition to this every compressor has an electronic fuel pump, alarm and fuel cooler

⇒ Easy access hinged hood

with two robust gas struts, the hood is light and easy to open, offering excellent accessibility for easy maintenance

⇒ Bolted single sheets

The steel canopy is mass galvanised and electrostatically coated, offering excellent protection against damage and corrosion. With bolted single sheets, exchange is both quick and easy

⇒ Air filters

separate air filters for engine and air compressor with lighting elements

⇒ Robust plastic protection

protects the control panel and lighting elements



⇒ Progressive volume flow regulation

engine speed and air intake regulation are automatically adapted to compressed air requirement

⇒ Air end with spin-on oil filter cartridge

for quick and easy maintenance

⇒ Transparent plastic fuel tank

allows direct visual level indication and quick contamination checks

⇒ Central lifting eye

for easy handling by crane

⇒ Operational reliability

designed for -10 to +50°C ambient temperature

⇒ Oil temperature regulation valve

ensures safe operation of compressor at low ambient temperatures or extreme partial load. Standard!

⇒ Internal main switch

avoids unauthorised operation

⇒ Filtration

according ZTV-ING part 3 section 4



Portable-Control 2

⇒ Fully protected digital display

with tamper proof hour counter

⇒ Automatic protection in case of malfunction:

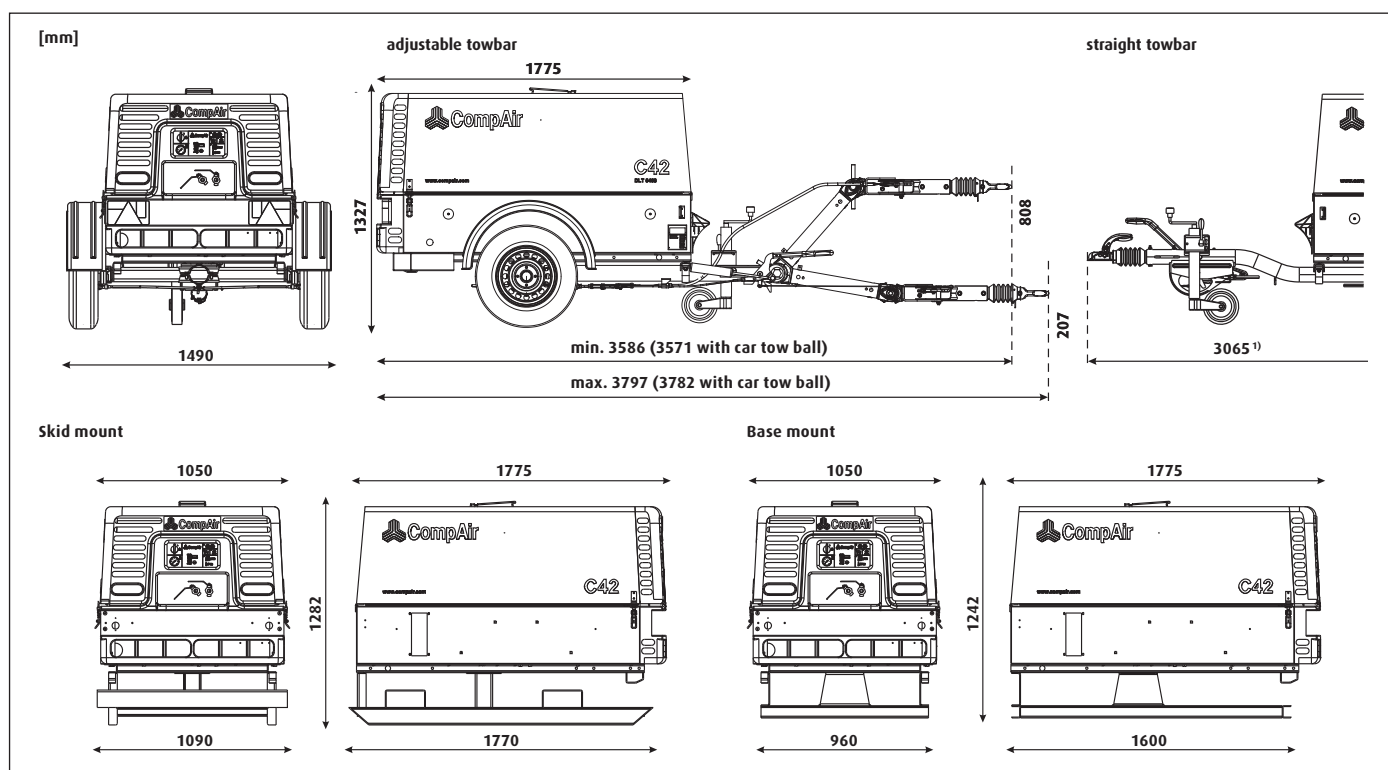
- Compressor temperature too high
- Engine oil pressure too low
- Engine temperature too high
- Rotational speed too low
- Battery voltage too low
- Fuel level too low
- Cooling water too low

⇒ Indication lamps for

- Preheat
- Operation
- Automatic emergency stop after malfunction

⇒ Start by rotary switch

to avoid loss of time caused by lost ignition key



Options on fold out page →

Product range		DLT 0408				
Type		C35-10	C38	C42	C50	
Operational data						
Volume flow ¹⁾ (Optional 9 or 15 kVA Generator)	m ³ /min	3.5	3.8	4.2	5.0	
Operating pressure	bar	10	7	7	7	
Compressed air outlet		2 x 3/4"				
Engine						
Yanmar 4TNV88BKCP						
Installed engine power	kW	35.0	35.0	35.0	35.0	
Engine off load speed	1/min	1600	1600	1600	1600	
Engine full load speed	1/min	2800	2800	2800	2800	
Fuel tank capacity	l	60	60	60	60	
Operating weight ²⁾						
Portable compressor	adjustable towbar braked	kg	810	810	866	
	adjustable towbar unbraked	kg	745	745	–	
	straight towbar braked	kg	775	775	835	
	straight towbar unbraked	kg	740	740	800	
Base mount	kg	685	685	685	780	
Skid mount	kg	740	740	740	800	
Dimensions						
Length	adjustable towbar braked	mm	3586 – 3797	3586 – 3797	3586 – 3797	3586 – 3797
	straight towbar braked	mm	3065	3065	3065	3065
Width	mm	1490	1490	1490	1490	
Height (adjustable towbar, braked)	mm	1327	1327	1327	1327	
Length of canopy	mm	1775	1775	1775	1775	
Sound level						
Power sound level ³⁾	dB(A) LWA	98	98	98	98	
Pressure sound level ⁴⁾	dB(A) LPA	69	69	69	69	

¹⁾ Acc. to ISO 1217 Ed. 4 2009 Annex D ²⁾ Operating weight without options ³⁾ Legal limiting values of EC directive acc. to 2000/14/EC
⁴⁾ Noise level acc. to PNEUROP PN8NTC2.2 at 7 m

C55-14 to C76

⇒ 5.5 to 7.6 m³ / min

Product range DLT 0704

These proven and tested compressors stand out for their low fuel consumption and high efficiency. Thanks to a wide pressure range up to 14 bar, this compact compressor range is extremely versatile and meets many requirements of numerous applications. The compressors have enough storage capacity for two hammers, picks or any other pneumatic tools. Separate engine and compressor air filters guarantee a long service life. All of the service points are strategically located for easy access.

⇒ Cummins B3.3TAA

quiet-running and low vibration 4-cylinder diesel engine

⇒ Soft start

extends the engine life time by reducing engine stress during start-up and allowing the engine to reach running temperature with the compressor unloaded

⇒ Robust plastic protection

protects the control panel and lighting elements



⇒ Easy access hinged hood

with two robust gas struts, the hood is light and easy to open, offering excellent accessibility for easy maintenance

⇒ Bolted single sheets

The steel canopy is mass galvanised and electrostatically coated, offering excellent protection against damage and corrosion. With bolted single sheets, exchange is both quick and easy

⇒ Air filters

separate air filters for engine and air compressor

⇒ Fuel filter

fuel contamination is controlled by high quality filter which includes water separation. In addition to this every compressor has a manual fuel pump as standard

⇒ Progressive volume flow regulation

engine speed and air intake regulation are automatically adapted to compressed air requirement

⇒ Air end with spin-on oil filter cartridge

for quick and easy maintenance

⇒ Transparent plastic fuel tank

allows direct visual level indication and quick contamination checks

⇒ Central lifting eye

for easy handling by crane

⇒ Operational reliability

designed for -10 to +50°C ambient temperature

⇒ Oil temperature regulation valve

ensures safe operation of compressor at low ambient temperatures or extreme partial load

⇒ Internal main switch

avoids unauthorised operation

⇒ Filtration

according ZTV-ING part 3 section 4



Portable-Control 2

⇒ Fully protected digital display

with tamper proof hour counter

⇒ Automatic protection in case of malfunction:

- Compressor temperature too high
- Engine oil pressure too low
- Engine temperature too high
- Battery voltage too low
- Fuel level too low

⇒ Indication lamps

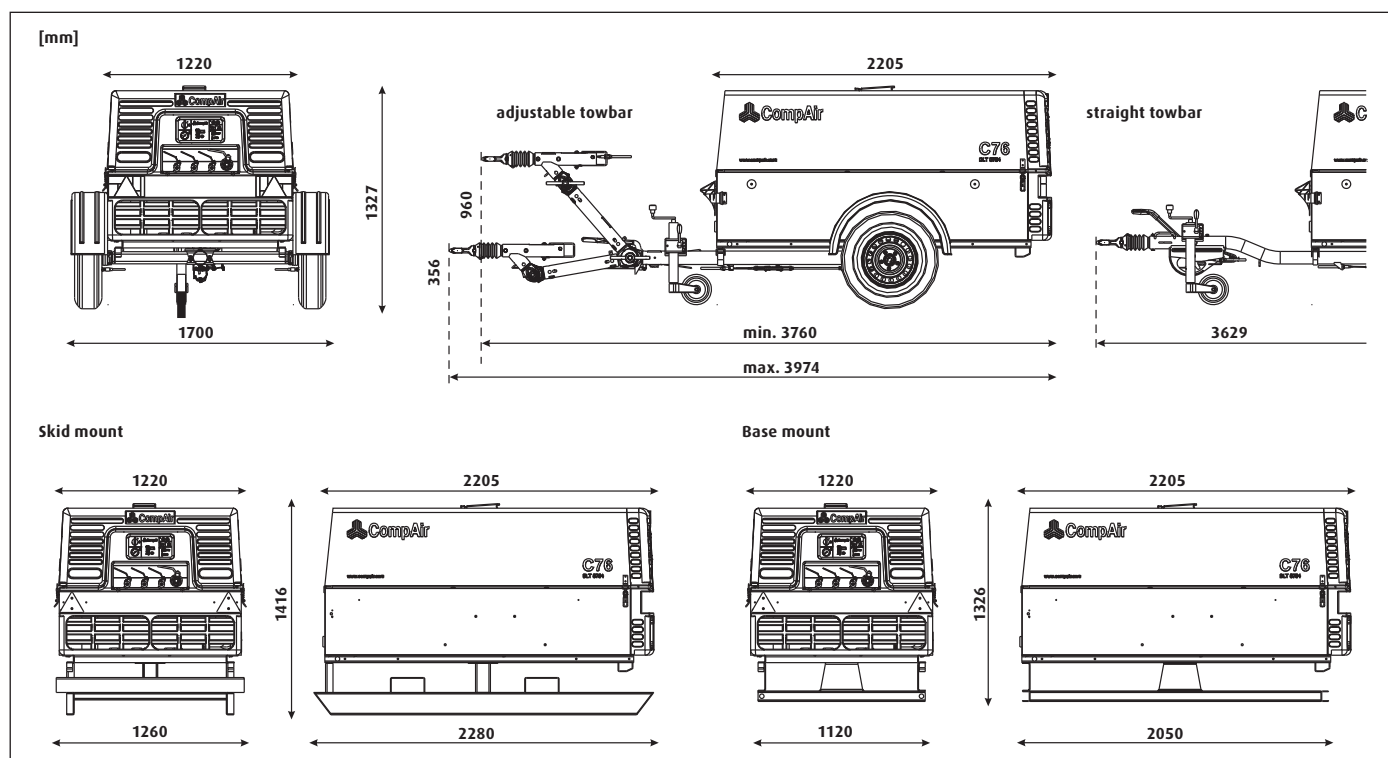
for automatic emergency stop in case of malfunction

⇒ Start by rotary switch

to avoid loss of time caused by lost ignition key

⇒ Internal main switch

avoids unauthorised operation



Product range		DLT 0704				
Type		C55-14	C60-12	C65-10	C65HS	C76
Operational data						
Volume flow ¹⁾ (Optional 9 or 15 kVA Generator)	m ³ /min	5.5	6.0	6.5	6.5	7.6
Operating pressure	bar	14	12	10	7	7
Compressed air outlet		3 x 3/4" + 1 x 1 1/2"				
Engine		Cummins B3.3 TAA				
Installed engine power	kW	63	63	63	63	63
Engine off load speed	1/min	1700	1700	1700	1700	1700
Engine full load speed	1/min	2600	2600	2600	2600	2600
Fuel tank capacity	l	140	140	140	140	140
Operating weight²⁾						
Portable compressor	adjustable towbar braked	kg	1200	1200	1200	1200
	straight towbar braked	kg	1160	1160	1160	1160
Base mount	kg	1070	1070	1070	1070	1070
Skid mount	kg	1100	1100	1100	1100	1100
Dimensions						
Length	adjustable towbar braked	mm	3760–3974	3760–3974	3760–3974	3760–3974
	straight towbar braked	mm	3629	3629	3629	3629
Width	mm	1700	1700	1700	1700	1700
Height	mm	1440	1440	1440	1440	1440
Length of the canopy	mm	2205	2205	2205	2205	2205
Sound level						
Power sound level ³⁾	dB(A) LWA	99	99	99	99	99
Pressure sound level ⁴⁾	dB(A) LPA	71	71	71	71	71

¹⁾ Acc. to ISO 1217 Ed. 4 2009 Annex D ²⁾ Operating weight without options ³⁾ Legal limiting values of EC directive acc. to 2000/14/EC

⁴⁾ Noise level acc. to PNEUROP PN8NTC.2.2 at 7 m

AirPlus
 Options on fold out page →

C85-14 to C140-9

⇒ 8.5 to 13.3 m³ / min

Product range DLT 1303

Designed for the toughest site conditions, whether it's for road building, civil engineering or restoration work, this range of compressors offers outstanding reliability, performance and compressed air quality, with fully accessible doors maintenance is also made easy. The compressor as standard is equipped with numerous options, offering a substantial cost saving to the customer. Thanks to the inclusion of two batteries reliable running and performance can be achieved even in the coldest winter. The long life cycle of these compressors is further enhanced by additional engine management protection. Diesel engines from the QSB 4.5 range from Cummins, a world leader in diesel engine production, are fitted with electronic fuel injection to meet all the European standards with regards to exhaust emissions for the coming years.

⇒ Cummins QSB 4.5

quiet-running and low vibration 4-cylinder diesel engine

⇒ Soft start

extends the engine life time by reducing engine stress during start-up and allowing the engine to reach running temperature with the compressor unloaded

⇒ Fuel filter

fuel contamination is controlled by high quality filter which includes water separation. In addition to this every compressor has a manual fuel pump as standard



⇒ Easy access side wing doors

offering excellent accessibility for easy maintenance

⇒ 24 V electric system

ensures sufficient power reserves in case of cold starts and a safe run-up ability

⇒ Air filters

separate air filters for engine and air compressor

⇒ Robust plastic protection

protects the control panel and lighting elements

⇒ Progressive volume flow regulation

engine speed and air intake regulation are automatically adapted to compressed air requirement

⇒ Air end with spin-on oil filter cartridge

for quick and easy maintenance

⇒ Oil temperature regulation valve

ensures safe operation of compressor at low ambient temperatures or extreme partial load

⇒ Central lifting eye

for easy handling by crane

⇒ Operational reliability

designed for -10 to +50°C ambient temperature

⇒ Sheet steel fuel tank

with direct visual level indication

⇒ Internal main switch

avoids unauthorised operation

⇒ Filtration

according ZTV-ING part 3 section 4



Portable-Control 3

⇒ Digital display

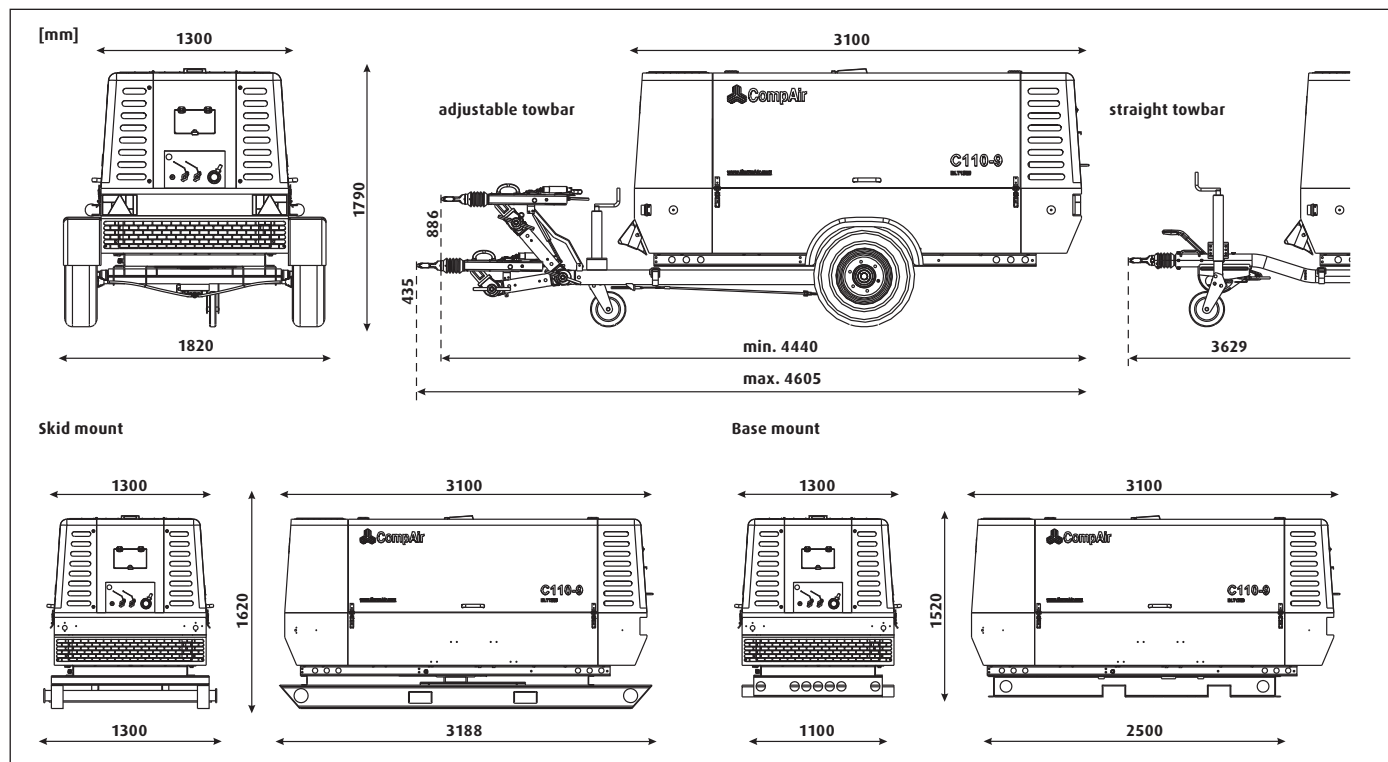
all the necessary operation data at a glance

⇒ Quick and easy pressure setting

⇒ Automatic protection in case of malfunction:

- Engine oil pressure too low
- Cooling water temperature too high
- Intercooler temperature too high
- Aired temperature too high
- Engine Cooling water level too low
- Fuel level too low
- Water in fuel pre filter
- Load control (v-belt break, alternator defect)
- Hardware errors

⇒ Fault memory with detailed operating data



Product range	DLT 1303							
Type	C85-14	C95-12	C110-9	C125	C105-14	C115-12	C140-9	
Operational data								
Volume flow ¹⁾	m ³ /min	8.5	9.5	11.3	12.5	10.5	11.5	13.3
Operating pressure	bar	14	12	8.6	7	14	12	8.6
Compressed air outlet		2 x 3/4" und 1 x 2"						
Engine								
Cummins QSB 4.5								
Installed engine power	kW	97	97	97	97	119	119	119
Engine off load speed	1/min	1300	1300	1300	1300	1300	1300	1300
Engine full load speed	1/min	2300	2300	2300	2300	2200	2200	2200
Fuel tank capacity	l	210	210	210	210	210	210	210
Operating weight²⁾								
Portable compressor								
	adjustable towbar braked	kg	1980	1980	1980	1980	1980	1980
	straight towbar braked	kg	1950	1950	1950	1950	1950	1950
Base mount	kg	1810	1810	1810	1810	1810	1810	1810
Skid mount	kg	1920	1920	1920	1920	1920	1920	1920
Dimensions								
Length	adjustable towbar braked	mm	4440–4605	4440–4605	4440–4605	4440–4605	4440–4605	4440–4605
	straight towbar braked	mm	3629	3629	3629	3629	3629	3629
Width	mm	1820	1820	1820	1820	1820	1820	1820
Height	mm	1790	1790	1790	1790	1790	1790	1790
Length of the canopy	mm	3100	3100	3100	3100	3100	3100	3100
Sound level								
Power sound level ³⁾	dB(A) LWA	99	99	99	99	99	99	99
Pressure sound level ⁴⁾	dB(A) LPA	70	70	70	70	70	70	70

¹⁾ Acc. to ISO 1217 Ed. 4 2009 Annex D

²⁾ Operating weight without options

³⁾ Legal limiting values of EC directive acc. to 2000/14/EC

⁴⁾ Noise level acc. to PNEUROPN8NTC2.2 at 7 m

C200TS-24 to C270TS-9

⇒ 20.0 to 27.0 m³ / min

Product range DLT 2702

The TurboScrew compressors with their unique bi-turbo technology provide class-leading diesel efficiency, the lowest weight of 3,500 kg and super-clean performance in accordance with EC directive 97/68/EG Stage 4 final.

The new range has been equipped with an award winning SCRT® – Selective Catalytic Reduction Technology system which is capable of removing almost all nitrogen oxide emissions from diesel exhaust gases.



⇒ Easy access side wing doors

offering excellent accessibility for easy maintenance

⇒ Cummins QSB 6.7

robust 6-cylinder turbo-charged diesel engine with an additionally integrated second turbo-charger for the pre-compression of the inlet air of the compressor.

⇒ SCRT® System

Simultaneous reduction of soot particles and nitrogen oxides.



TurboScrew Technology

CompAir's TurboScrew compression system is a radical new approach to energy conservation. It uses a Cummins turbo assisted engine powering a CompAir screw compressor unit with the addition of an engine exhaust gas drive turbine, pre-compressing the suction inlet air before it enters the compression chamber.



⇒ 24 V electric System

ensures sufficient power reserves in case of cold starts and a safe run-up ability

⇒ Bolted single sheets

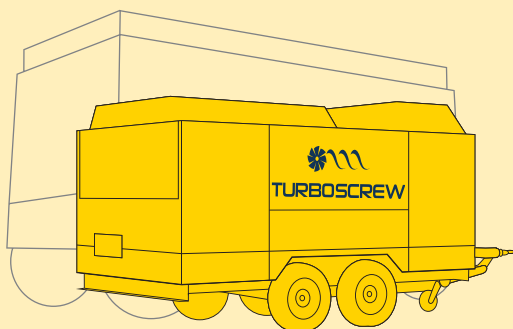
The steel canopy is mass galvanised and electrostatically coated, offering excellent protection against damage and corrosion. With bolted single sheets, exchange is both quick and easy

⇒ Soft start

extends the engine life time by reducing engine stress during start-up and allowing the engine to reach running temperature with the compressor unloaded

⇒ Small footprint & one of the lightest in class

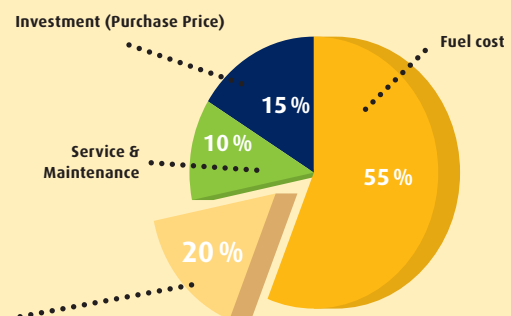
The lightweight TurboScrew compressors can be towed by a vehicle with a maximum towing weight of 3,500kg and is great for getting to hard-to-access sites.



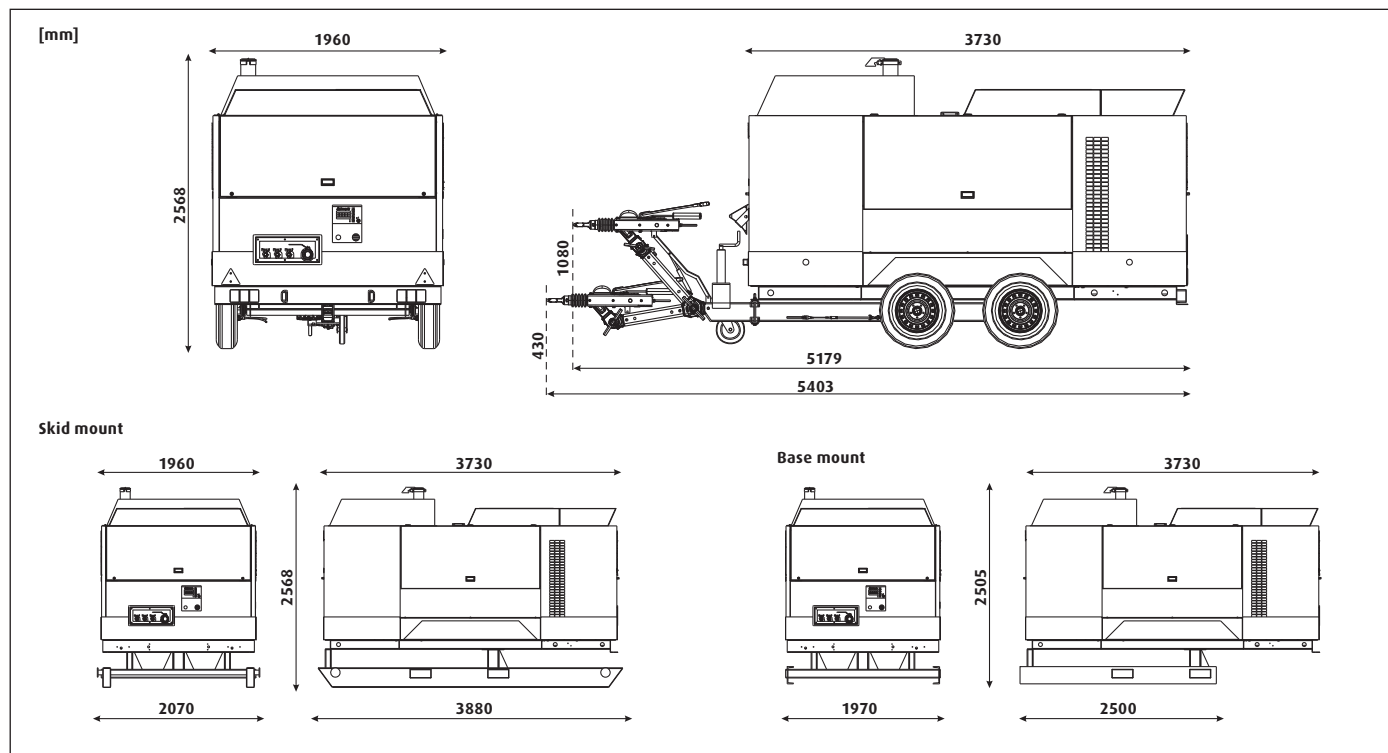
⇒ Potential Fuel Savings

Based on average site running conditions, over lifetime of 10,000 hours, fuel savings of up to 30% can be achieved when compared with equivalent conventional compressors of this output range. This represents up to 20% of total lifetime costs.

Your benefit: significant cost savings!



TurboScrew fuel savings = 20% of lifetime cost



Product range	DLT 2702									DLT 2702 HP		
	C200T S-14	C210TS-12	C220TS-10	C230TS-9	C240TS-14	C250TS-12	C260TS-10	C270TS-9	C200TS-24	C210TS-21	C230TS-17	
Operational data												
Volume flow ¹⁾	m ³ /min	20	21	22	23	24	25	26	27	20	21	23
Operating pressure	bar	14	12	10	9	14	12	10	9	24	21	17
Compressed air outlet	3 x 3/4" and 1 x 2"									1 x 2"		
Engine	Cummins QSB 6.7									Cummins QSB 6.7		
Installed engine power	kW	180	180	180	180	224	224	224	224	224	224	224
Engine off load speed	1/min	1000	1000	1000	1000	1000	1000	1000	1000	1000	1000	1000
Engine full load speed	1/min	2400	2400	2400	2400	2400	2400	2400	2400	2400	2400	2400
Fuel tank capacity	l	350	350	350	350	350	350	350	350	350	350	350
Adblue tank capacity	l	38	38	38	38	38	38	38	38	38	38	38
Operating weight²⁾												
Portable compressor adjustable towbar braked	kg	3450	3450	3450	3450	3490	3490	3490	3490	3490	3490	3490
Skid mount	kg	3545	3545	3545	3545	3585	3585	3585	3585	3585	3585	3585
Base mount	kg	3385	3385	3385	3385	3425	3425	3425	3425	3425	3425	3425
Dimensions												
Length	mm	5179-5403	5179-5403	5179-5403	5179-5403	5179-5403	5179-5403	5179-5403	5179-5403	5179-5403	5179-5403	5179-5403
Width	mm	1960	1960	1960	1960	1960	1960	1960	1960	1960	1960	1960
Height	mm	2568	2568	2568	2568	2568	2568	2568	2568	2568	2568	2568
Length of the canopy	mm	3730	3730	3730	3730	3730	3730	3730	3730	3730	3730	3730
Sound level												
Power sound level ³⁾	dB(A) LWA	100	100	100	100	100	100	100	100	100	100	100
Pressure sound level ⁴⁾	dB(A) LPA	71	71	71	71	71	71	71	71	71	71	71

¹⁾ Acc. to ISO 1217 Ed. 4 2009 Annex D

²⁾ Operating weight without options

³⁾ Legal limiting values of EC directive acc. to 2000/14/EC

⁴⁾ Noise level acc. to PNEUROP PN8NTC2.2 at 7 m

AirPlus Many options for many applications

Options for all types of C14 to C270TS-9

+ Optional ✓ Standard - Not available

Type	Compressed Air Quality			Compressor Equipment				Integrated Generator				Engine Accessories		
	Aftercooler	Filtration	Oiler	Tool-Box	Hose reel	Bunded bottom box	Oil thermostatic valve	6 kVA at 110V 50Hz	7 kVA at 110V 50Hz	9 kVA /16 A max. at 230/400V 50Hz	15 kVA/20 A max. at 230/400V 50 Hz	Diesel filter with water separator	Spark arrestor	Engine shut-down at over-speed from flammable gases
DLT 0101														
C10-12	-	-	+	-	-	-	-	-	-	-	-	-	-	-
C12-10	-	-	+	-	-	-	-	-	-	-	-	-	-	-
C14	-	-	+	-	-	-	-	-	-	-	-	-	-	-
DLT 0206														
C20	+	-	+	+	+	+	+	+	-	+	-	✓	+	+
C25	+	-	+	+	+	+	+	-	-	-	-	✓	+	+
C30	+	-	+	+	+	+	+	+	-	+	-	✓	+	+
DLT 0408														
C35-10	+	+	+	+	-	-	✓	-	+	+	+	✓	+	+
C38	+	+	+	+	-	-	✓	-	+	+	+	✓	+	+
C42	+	+	+	+	-	-	✓	-	+	+	+	✓	+	+
C50	+	+	+	+	-	-	✓	-	+	+	+	✓	+	+
DLT 0704														
C55-14	+	+	+	+	+	+	✓	-	+	+	+	✓	+	+
C60-12	+	+	+	+	+	+	✓	-	+	+	+	✓	+	+
C65-10	+	+	+	+	+	+	✓	-	+	+	+	✓	+	+
C76	+	+	+	+	+	+	✓	-	+	+	+	✓	+	+
DLT 1303														
C85-14	+	+	+	-	-	-	✓	-	-	-	-	✓	+	-
C95-12	+	+	+	-	-	-	✓	-	-	-	-	✓	+	-
C110-9	+	+	+	-	-	-	✓	-	-	-	-	✓	+	-
C125	+	+	+	-	-	-	✓	-	-	-	-	✓	+	-
C105-14	+	+	+	-	-	-	✓	-	-	-	-	✓	+	-
C115-12	+	+	+	-	-	-	✓	-	-	-	-	✓	+	-
C140-9	+	+	+	-	-	-	✓	-	-	-	-	✓	+	-
DLT 2702														
C200TS-14	+	+	-	-	-	-	✓	-	-	-	-	✓	-	-
C210TS-12	+	+	-	-	-	-	✓	-	-	-	-	✓	-	-
C220TS-10	+	+	-	-	-	-	✓	-	-	-	-	✓	-	-
C230TS-9	+	+	-	-	-	-	✓	-	-	-	-	✓	-	-
C240TS-14	+	+	-	-	-	-	✓	-	-	-	-	✓	-	-
C250TS-12	+	+	-	-	-	-	✓	-	-	-	-	✓	-	-
C260TS-10	+	+	-	-	-	-	✓	-	-	-	-	✓	-	-
C270TS-9	+	+	-	-	-	-	✓	-	-	-	-	✓	-	-
C200TS-24	-	-	-	-	-	-	✓	-	-	-	-	✓	-	-
C210TS-21	-	-	-	-	-	-	✓	-	-	-	-	✓	-	-
C230TS-17	-	-	-	-	-	-	✓	-	-	-	-	✓	-	-

Integrated Generator

- Electronically controlled synchronous generator
- Protection IP 54

Electronic Controller

- Insulation monitoring
- Output voltage regulation
- Temperature regulation limit
- Two-mode switch - constant and variable motor speed



AirPlus ➔ Many options for many applications

Options for all types of C14 to C270TS-9



Breakers



Sand-blasting



Ice-blasting

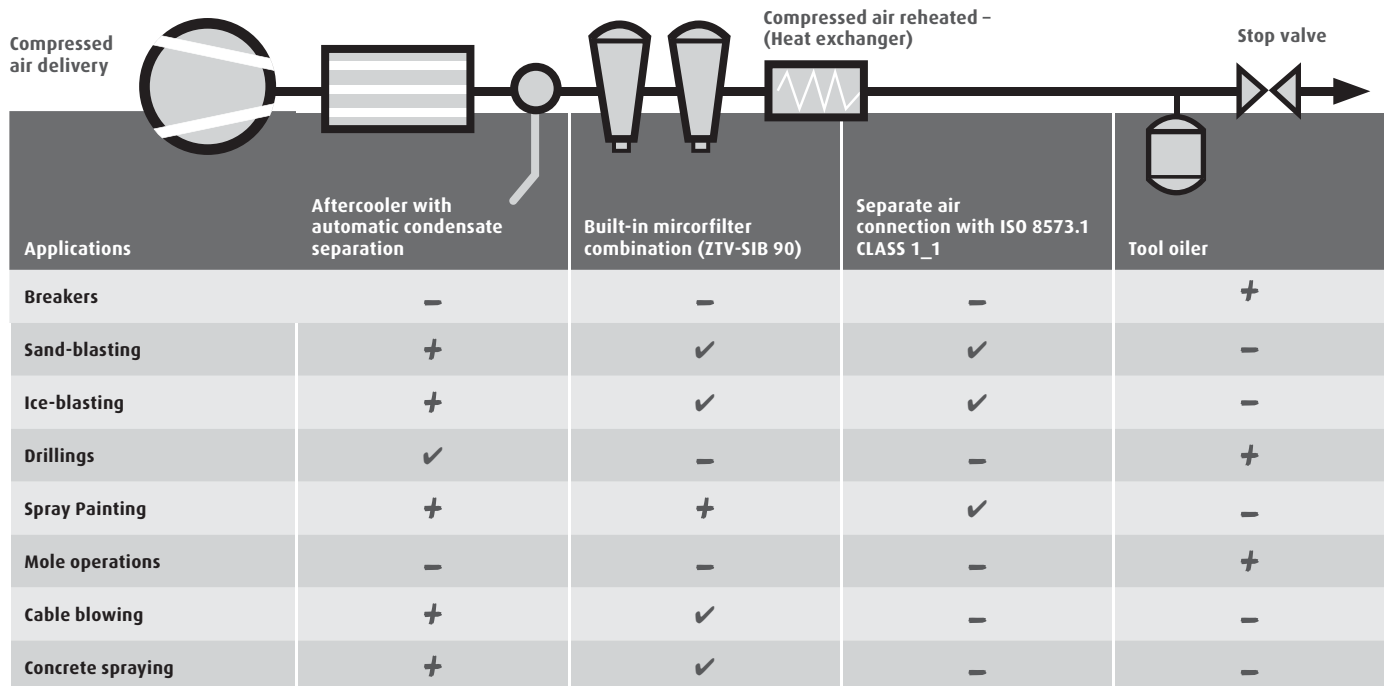


Drillings



Concrete spraying

➔ Schematic display of all available air treatment options



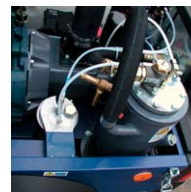
+ recommended ✓ depending on manufacturer and application - not needed

AirPlus Optionen



Built-in aftercooler

with automatic water separation. Reduces water content in the compressed air. An additional heat exchanger uses compressor oil to heat the compressed air which protects the tools from freezing.



Integrated Oiler

for optimised lubrication of the pneumatic tools

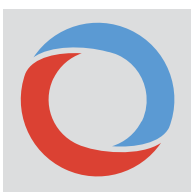
Built-in microfilter combination

(in addition to above mentioned aftercooler)
Air treatment with microfilters according to ISO 8573.1 standards including ZTV-ING 90 with residual oil content of < 0.01 ppm.



Hose reel

with 20 m light self-supporting hose; protects the air hose and enables fast set up of tools at site



Oil temperature regulation valve

ensures safe operation of compressor at low ambient temperatures. Prevents compressed air tools from freezing.

Standard from C35-10



Special paint colour and labelling to customer specification

Provides distinctive site identity and assists in traceability in the event of loss or theft

Global experience – truly local service

With over 200 years of engineering excellence, the CompAir brand offers an extensive range of highly reliable, energy efficient compressors and accessories to suit all applications.

An extensive network of dedicated CompAir sales companies and distributors across all continents provide global expertise with a truly local service, ensuring our advanced technology is backed up with the right support.

As part of the worldwide Gardner Denver operation, CompAir has consistently been at the forefront of compressed air systems development, culminating in some of the most energy efficient and low environmental impact compressors on the market today, helping customers achieve or surpass their sustainability targets.



Portable Compressors (EU & Non EU Range)

C14–C270TS-9

1 to 27 m³/min from 7 to 24 bar

Air Plus offers many variations and options:

- Aftercooler
- Ultra-fine filters
- Integrated generator
- Bunded bottom box
- Hose reel
- Exhaust spark arrestor
- Exhaust gas particulate filter
- Customer colours

Tools

- Chipping Hammers
- Rockdrills
- Pickhammers
- Breakers

Vibration damped tools:

- Rockdrills
- Pickhammers
- Breakers

CompAir policy is one of continuous improvement and we therefore reserve the right to alter specifications and prices without prior notice. All products are sold subject to the Company's conditions of sale.

Accessories:

- Large selection of pointed chisel, slat chisel and spade
- In line lubricator
- Water separator with or without oiler
- Air hoses

Services

- Technical support and advice
- Worldwide service network
- Reliable supply of spare parts
- Individual customer solutions
- Seminars and trainings



www.compair.com • sales@compair.com