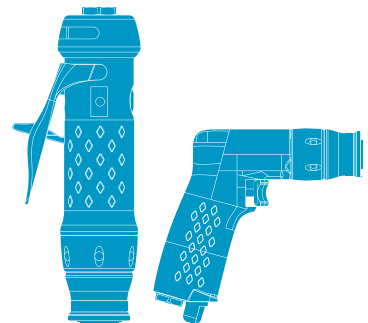




MODULAR DRILLS

Modularity, Reliability and flexibility – A complete range with a total solution.



Atlas Copco

MODULAR DRILLS

Handheld drilling has never been more flexible.

It is never just a drill. Whether you are building an aircraft, assembling a car or manufacturing a windmill, your choice of drilling tools determines how accurate the result becomes.

The correct angle and point of entry is an important issue – with a surprisingly simple solution. Atlas Copco offers a complete tool, with one powerful motor unit, completely

interchangeable with different heads, giving you a total solution. Whether it is steel or composite – you will have a perfect result.

The lubrication free motor means a cleaner working environment. A complete SEAL module keeps dust out of the motor, and the adjustable air exhaust directs the cool air away from the operator.



The Pistol Motor models

With a range of six pistol motor models you will have no trouble finding a tool that suits your exact need.

The rubber grip makes sure it lies perfectly in hand with wings and a round edged trigger to better fit and steady the finger. The smaller rear end and the handle angle is optimal for a comfortable working position.

Features

- A** Lubrication free motor means a cleaner working environment.
- B** A small rear end for a good fit to the hand.
- C** Comfortable rubber grip.
- D** Correct handle angle for a comfortable working position.
- E** Adjustable air exhaust directs the cool air away from the operator.
- F** Trigger with rounded edges for a good fit to the finger.
- G** Speed control trigger.
- H** Wings guide the operators' finger for a steady grip.
- I** Dust and dirt stay out of the motor thanks to a complete SEAL module.
- J** Safety Trigger to avoid unintended start.
- K** Speed adjuster.

LBD16M



The Straight Motor models
With a range of six straight motor models – three models with low speed motor and three with high speed – you can be sure to meet a perfect match.

The rubber grip and safety trigger make sure you avoid unintended starts and the reliable motor lies comfortable in hand. The operator can easily adjust speed and power for optimized drilling.



Drilling behind a panel, at an angle...not a problem.

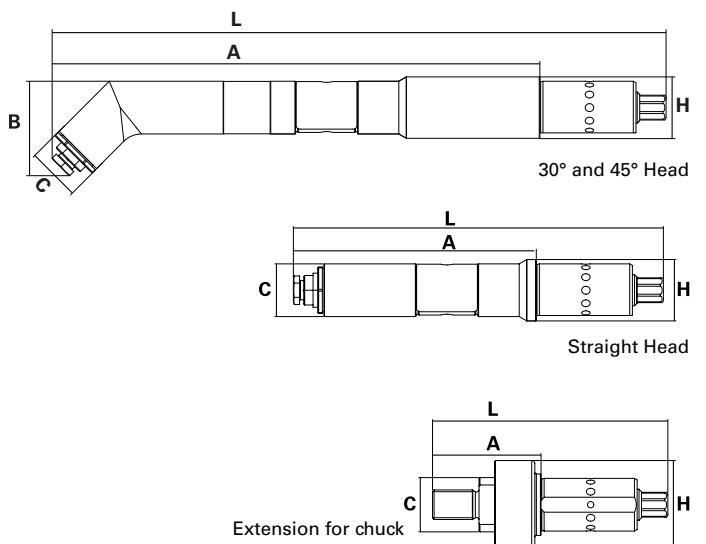
A wide variety of angle heads guarantee you to find an optimal solution for your drilling needs. All angle heads in the BHM-series have a freewheel – making it easy to fit them into the motor unit.



1. BHM90EZC-6-6
2. BHM90ZC-6-6
3. BHM90EZT-1-4
4. BHM90ZC-5-0

MODULAR DRILL HEADS-DIMENSIONS

Model	P/N	Angle Head mm				
		A	B	C	L	H
Straight Heads						
BHM0C-5-0	8421 0123 43	78	-	17	119	19.8
BHM0T-1-4	8421 0123 44	78	-	17	119	19.8
30° Heads						
BHM30C-5-0	8421 0123 20	120.4	25	17	161	19.8
BHM30C-6-6	8421 0123 15	127.3	32.3	17	168	19.8
BHM30EC-5-0	8421 0123 28	160.4	25.2	17	201	19.8
BHM30T-1-4	8421 0123 21	121.1	26.4	17	161.6	19.8
BHM30ET-1-4	8421 0123 29	161.1	26.4	17	201.8	19.8
45° Heads						
BHM45C-5-0	8421 0123 10	117.3	30.5	17	158	19.8
BHM45EC-5-0	8421 0123 18	157.3	30.5	17	198	19.8
BHM45T-1-4	8421 0123 11	118.2	31.4	17	159	19.8
BHM45ET-1-4	8421 0123 19	158.2	31.4	17	199	19.8
Extension - for chuck						
Extension	4110 1692 90	35	-	17.5	76	28.5





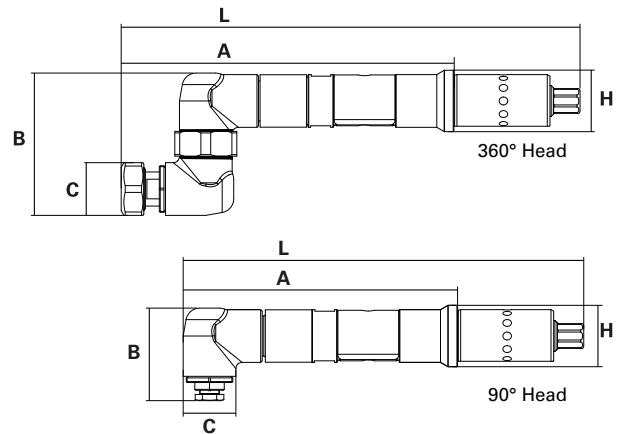
- 5. BHM0C-5-0
- 6. BHM90C-5-0
- 7. BHM30C-5-0
- 8. BHM30C-6-6
- 9. BHM45C-5-0
- 10. BHM90C-6-6
- 11. BHM90C-8-0

- 12. BHM90EC-5-0
- 13. BHM30ET-1-4
- 14. BHM30EC-6-6
- 15. BHM45EC-5-0
- 16. Extension for chuck



MODULAR DRILL HEADS-DIMENSIONS

Model	P/N	Angle Head mm				
		A	B	C	L	H
90° Heads						
BHM90SC-5-0	8421 0123 00	65.5	29.8	17	106.2	19.8
BHM90C-5-0	8421 0123 00	88.5	29.8	17	129.2	19.8
BHM90C-6-6	8421 0123 05	90	39.3	20	130.3	20
BHM90C-8-0	8421 0123 80	90	41.1	20	130.3	20
BHM90EC-5-0	8421 0123 08	128.5	29.8	17	169.2	19.8
BHM90T-1-4	8421 0123 01	88.5	30	17	129.2	19.8
BHM90LT-1-4	8421 0123 09	90	36	20	130.3	20
BHM90ET-1-4	8421 0123 09	128.5	30	17	169.2	19.8
360° Heads						
BHM90ZC-5-0	8421 0123 30	100.8	45.9	17	141.5	19.8
BHM90ZC-6-6	8421 0123 40	107.3	45.9	17	148	19.8
BHM90ZEC-5-0	8421 0123 38	140.8	45.9	17	181.5	19.8
BHM90ZT-1-4	8421 0123 31	101	45.9	17	141.5	19.8
BHM90ZT-1-4	8421 0123 39	141	45.9	17	181.5	19.8



MODULAR DRILL MOTOR UNITS

Model	Free speed ^a rpm	Motor speed ^b	Weight		Air consumption		Hose size		Air inlet thread BSP	Power		Ordering No.
			kg	lb	l/s	cfm	mm	in		W	hp	
Straight motor units												
LBD16M-005	500	600	0.57	1.25	8.7	18.4	6.3	1/4	1/4	300	0.4	8421 0122 05
LBD16M-010	1000	1200	0.57	1.25	8.7	18.4	6.3	1/4	1/4	300	0.4	8421 0122 10
LBD16M-018	1800	2100	0.57	1.25	8.7	18.4	6.3	1/4	1/4	300	0.4	8421 0122 18
LBD16M-032	3200	3600	0.45	1	8.7	18.4	6.3	1/4	1/4	300	0.4	8421 0122 32
LBD16M-045	4500	5100	0.45	1	8.7	18.4	6.3	1/4	1/4	300	0.4	8421 0122 45
LBD16M-055	5500	6200	0.45	1	8.7	18.4	6.3	1/4	1/4	300	0.4	8421 0122 55
Pistol motor units												
LBP16M-005	500	600	0.6	1.3	9.5	20.0	6.3	1/4	1/4	340	0.45	8421 0124 05
LBP16M-010	1000	1100	0.6	1.3	9.5	20.0	6.3	1/4	1/4	340	0.45	8421 0124 10
LBP16M-018	1800	2100	0.5	1.1	9.5	20.0	6.3	1/4	1/4	340	0.45	8421 0124 18
LBP16M-033	3300	3700	0.5	1.1	9.5	20.0	6.3	1/4	1/4	340	0.45	8421 0124 33
LBP16M-045	4500	5100	0.5	1.1	9.5	20.0	6.3	1/4	1/4	340	0.45	8421 0124 45
LBP16M-060	6000	6800	0.5	1.1	9.5	20.0	6.3	1/4	1/4	340	0.45	8421 0124 60

^aThe free speed is given when used with a 90° angle head. ^bMultiply this value with the Speed ratio to get the free speed of each angle head.

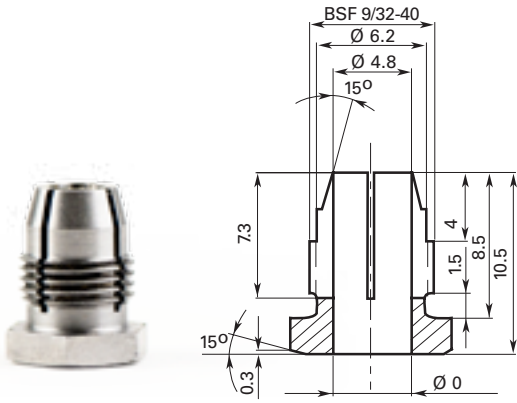
MODULAR DRILL HEADS

Model	Angle head	Weight		Collet cap.	Thread in	Speed ratio	Length		Ordering No.
		kg	lb				mm	in	
Angle heads with collet - Short									
BHM90SC-5-0	90°	0.2	0.5	5.0	–	14:16	65.5	2.58	8421 0123 02
Angle heads with collet - Standard									
BHM90C-5-0	90°	0.17	0.36	5.0	–	14:16	88.5	3.48	8421 0123 00
BHM90C-6-6	90°	0.24	0.55	6.6	–	14:16	89.6	3.53	8421 0123 05
BHM90C-8-0	90°	0.24	0.55	8.0	–	14:17	89.7	3.54	8421 0123 80
BHM45C-5-0	45°	0.20	0.44	5.0	–	14:15	117.3	4.62	8421 0123 10
BHM30C-5-0	30°	0.20	0.44	5.0	–	14:15	120.4	4.74	8421 0123 20
BHM30C-6-6	30°	0.20	0.44	6.6	–	14:15	127	5	8421 0123 15
BHM90ZC-5-0	360°	0.21	0.47	5.0	–	7:9	100.8	3.97	8421 0123 30
BHM90ZC-6-6	360°	0.21	0.47	6.6	–	7:9	108	4.25	8421 0123 40
Angle heads with collet - Extended									
BHM90EC-5-0	90°	0.26	0.58	5.0	–	14:16	128.5	5.06	8421 0123 08
BHM45EC-5-0	45°	0.29	0.64	5.0	–	14:15	157.3	6.19	8421 0123 18
BHM30EC-5-0	30°	0.29	0.64	5.0	–	14:15	160.4	6.31	8421 0123 28
BHM90EZC-5-0	360°	0.30	0.67	5.0	–	7:9	140.8	5.54	8421 0123 38
Angle head with internal thread - Standard									
BHM90T-1-4	90°	0.17	0.36	–	1/4"-28	14:16	88.5	3.48	8421 0123 01
BHM90LT-1-4	90°	0.23	0.52	–	1/4"-28	14:16	89.6	3.53	8421 0123 06
BHM45T-1-4	45°	0.20	0.44	–	1/4"-28	14:15	118.2	4.65	8421 0123 11
BHM30T-1-4	30°	0.20	0.44	–	1/4"-28	14:15	121.1	4.77	8421 0123 21
BHM90ZT-1-4	360°	0.21	0.47	–	1/4"-28	7:9	101	3.98	8421 0123 31
Angle head with internal thread - Extended									
BHM90ET-1-4	90°	0.26	0.58	–	1/4"-28	14:16	128.5	5.06	8421 0123 09
BHM45ET-1-4	45°	0.29	0.64	–	1/4"-28	14:15	157.9	6.22	8421 0123 19
BHM30ET-1-4	30°	0.29	0.64	–	1/4"-28	14:15	161.1	6.34	8421 0123 29
BHM90EZT-1-4	360°	0.30	0.67	–	1/4"-28	7:9	141	5.55	8421 0123 39
Straight short angle head									
BHM0C-5-0	0°	0.14	0.31	5.0	–	1:1	78	3.07	8421 0123 43
BHM0T-1-4	0°	0.14	0.31	–	1/4"-28	1:1	78	3.07	8421 0123 44



For more information regarding off-set drills, please contact Atlas Copco local sales representative

COLLETS FOR 5.0 MM CAPACITY HEADS (BHMC-5-0)

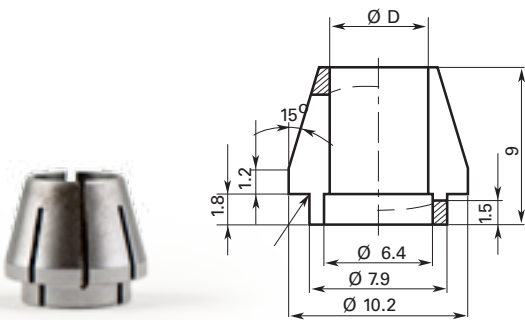


Collets for 5.0 mm (Thread BSF 9/32 -40)

Capacity mm	Ordering No.	Capacity mm	Ordering No.	Capacity mm	Ordering No.
1.0	4110 0438 01	2.9	4110 0438 08	4.1	4110 0438 25
1.5	4110 0438 02	3.0	4110 0438 09	4.2	4110 0438 26
1.8	4110 0438 28	3.1	4110 0438 10	4.3	4110 0438 36
2.0	4110 0438 03	3.2	4110 0438 11	4.4	4110 0438 37
2.1	4110 0438 29	3.3	4110 0438 12	4.5	4110 0438 16
2.2	4110 0438 04	3.4	4110 0438 33	4.6	4110 0438 38
2.3	4110 0438 30	3.5	4110 0438 13	4.7	4110 0438 39
2.4	4110 0438 05	3.6	4110 0438 24	4.8	4110 0438 18
2.5	4110 0438 06	3.7	4110 0438 34	4.9	4110 0438 40
2.6	4110 0438 07	3.8	4110 0438 14	5.0	4110 0438 27
2.7	4110 0438 31	3.9	4110 0438 35		
2.8	4110 0438 32	4.0	4110 0438 15		

Capacity in	Ordering No.	Capacity in	Ordering No.	Capacity in	Ordering No.
1/16	4110 0438 19	1/8	4110 0438 21	3/16	4110 0438 23
3/32	4110 0438 20	5/32	4110 0438 22		

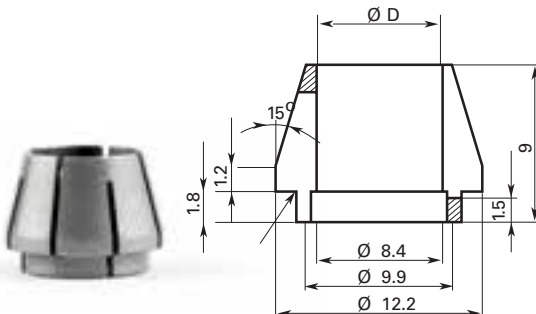
COLLETS FOR 6.6 MM CAPACITY HEADS (BHMC-6-6)



Collets for 6.6 mm

Capacity mm	Ordering No.	Capacity mm	Ordering No.	Capacity mm	Ordering No.
1.6	4110 1411 01	3.4	4110 1411 10	5.2	4110 1411 19
1.8	4110 1411 02	3.6	4110 1411 11	5.4	4110 1411 20
2.0	4110 1411 03	3.8	4110 1411 12	5.6	4110 1411 21
2.2	4110 1411 04	4.0	4110 1411 13	5.8	4110 1411 22
2.4	4110 1411 05	4.2	4110 1411 14	6.0	4110 1411 23
2.6	4110 1411 06	4.4	4110 1411 15	6.2	4110 1411 24
2.8	4110 1411 07	4.6	4110 1411 16	6.4	4110 1411 25
3.0	4110 1411 08	4.8	4110 1411 17	6.6	4110 1411 26
3.2	4110 1411 09	5.0	4110 1411 18		

COLLET FOR 8.0 MM CAPACITY HEAD (BHM90C-8-0)



Collets for 8 mm

Capacity mm	Ordering No.	Capacity mm	Ordering No.
6.8	4110 1812 01	7.6	4110 1812 05
7.0	4110 1812 02	7.8	4110 1812 06
7.2	4110 1812 03	8.0	4110 1812 07
7.4	4110 1812 04		



Extension for Chuck
(3/8"-24 UNF)



Safety Lever



Short Lever

ACCESSORIES INCLUDED

Key wrenches,
Collet or chuck with key
3 mm collet (5.0 collet capacity head)
6 mm collet (6.6 collet capacity head)
8 mm collet (8.0 collet capacity head)

SERVICE KITS

LBD16M	4081 0322 90
LBP16M	4081 0271 90

OPTIONAL ACCESSORIES

Extension for Chuck for model	Ordering No.
LBD16M, LBP16M	4110 1692 90
Safety lever for model	Ordering No.
LBD16M	4110 1787 90
Short lever for model	Ordering No.
LBD16M	4210 2308 04

COMMITTED TO SUSTAINABLE PRODUCTIVITY

We stand by our responsibilities towards our customers,
towards the environment and the people around us.
We make performance stand the test of time.
This is what we call – Sustainable Productivity.

www.atlascopco.com

Atlas Copco