



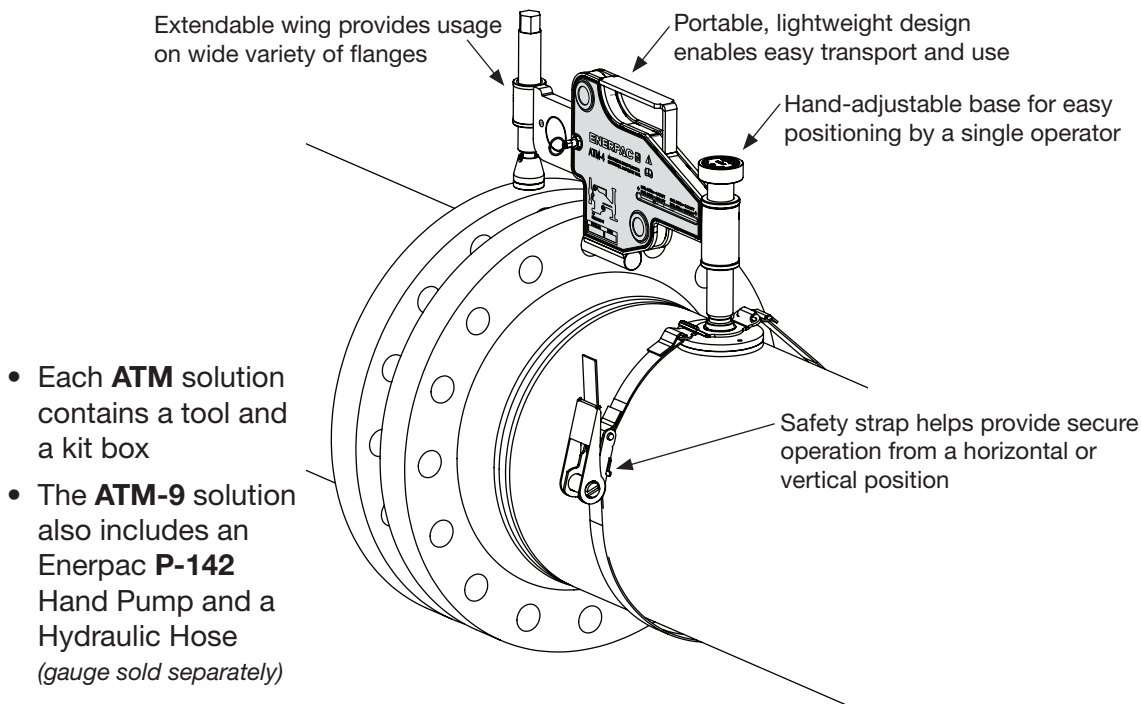
ATM-Series Flange Alignment Tools:

**The Practical Solution
to Flange Alignment**

ATM-Series Flange Alignment Tools

**Introducing a faster,
simpler and safer way
to align flanges.**

ATM-Series: The Practical Solution to Flange Alignment



- Each **ATM** solution contains a tool and a kit box
- The **ATM-9** solution also includes an Enerpac **P-142** Hand Pump and a Hydraulic Hose (gauge sold separately)

Illustration depicts ATM-4 solution

ATM Series

Extremely safe

High precision

	BENEFITS	FEATURES
FAST	Easy to transport and use	Portable, lightweight
	Reduces setup time	No need to set up chains, pulleys or rigs
	Reduces installation costs	Aligns flanges within minutes
SIMPLE	Possible to use in remote locations	Access to external power source not required
	Easy access into tight spaces	Compact
	Increases ease of installation, decreases labor costs	Design enables single operator to easily position and use
SAFE	Helps keep operator and bystanders safe	Safety strap fastens tool securely into place
	Reduces potential injuries associated with use of alternative solutions	Total flange alignment solution for large range of flanges

Maximum Lifting Force		Model Number	Minimum Bolt Size		Flange Wall Thickness (including gap between flanges)		Weight	
(ton*)	(kN)		(in)	(mm)	(in)	(mm)	(lbs)	(kg)
1	10	ATM-2	0.63	16	.55 - 3.29	14 - 82	3.5	1,6
4	40	ATM-4	0.95	24	1.18 - 5.23	30 - 133	19	8,6
10	90	ATM-9	1.24	31,5	3.66 - 9.00	93 - 228	32	14,5

* Measured in US (short) tons.

Your Enerpac Distributor:

e-mail: info@enerpac.com
Internet: www.enerpac.com

ENERPAC 
POWERFUL SOLUTIONS. GLOBAL FORCE.